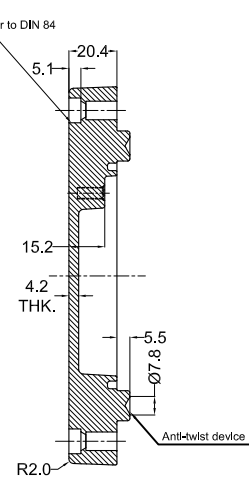
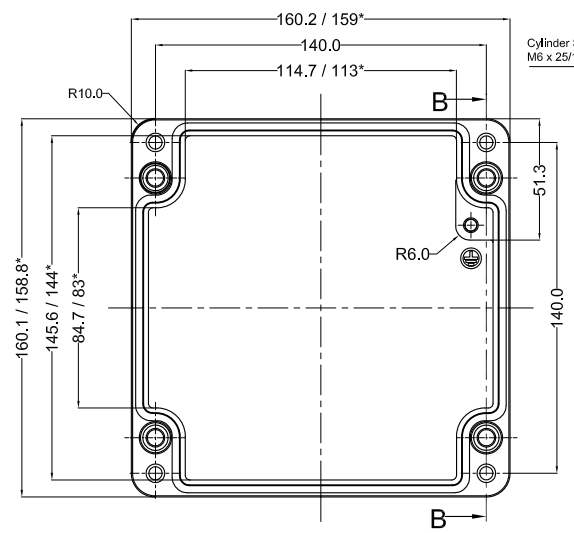
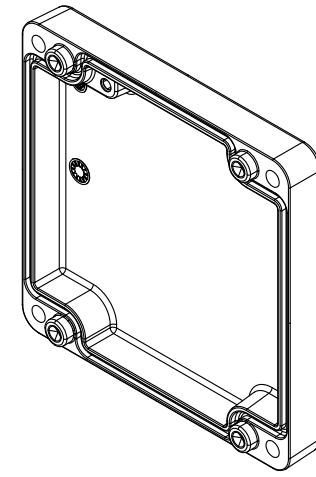


* = Conical form tapering downward.
 Untoleranced dimensions per GTA 13/5 - DIN 1688

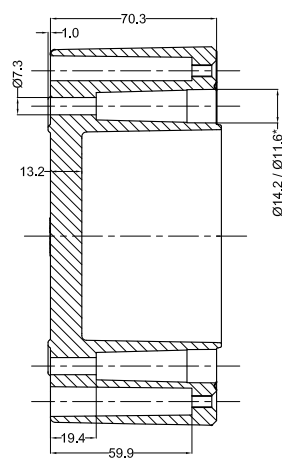
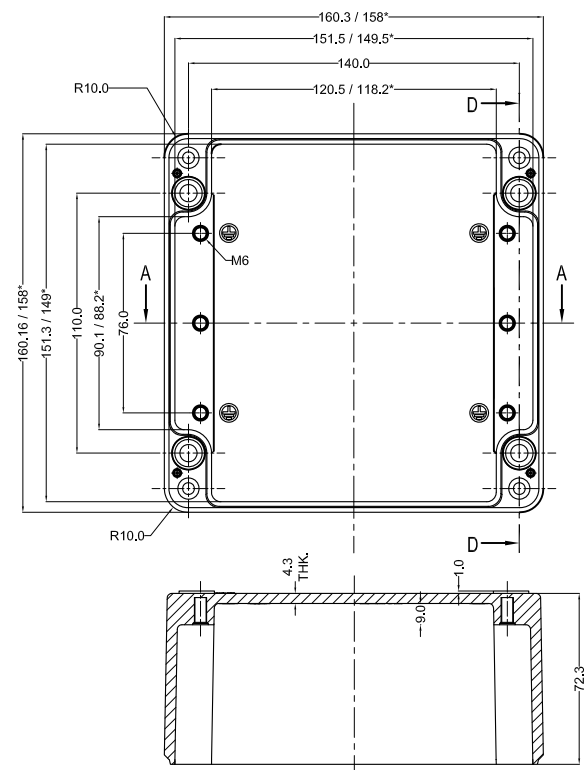
LID



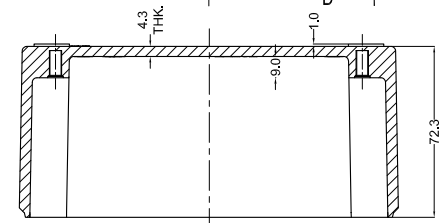
SECTION B-B



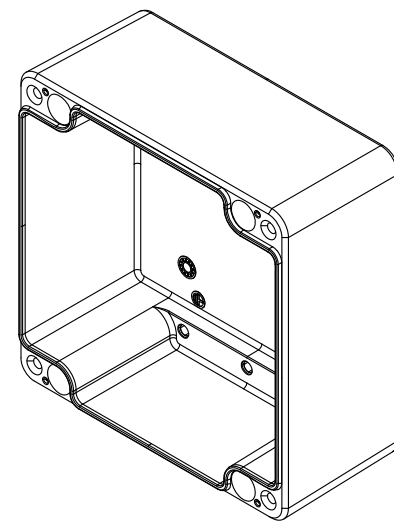
BASE



SECTION D-D



SECTION A-A



QUANTITY 1	MATERIAL :- AlSi12 DIN230	MACH.NAME -	DATE 08/06/12	SIGN MANOJ	NAME DRAWN
	WEIGHT: -	FINISH: NATURAL	08/06/12	PAVAN	CHECKED
				S. D.	APPROVED
TOLERANCE ±0.2	DIMENSIONS		SCALE	PARTNO. 0	
±0.2	HOLES	ALL DIMENSION ARE IN MM	REV	DRG. NO.	
±1.0°	ANGLES	-	0	AJB-16016090	