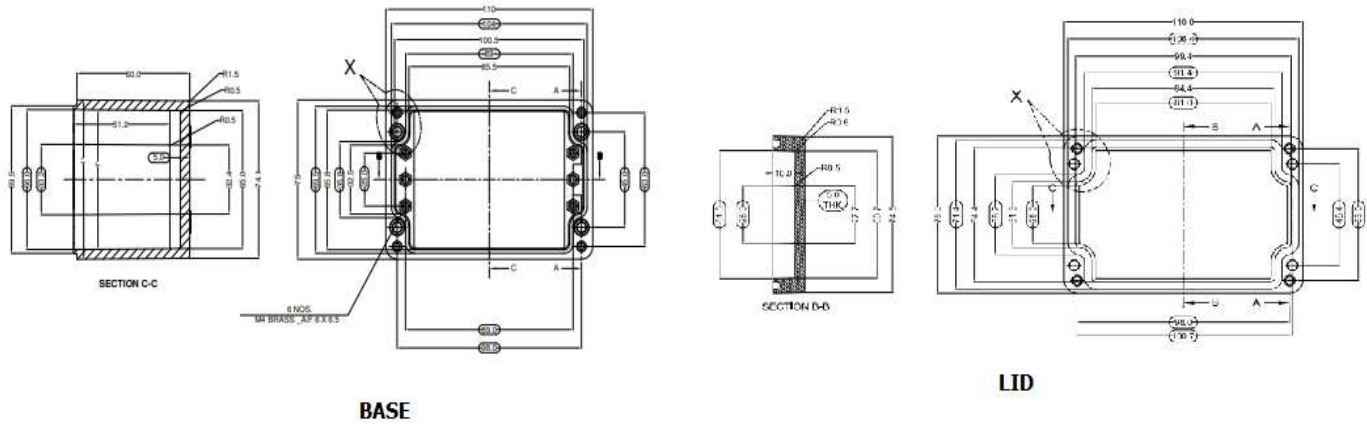


Datasheet

RS PRO Grey Fibreglass Reinforced Polyester Enclosure

Stock No: 190-4275



| PRODUCT SPECIFICATION - STANDARD | |
|----------------------------------|---------------|
| Dim (LxWxH): | 110 x 75 x 75 |
| Model No: | |
| Order No : | |

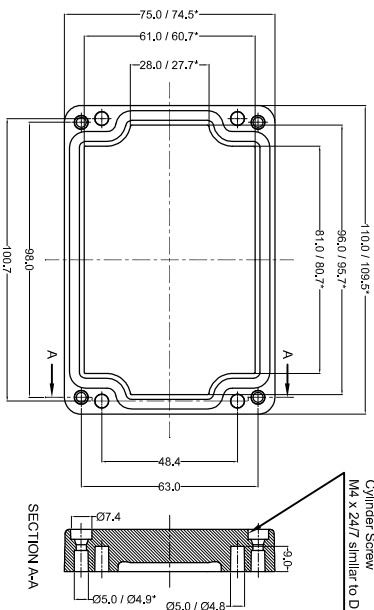
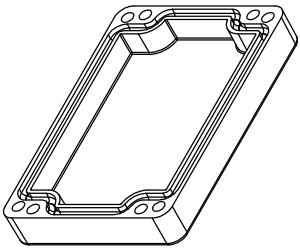


| TECHNICAL SPECIFICATION | GREY | BLACK |
|-------------------------|--|---|
| Colour | RAL 7000 | Similar to RAL 9011 |
| Material | Glass Fiber Reinforced Polyester | Glass Reinforced Polyester - Graphite Added |
| Gasket: | Neoprene | Silicone |
| Surface Resistance | > 10 ¹² Ohm | < 10 ⁹ Ohm |
| Service Temperature | - 40°C to +80°C | -60°C to +110°C |
| Lid Screw | Captive Screw - SS1.4301 (A2) - M4 | |
| Tightening Torque: | 1 to 2 Nm | |
| Protection | IP 66, EN 60529 | |
| Impact Strength | Impact Energy > 7 Joules, EN 60079 | |
| Flammability | Self Extinguishing, UL 94 V0 | |
| Process Control System | ISO 9001 - 2015, IEC 80079 - 34 - 2011 | |

| AVAILABLE ON DEMAND | |
|----------------------------|------|
| DIN Rail | TS15 |
| Mounting Plate | Yes |
| External Mounting Brackets | Yes |
| Hinges | No |
| Alter Lid Screw | Yes |
| Sealable Lid screw | Yes |



LID

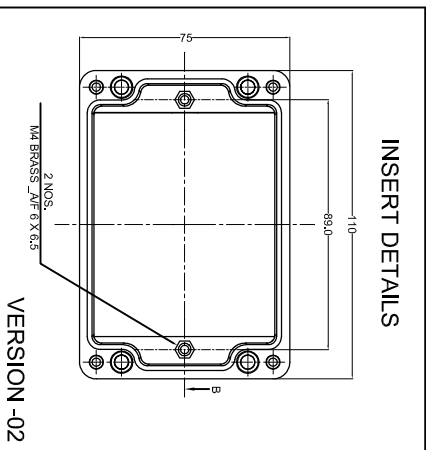


Cylinder Screw
M4 x 24/7 similar to DIN 94

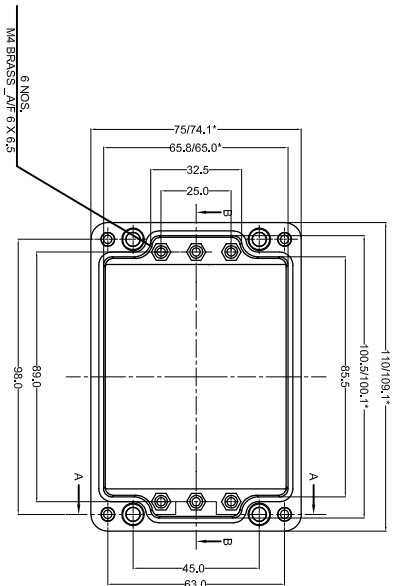
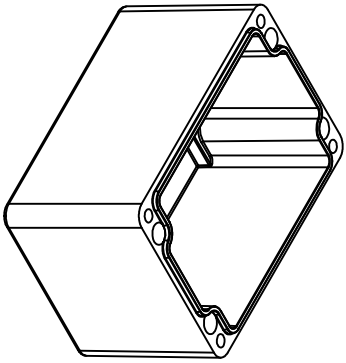
* = Cortical form tapering downward.
Untoleranced dimensions per DIN 16901-1:40

| OPTIONAL ACCESSORIES | | |
|-----------------------------|------|--------------|
| PART NAME | QTY. | AVAILABILITY |
| MOUNTING PLATE | 1 | Y |
| EXTERNAL HINGE | - | N |
| INTERNAL HINGE | - | N |
| MOUNTING BRACKETS | 4 | Y |
| NEOPRENE/EMC/SILICON GASKET | 1 | Y |
| DIN RAIL TS15 | 1 | Y |
| DIN RAIL TS35 | - | N |

INSERT DETAILS



VERSION -02

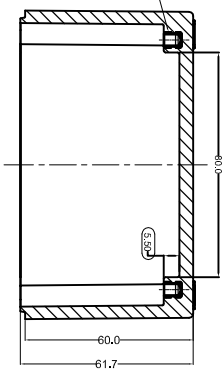


FOR INSERT REFF. DRAWING NO:-
M4 S.S. _AF_ 6 X 9

SECTION A-A

BASE

FOR INSERT REFF. DRAWING NO:-
M4 BRASS _AF_ 6 X 6.5



SECTION B-B

| Sr.No. | Drawing no. | RM Grade | Finish | VERSION |
|--------|-------------|----------|---------------|---------|
| 1 | | GRP-23 | GREY RAL7000 | 01 |
| 2 | | GRP-30 | BLACK RAL9011 | 02 |
| 3 | | GRP-30 | BLACK RAL9011 | 02 |

| NO. | REV. NO. | DESCRIPTION | DATE | DRAWN | CHECKED |
|---|----------|--------------------------------|---|-------|---------|
| <p>QUANTITY: GRP</p> <p>MATERIAL: GRP</p> <p>MACH. NAME: GRP JUNCTION BOX</p> <p>WEIGHT: 110 X 75 X 75</p> <p>FINISH: BLACK RAL9011</p> <p>TOLERANCE: ±0.2 DIMENSIONS, ±1.0° ANGLES</p> <p>ALL DIMENSIONS ARE IN MM</p> | | | | | |
| TITLE:- | | GRP JUNCTION BOX 110 X 75 X 75 | | | |
| DATE | SIGN | NAME | DATE | SIGN | NAME |
| 09/01/14 | | PAVAN | 09/01/14 | | PAVAN |
| SCALE | PARTNO. | DRG. NO. | <p>RS PRO APPROVED</p> <p>RS PRO</p> <p>rspro.com</p> | | |