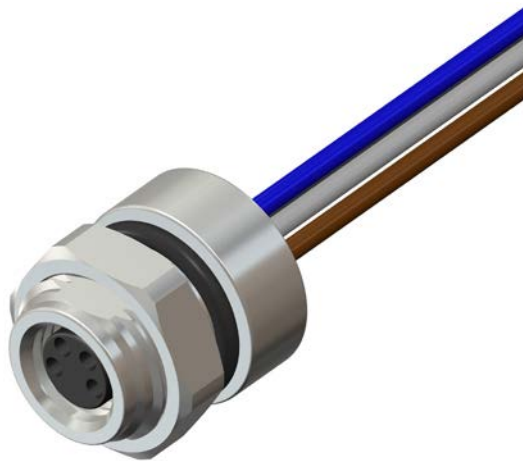


Datasheet

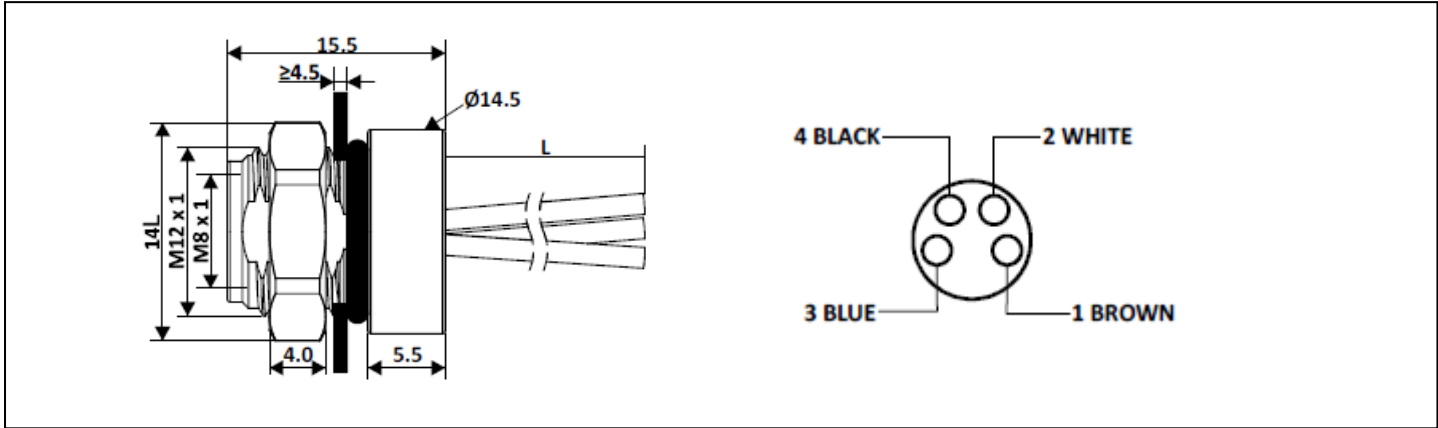
RS PRO M8 Female Rear Panel Mount 4 Pin Connector

Part No: CPF08-RM12BR3-P5

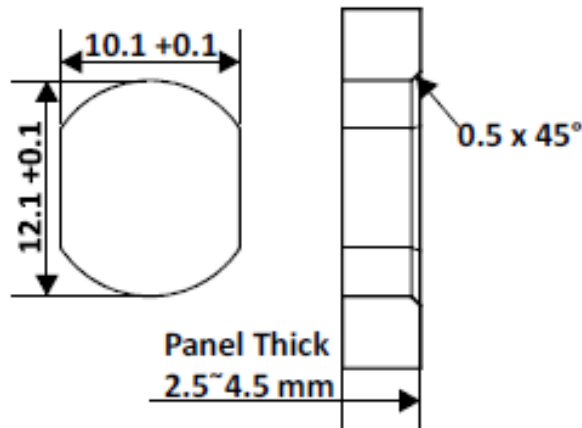

Technical Specifications:

Rated Operational Voltage	30 V
Current Rating	3 A
Insulation Resistance	≥100 MΩ
Temperature Range	-25° ... +75°C
Coding	A-Coded
Degree of Protection	IP67
Mounting	Rear (M12 x 1)
Housing Material	Brass Ni Plated
Contact	Cu-Zn
Contact Plating	Gold Flash
Contact Carrier	Nylon 66
O-ring	Neoprene
Pole	4

Clamp Nut	M12 x 1
Cross Section of Wire	0.25 sq.mm
Termination	Partially Stripped
Cable length	500 mm



Recommended Panel Cut-out:



Quality Standard: IEC 61076-2-104



TÜVRheinland
CERTIFIED

Type Approved
Safety
Regular Production
Surveillance



www.tuv.com
ID 111210482

