

# Datasheet Spin-On Filter Head and Filter

RS Stock number 512-578



## Technical Data

### Construction

- In-line Spin-On filter head

### Material

- Aluminium

### Port Connection

- BSP

### Flow Rate

- 225 l/min / 60 US GPM for return line application
- 46 l/min / 12 US GPM for suction line application

### Operating Pressure

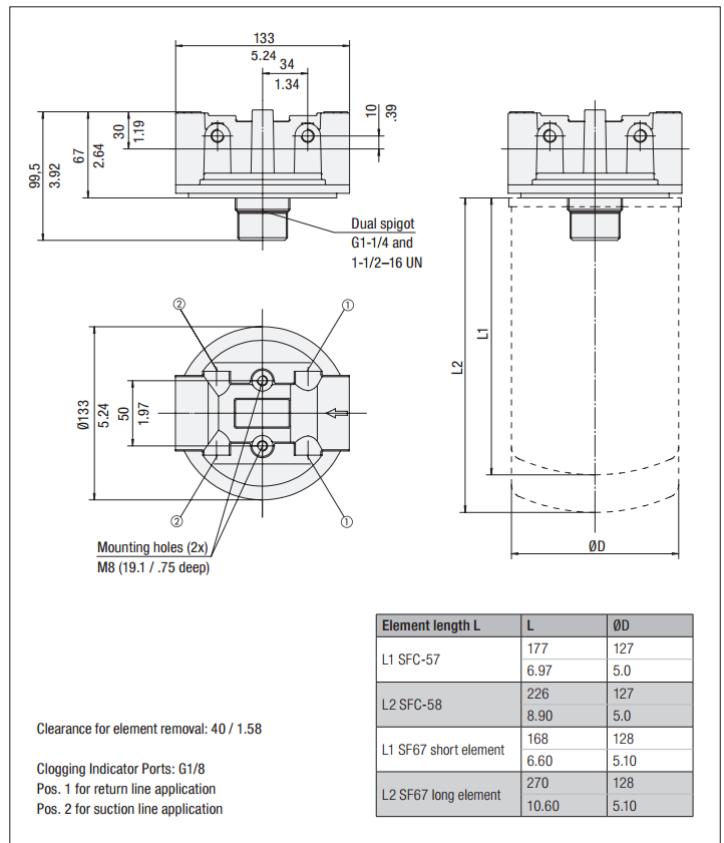
- Max. 12 bar / 174 PSI
- Max. 5 bar / 72.5 PSI differential pressure (for any applicaton with no bypass valve)

### Temperature Range

- -32 °C ... +100 °C / -25 °F ... +212 °F

### Media Compatibility

- Mineral oils, other fluids on request



Dimensions in mm / in



**Technical Data**

**Connection Thread**

- G1-1/4

**Operating Pressure**

- Max. 12 bar / 174 PSI

**Burst Pressure**

- Min. 17 bar / 247 PSI

**Temperature Range**

- -32 °C ... +100 °C / -25 °F ... +212 °F

**Seal Contour**

- Type A (see page C123)

**Differential Pressure**

- Paper: Max. 5 bar / 72.5 PSI
- Glass Fibre / Wire Mesh: Max. 10 bar / 145 PSI
- (for any application with no bypass valve)

**Bypass Pressure**

- 1,7 bar / 25 PSI
- (only SFCT-series)

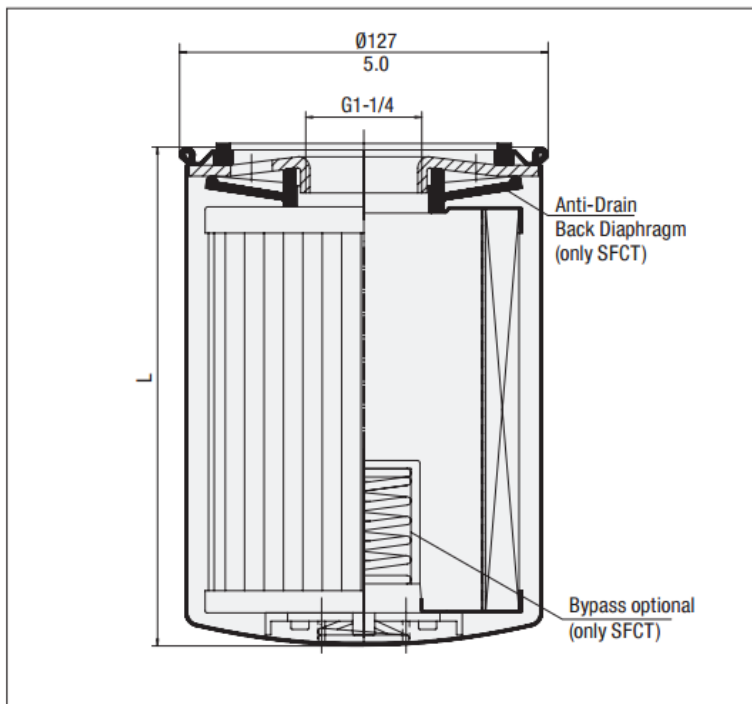
**Media Compatibility**

- Mineral oils, other fluids on request

**Sealing Material**

- NBR (Buna-N®)

	 10µm
<b>Length L (mm/in)</b>	177 6.97
<b>β-Ratio</b>	$\beta_{10} \geq 2$
<b>Carton Quantity</b>	1
<b>Carton Weight (kg/lbs)</b>	1,4 3



Dimensions in mm / in

**Visual Indicators**

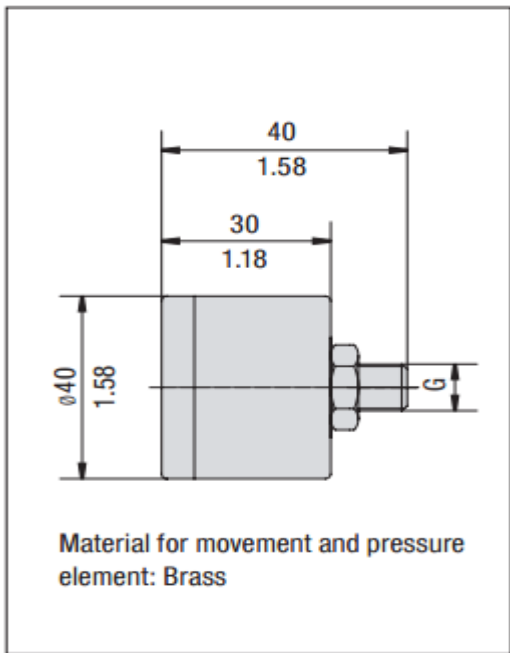


**SIM**

Visual Pressure Clogging Indicators							
	Type	Thread Connection G	Unit of scale	Range of scale	Coloured Segments		
					Green	Yellow	Red
	SIM-02	1/8	bar	0 ... 2,5	0 ... 1,2	1,2 ... 1,5	1,5 ... 2,5
<b>BSP</b>	SIM-04	1/8	bar	0 ... 4	0 ... 2,5	2,5 ... 3	3 ... 4
	SIM-12	1/8	bar	0 ... 12	without coloured segments		
<b>NPT</b>	CI-12	1/8	PSI	0 ... 100	0 ... 13	13 ... 15	15 ... 100
	CI-20	1/8	PSI	0 ... 100	0 ... 21	21 ... 25	25 ... 100

**Dimensions**

**Type SIM**



Note: The customer / user carries the responsibility for the electrical connection.