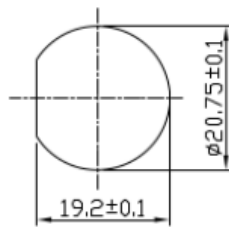




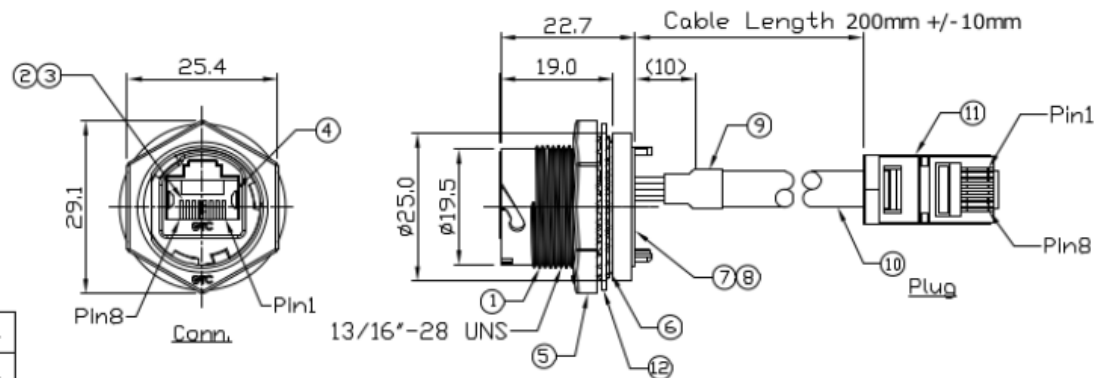
Notes: (Unless Otherwise Specified)

1. Waterproof Rate: IP68.
2. Recommend Panel Thickness: 0.8 to 4.0 mm.
3. Recommend Torque: 19~20 Kgf-cm.
4. Mating Cap P/N: 125-7926
5. RoHS Compliant.



Recommend Panel Cut-Out

REV	ECN#	DESCRIPTION OF REVISION	DRAW BY DATE	CHECK BY DATE	APPROVE BY DATE
A4	ECN-140805	Modify Item 9, Shrink Tube L=10mm to 20mm	Joyce 08/07/14	LUCAS 08/07/14	Ray 08/07/14



12	Washer	Stainless Finish: —	1
11	RJ45 Plug	Housing: Thermoplastic; Color: Green Contact: Copper Alloy Finish Au Plated Shell: Cold Roll Steel; Finish: Ni Plated	1
10	Cable	CAT5E 24AWG*4P+Al/Ny+D Color: Gray, OD=6.0mm	1
9	Shrink Tube	L=20mm Color: Black	1
8	Glue	Epoxy Color: Black	
7	PCB	FR-4 Color: —	2
6	D-Ring	Silicone Color: Red	1
5	Hex Nut	Zn Alloy Finish: Ni Plated	1
4	EMI Shielded Plate	Copper Alloy Finish: Ni Plated	2
3	Holder	Thermoplastic Color: Black	1
2	RJ45 Receptacle	Housing: Thermoplastic; Color: Gray Contact: Copper Alloy Finish Au Plated	1
1	Housing	Zn Alloy Finish: Ni Plated	1
Item	Part Name	Material / Finish	QTY



Wiring Diagram

Mating Parts:
111-6741
111-6742
111-6743

TITLE										RS Stock No 111-6740
RJ45 Metal C3 Shielded Panel Jack Lock With Cable + RJ Plug										
	B	1:1	Vicky 09/14/10	Ray 09/14/10	Ray 09/14/10	XX ± 0.5	XX ± 0.2	XXX ANGLES ± 0.05	mm	1/1
THIRD ANGLE PROJECTION	SIZE	SCALE	DRAW / DATE	CHECK / DATE	APPROVE / DATE	TOLERANCES			UNIT	SHEET