

TYPICAL PERFORMANCE CHARACTERISTICS

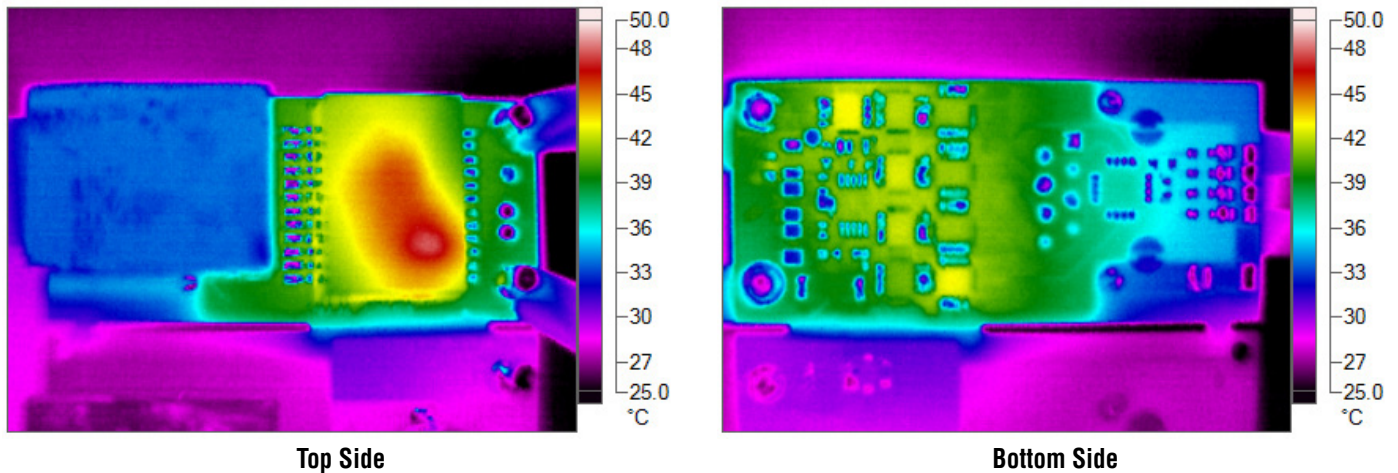


Figure 1. Thermal Pictures (Conditions: $V_{PORT} = 41.2V$, $V_{OUT} = 40.8V$, $I_{OUT} = 1.72A$)

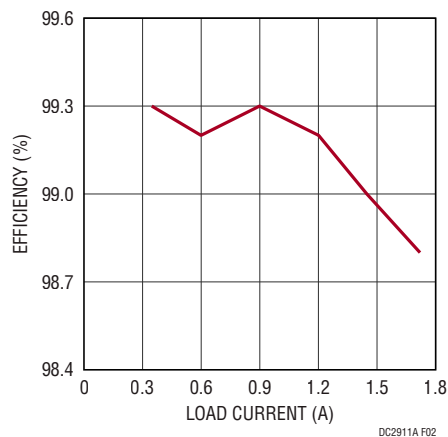


Figure 2. Efficiency (End-to-End)

QUICK START PROCEDURE

POWER OVER ETHERNET (PoE) INPUT

1. Disconnect auxiliary supply if it is connected to AUX+ and AUX- inputs of the DC2911A.
2. Refer to Figure 3 or Figure 4 to evaluate the DC2911A with a DC/DC converter. If a resistive or an active load is used to evaluate the DC2911A, use the setup diagram as shown in Figure 5.
3. Default class shunt positions are at JP1 and JP2 on the DC2911A board. In this configuration, any PSE with enough power will turn on this PD. Choose a power level from Table 1 and select the corresponding shunt positions.
4. Connect the output of the LTPoE++ or IEEE 802.3bt compliant PSE to the RJ45 connector (J1) of the DC2911A using a CAT5e or CAT6 Ethernet cable. (See Note.)
5. After connection has been established, verify that the LED (D3) is lit. This indicates the PSE has successfully detected and powered the PD.
6. Verify $\overline{T2P}$ response with a digital multimeter or an oscilloscope. The $\overline{T2P}$ response to the type of PSE connected to the DC2911A is provided in Table 2.

QUICK START PROCEDURE

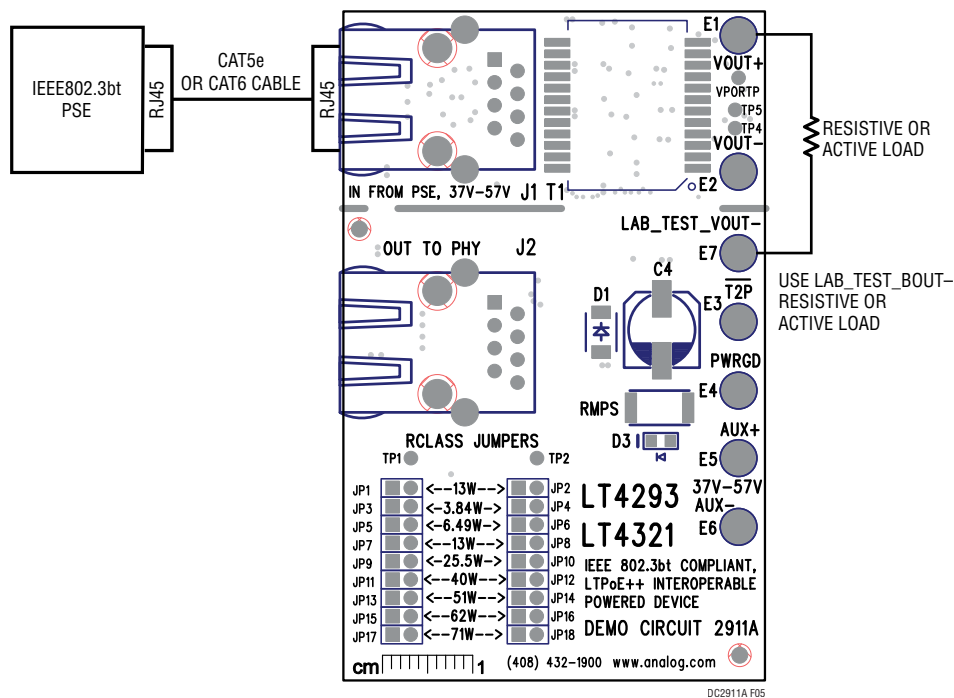


Figure 5. Setup Diagram for DC2911A with a Resistive or an Active Load. Do Not Capacitively Load LAB_TEST_VOUT-

Table 1. Single-Signature Classification, Power Levels and Jumper Selection

PD REQUESTED CLASS	PD REQUESTED POWER (AT THE PD INPUT)		RCLASS JUMPERS	
	IEEE 802.3	LTPoE++		
0	13W		JP1	JP2
1	3.84W		JP3	JP4
2	6.49W		JP5	JP6
3	13W		JP7	JP8
4	25.5W		JP9	JP10
5	40W	38.7W	JP11	JP12
6	51W	52.7W	JP13	JP14
7	62W	70W	JP15	JP16
8	71.3W	90W	JP17	JP18

Table 2. T2P Response vs PSE Type

PSE TYPE	T2P RESPONSE
1 (PoE, 13W)	Logic High
2 (PoE+, 25.5W)	Logic Low
3 (PoE++, 51W)	50% Logic Low*
4 (PoE++, 71.3W)	25% Logic Low*
LTPoE++, 90W	75% Logic Low*

* T2P Frequency is 840Hz typical for Type 3, Type 4 and LTPoE++ PSEs

QUICK START PROCEDURE

AUXILIARY SUPPLY INPUT

1. Place and connect test equipment (voltmeter, ammeter, oscilloscope and electronic load) as shown in Figure 6.
2. Turn down the electronic load to a minimum value and turn off the electronic load.
3. Connect the output of the auxiliary supply to the DC2911A as shown in Figure 6. Turn on the auxiliary supply and set its current limit to 2A. Then increase its output voltage to 48V.
4. Once the LED (D3) on the DC2911A is lit, check the output voltage using a voltmeter. Output voltage should be within 37V to 57V.
5. Verify $\overline{T2P}$ response with an oscilloscope as shown in Figure 6. The $\overline{T2P}$ response during auxiliary power operation is provided in Table 3.

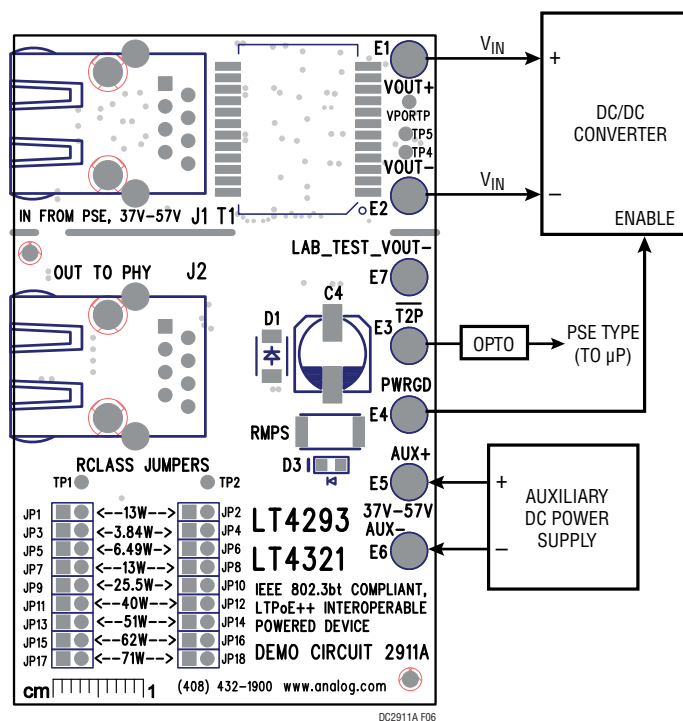


Figure 6. Setup Diagram for Auxiliary Supply Input

Table 3. $\overline{T2P}$ Response During Auxiliary Power Operation

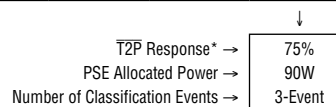
PD CLASS	$\overline{T2P}$ RESPONSE
0 – 4	Logic Low
5 – 8	75% Logic Low*

* $\overline{T2P}$ Frequency is 840Hz typical

QUICK START PROCEDURE

Table 4. Interoperability (T2P Response*, PSE Allocated Power, Number of Class/Mark Events)

PD REQUESTED CLASS (PD REQUESTED POWER)	PSE TYPE, CLASS (POWER)											AUXILIARY POWER SOURCE**	
	IEEE 802.3 TYPE 1	IEEE 802.3 TYPE 2	IEEE 802.3 TYPE 3			IEEE 802.3 TYPE 4		LTPoE++					
	CLASS 3 (13W)	CLASS 4 (25.5W)	CLASS 4 (25.5W)	CLASS 5 (40W)	CLASS 6 (51W)	CLASS 7 (62W)	CLASS 8 (71.3W)	(38.7W)	(52.7W)	(70W)	(90W)		
CLASS 0-3 (Up to 13W)	Hi-Z Up to 13W 1-Event	Hi-Z Up to 13W 1-Event	Hi-Z Up to 13W 1-Event	Hi-Z Up to 13W 1-Event	Hi-Z Up to 13W 1-Event	Hi-Z Up to 13W 1-Event	Hi-Z Up to 13W 1-Event	Hi-Z Up to 13W 1-Event	Hi-Z Up to 13W 1-Event	Hi-Z Up to 13W 1-Event	Hi-Z Up to 13W 1-Event	Hi-Z Up to 13W 1-Event	Low-Z Aux. Power N/A
CLASS 4 (25.5W)	Hi-Z 13W 1-Event	Low-Z 25.5W 2-Event	Low-Z 25.5W 3-Event	Low-Z 25.5W 3-Event	Low-Z 25.5W 3-Event	Low-Z 25.5W 3-Event	Low-Z 25.5W 3-Event	Low-Z 25.5W 2-Event	Low-Z 25.5W 2-Event	Low-Z 25.5W 2-Event	Low-Z 25.5W 2-Event	Low-Z 25.5W 2-Event	Low-Z Aux. Power N/A
CLASS 5 (40W)	Hi-Z 13W 1-Event	Low-Z 25.5W 2-Event	Low-Z 25.5W 3-Event	50% 40W 4-Event	50% 40W 4-Event	50% 40W 4-Event	50% 40W 4-Event	75% 38.7W 3-Event	75% 38.7W 3-Event	75% 38.7W 3-Event	75% 38.7W 3-Event	75% 38.7W 3-Event	75% Aux. Power N/A
CLASS 6 (51W)	Hi-Z 13W 1-Event	Low-Z 25.5W 2-Event	Low-Z 25.5W 3-Event	Low-Z 25.5W 3-Event	50% 51W 4-Event	50% 51W 4-Event	50% 51W 4-Event	DENIED	75% 52.7W 3-Event	75% 52.7W 3-Event	75% 52.7W 3-Event	75% 52.7W 3-Event	75% Aux. Power N/A
CLASS 7 (62W)	Hi-Z 13W 1-Event	Low-Z 25.5W 2-Event	Low-Z 25.5W 3-Event	Low-Z 25.5W 3-Event	50% 51W 4-Event	25% 62W 5-Event	25% 62W 5-Event	DENIED	DENIED	75% 70W 3-Event	75% 70W 3-Event	75% 70W 3-Event	75% Aux. Power N/A
CLASS 8 (71.3W)	Hi-Z 13W 1-Event	Low-Z 25.5W 2-Event	Low-Z 25.5W 3-Event	Low-Z 25.5W 3-Event	50% 51W 4-Event	50% 51W 4-Event	25% 71.3W 5-Event	DENIED	DENIED	DENIED	75% 90W 3-Event	75% 90W 3-Event	75% Aux. Power N/A



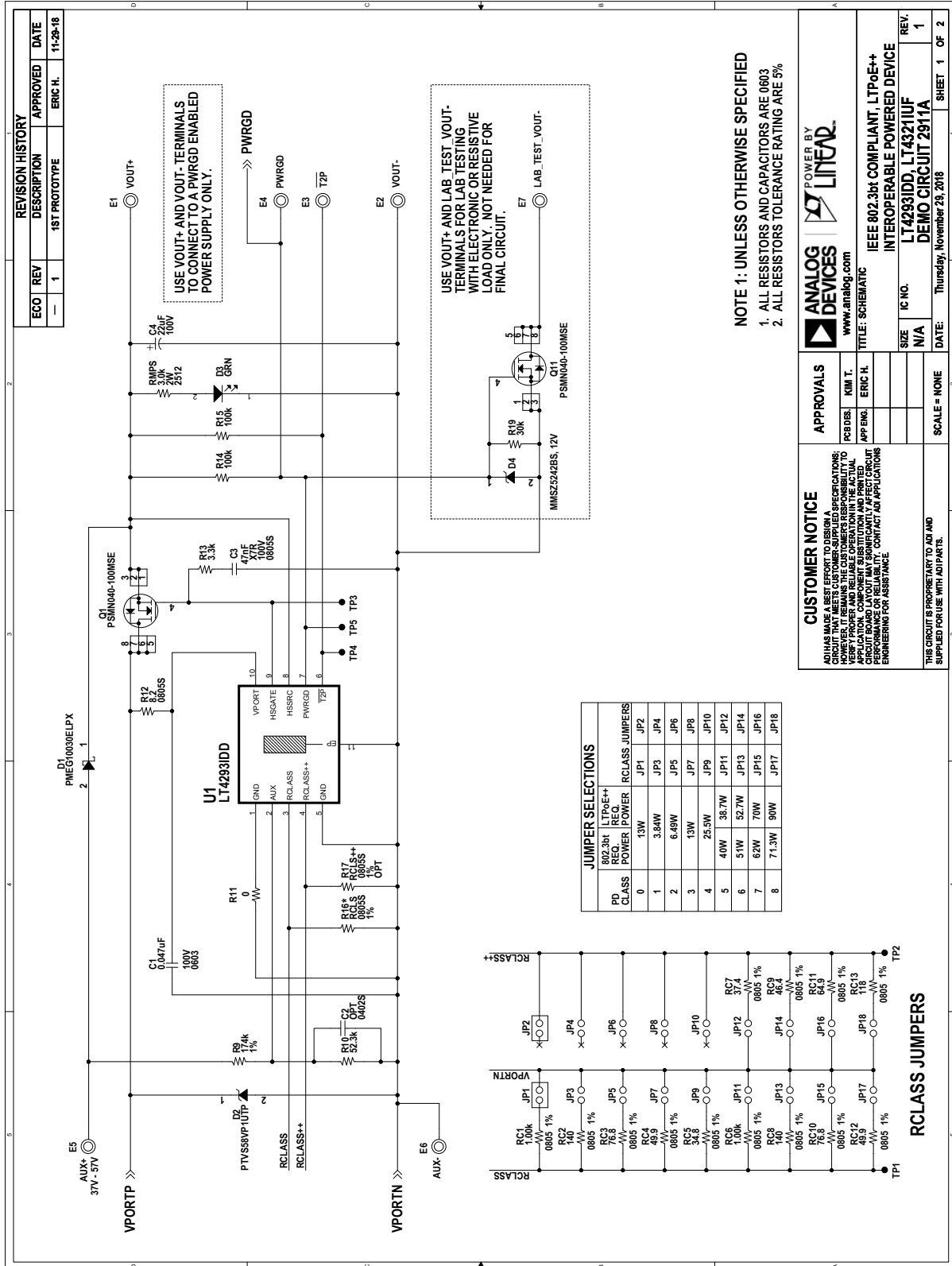
Note 1. Shade of blue indicates the PD has been demoted or denied power.
 * Specified as the percentage of the period which T2P is low impedance with respect to GND.
 ** Auxiliary Power Supply must be sized to provide PD Requested Power.

PARTS LIST

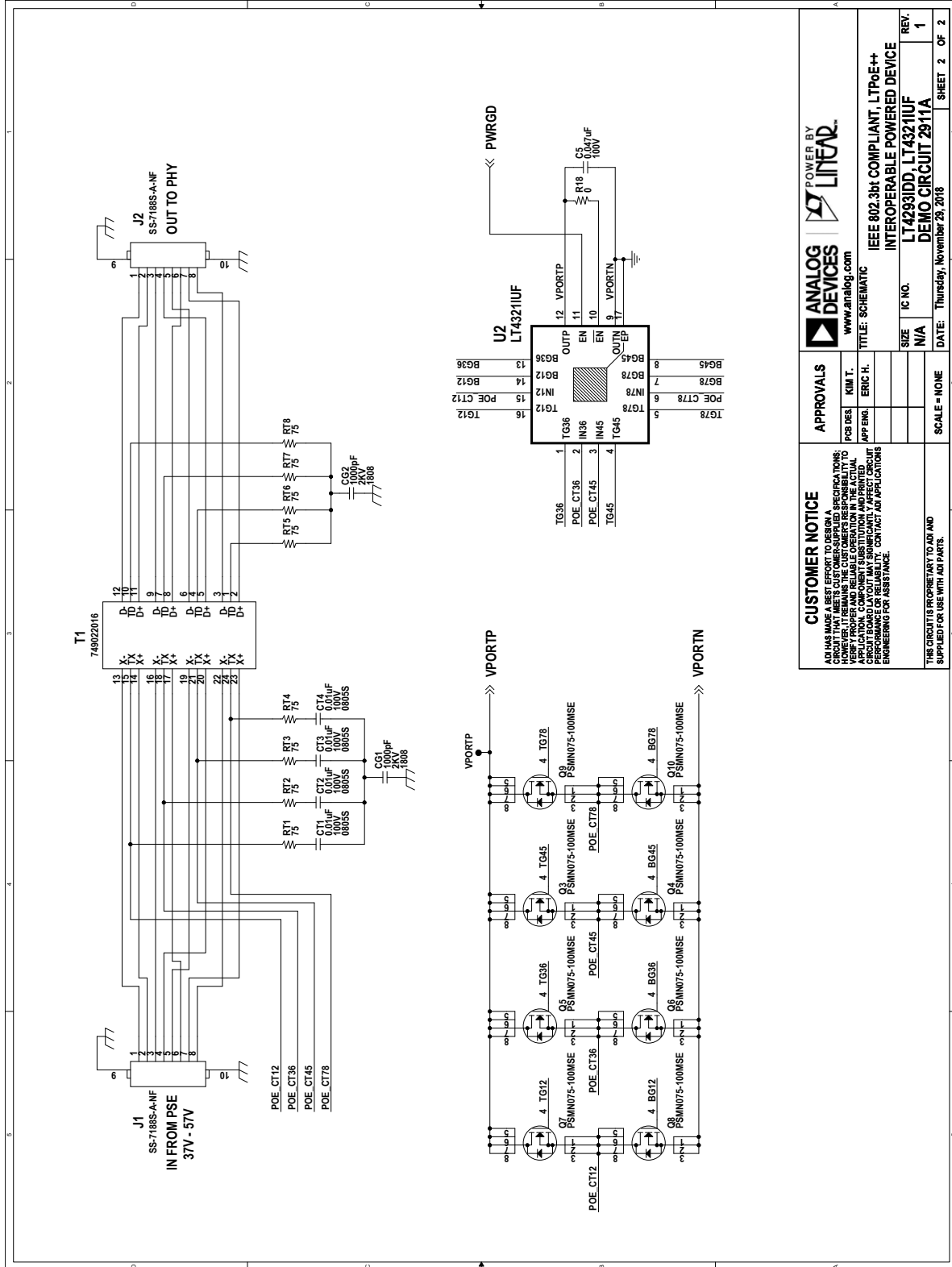
ITEM	QTY	REFERENCE	PART DESCRIPTION	MANUFACTURER/PART NUMBER
3	2	C1, C5	CAP., 0.047 μ F, X7S, 100V, 10%, 0603	TDK, C1608X7S2A473K080AB
4	0	C2	CAP., OPTION, 0402	OPT
5	1	C3	CAP., 0.047 μ F, X7R, 100V, 10%, 0805	AVX, 08051C473KAT2A
6	1	C4	CAP., 22 μ F, ALUM., 100V, 20%, SMD 8mm x10.2mm, CE-BS SERIES	SUN ELECTRONIC INDUSTRIES CORPORATION, 100CE22BS
1	2	CG1, CG2	CAP., 1000pF, X7R, 2000V, 10% 1808	TDK, C4520X7R3D102K130KA
2	4	CT1, CT2, CT3, CT4	CAP. 0.01 μ F, X7R, 200V, 10%, 0805	AVX, 08052C103KAZ2A
7	1	D1	DIODE, TVS, 58V, 600W, 2-PIN SOD128, AEC-Q101	NEXPERIA, PTVS58VP1UTP
8	1	D2	DIODE, SCHOTTKY, 100V, 3A, 2-PIN SOD-128, AEC-Q101	NEXPERIA, PMEG10030ELPX
9	1	D3	LED, GREEN, WATER-CLEAR	WURTH ELEKTRONIK, 150080VS75000
10	1	D4	DIODE, ZENER, 12V, 200mW, SOD-323	DIODES INC, MMSZ5242BS-7-F
11	7	E1-E7	TEST POINT, TURRET, 0.094 MTG. HOLE	MILL-MAX 2501-2-00-80-00-00-07-0
13	2	J1, J2	CONN., MOD JACK, RJ45, FEMALE, R/A THT, 1 PORT, 8P8C	STEWART CONN./BEL, SS-7188S-A-NF
12	18	JP1-JP18	CONN., HDR., MALE, 1 x 2, 2mm, THT, STR	SULLINS CONNECTOR SOLUTIONS, NRPN021PAEN-RC
14	2	Q1, Q11	XSTR., MOSFET, N-CH, 100V, 36.6m Ω , 30A, 91W, LFPAK33	NEXPERIA, PSMN040-100MSE
15	8	Q3-Q10	XSTR., MOSFET, N-CH, 100V, 71m Ω , 18A, 65W, LFPAK33	NEXPERIA, PSMN075-100MSE
28	1	R10	RES., 52.3k, 1%, 1/10W, 0603	VISHAY, CRCW060352K3FKEA
29	2	R11, R18	RES., 0 Ω , 1/10W, 0603	VISHAY, CRCW06030000Z0EA
30	1	R12	RES., 8.2 Ω , 1/8W, 1%, 0805	VISHAY, CRCW08058R20FKEA
31	1	R13	RES., 3.3k, 1/10W, 5%, 0603	VISHAY, CRCW06033K30JNEA
32	2	R14, R15	RES., 100k, 1/10W, 5%, 0603	VISHAY, CRCW0603100KJNEA
33	0	R16, R17	RES., OPTION, 0805	OPT
34	1	R19	RES., 30k, 1/10W, 5%, 0603	VISHAY, CRCW060330K0JNEA
27	1	R9	RES., 174k, 1%, 1/10W, 0603	VISHAY, CRCW0603174KFKEA
16	2	RC1, RC6	RES., 1.00k, 1/8W, 1%, 0805	VISHAY, CRCW08051K00FKEA
23	1	RC11	RES., 64.9 Ω , 1/8W, 1%, 0805	VISHAY, CRCW080564R9FKEA
24	1	RC13	RES., 118 Ω , 1/8W, 1%, 0805	VISHAY, CRCW0805118RFKEA
17	2	RC2, RC8	RES., 140 Ω , 1/8W, 1%, 0805	VISHAY, CRCW0805140RFKEA
18	2	RC3, RC10	RES., 76.8 Ω , 1/8W, 1%, 0805	VISHAY, CRCW080576R8FKEA
19	2	RC4, RC12	RES., 49.9 Ω , 1/8W, 1%, 0805	VISHAY, CRCW080549R9FKEA
20	1	RC5	RES., 34.8 Ω , 1/8W, 1%, 0805	VISHAY, CRCW080534R8FKEA
21	1	RC7	RES., 37.4 Ω , 1/8W, 1%, 0805	VISHAY, CRCW080537R4FKEA
22	1	RC9	RES., 46.4 Ω , 1/8W, 1%, 0805	VISHAY, CRCW080546R4FKEA
25	1	RMPS	RES., 3.0k, 5%, 1W, 2512	VISHAY, CRCW25123K00JNEG
26	8	RT1-RT8	RES., 75 Ω , 1/10W, 5%, 0603	VISHAY, CRCW060375R0JNEA
38	2	SHUNTS ON JP1 AND JP2	CONN., SHUNT, FEMALE, 2 POS, 2mm	WURTH ELEKTRONIK, 60800213421
35	1	T1	XFMR., 350 μ H, 1:1 \pm 2%	WURTH ELEKTRONIK, 749022016
36	1	U1	I.C., LTPoE++/802.3bt PD CONTROLLER, DFN10, 3mm x 3mm	ANALOG DEVICES, LT4293IDD
37	1	U2	I.C., PoE IDEAL DIODE BRIDGE CONTROLLER, QFN16-UF, 4mm x 4mm	ANALOG DEVICES, LT4321IUF
39	2		STENCILS, (TOP & BOTTOM)	STENCIL DC2911A-1

DEMO MANUAL DC2911A

SCHEMATIC DIAGRAM



SCHEMATIC DIAGRAM



CUSTOMER NOTICE		APPROVALS	
ADI HAS MADE A BEST EFFORT TO DESIGN A CIRCUIT THAT MEETS CUSTOMER-SUPPLIED SPECIFICATIONS; HOWEVER, THE USER MUST VERIFY THE CIRCUIT'S PERFORMANCE IN THE ACTUAL APPLICATION. COMPONENT SUBSTITUTION AND REVISIONS TO THE SCHEMATIC MAY AFFECT CIRCUIT PERFORMANCE OR RELIABILITY. CONTACT ADI APPLICATIONS ENGINEERING FOR ASSISTANCE.		POB DES: KIM T.	REV: 1
		APP ENG: ERIC H.	REV: 1
		SCALE: NONE	SHEET 2 OF 2
THIS CIRCUIT IS PROPRIETARY TO ADI AND SUPPLIED FOR USE WITH ADI PARTS.		IC NO: L14293IDD, L14321IUF	REV: 1
		DATE: Thursday, November 29, 2018	SHEET 2 OF 2

POWER BY
ANALOG DEVICES
www.analog.com

LINEAR

IEEE 802.3bt COMPLIANT, LTPoE++
INTEROPERABLE POWERED DEVICE
DEMO CIRCUIT 2911A



ESD Caution

ESD (electrostatic discharge) sensitive device. Charged devices and circuit boards can discharge without detection. Although this product features patented or proprietary protection circuitry, damage may occur on devices subjected to high energy ESD. Therefore, proper ESD precautions should be taken to avoid performance degradation or loss of functionality.

Legal Terms and Conditions

By using the evaluation board discussed herein (together with any tools, components documentation or support materials, the "Evaluation Board"), you are agreeing to be bound by the terms and conditions set forth below ("Agreement") unless you have purchased the Evaluation Board, in which case the Analog Devices Standard Terms and Conditions of Sale shall govern. Do not use the Evaluation Board until you have read and agreed to the Agreement. Your use of the Evaluation Board shall signify your acceptance of the Agreement. This Agreement is made by and between you ("Customer") and Analog Devices, Inc. ("ADI"), with its principal place of business at One Technology Way, Norwood, MA 02062, USA. Subject to the terms and conditions of the Agreement, ADI hereby grants to Customer a free, limited, personal, temporary, non-exclusive, non-sublicensable, non-transferable license to use the Evaluation Board FOR EVALUATION PURPOSES ONLY. Customer understands and agrees that the Evaluation Board is provided for the sole and exclusive purpose referenced above, and agrees not to use the Evaluation Board for any other purpose. Furthermore, the license granted is expressly made subject to the following additional limitations: Customer shall not (i) rent, lease, display, sell, transfer, assign, sublicense, or distribute the Evaluation Board; and (ii) permit any Third Party to access the Evaluation Board. As used herein, the term "Third Party" includes any entity other than ADI, Customer, their employees, affiliates and in-house consultants. The Evaluation Board is NOT sold to Customer; all rights not expressly granted herein, including ownership of the Evaluation Board, are reserved by ADI. CONFIDENTIALITY. This Agreement and the Evaluation Board shall all be considered the confidential and proprietary information of ADI. Customer may not disclose or transfer any portion of the Evaluation Board to any other party for any reason. Upon discontinuation of use of the Evaluation Board or termination of this Agreement, Customer agrees to promptly return the Evaluation Board to ADI. ADDITIONAL RESTRICTIONS. Customer may not disassemble, decompile or reverse engineer chips on the Evaluation Board. Customer shall inform ADI of any occurred damages or any modifications or alterations it makes to the Evaluation Board, including but not limited to soldering or any other activity that affects the material content of the Evaluation Board. Modifications to the Evaluation Board must comply with applicable law, including but not limited to the RoHS Directive. TERMINATION. ADI may terminate this Agreement at any time upon giving written notice to Customer. Customer agrees to return to ADI the Evaluation Board at that time. LIMITATION OF LIABILITY. THE EVALUATION BOARD PROVIDED HEREUNDER IS PROVIDED "AS IS" AND ADI MAKES NO WARRANTIES OR REPRESENTATIONS OF ANY KIND WITH RESPECT TO IT. ADI SPECIFICALLY DISCLAIMS ANY REPRESENTATIONS, ENDORSEMENTS, GUARANTEES, OR WARRANTIES, EXPRESS OR IMPLIED, RELATED TO THE EVALUATION BOARD INCLUDING, BUT NOT LIMITED TO, THE IMPLIED WARRANTY OF MERCHANTABILITY, TITLE, FITNESS FOR A PARTICULAR PURPOSE OR NON-INFRINGEMENT OF INTELLECTUAL PROPERTY RIGHTS. IN NO EVENT WILL ADI AND ITS LICENSORS BE LIABLE FOR ANY INCIDENTAL, SPECIAL, INDIRECT, OR CONSEQUENTIAL DAMAGES RESULTING FROM CUSTOMER'S POSSESSION OR USE OF THE EVALUATION BOARD, INCLUDING BUT NOT LIMITED TO LOST PROFITS, DELAY COSTS, LABOR COSTS OR LOSS OF GOODWILL. ADI'S TOTAL LIABILITY FROM ANY AND ALL CAUSES SHALL BE LIMITED TO THE AMOUNT OF ONE HUNDRED US DOLLARS (\$100.00). EXPORT. Customer agrees that it will not directly or indirectly export the Evaluation Board to another country, and that it will comply with all applicable United States federal laws and regulations relating to exports. GOVERNING LAW. This Agreement shall be governed by and construed in accordance with the substantive laws of the Commonwealth of Massachusetts (excluding conflict of law rules). Any legal action regarding this Agreement will be heard in the state or federal courts having jurisdiction in Suffolk County, Massachusetts, and Customer hereby submits to the personal jurisdiction and venue of such courts. The United Nations Convention on Contracts for the International Sale of Goods shall not apply to this Agreement and is expressly disclaimed.