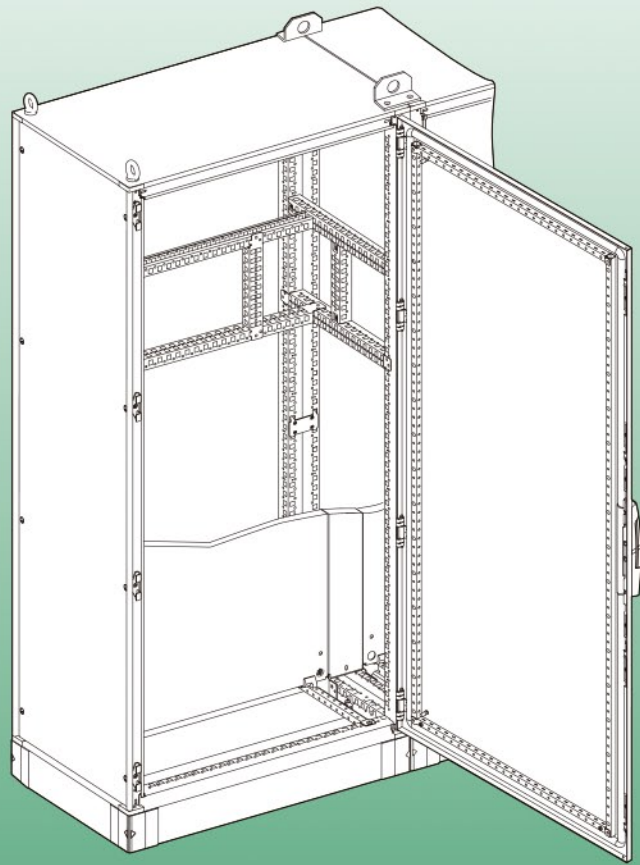

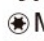
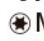



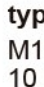








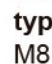
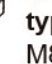
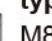





















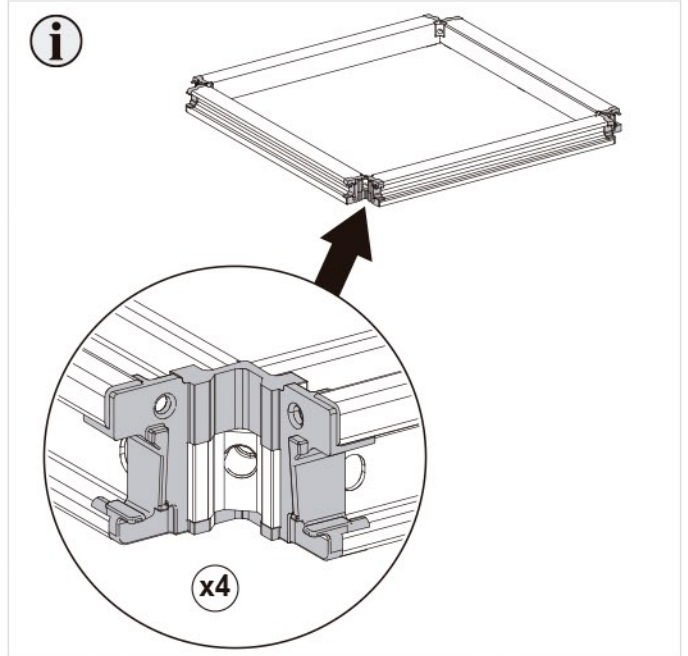
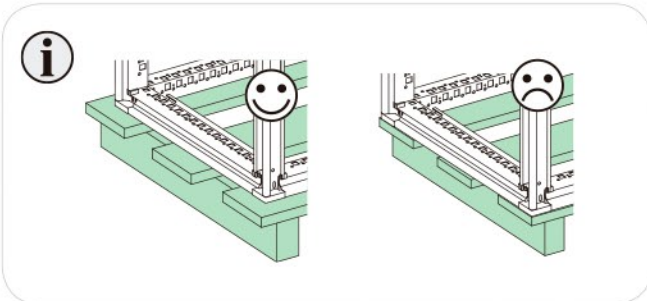
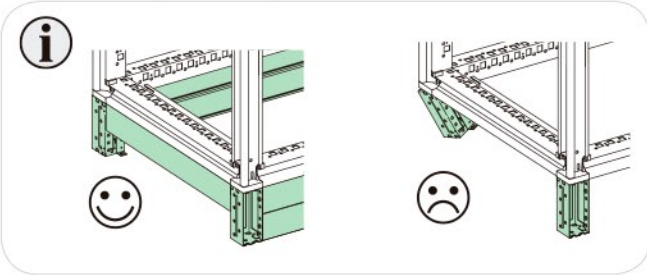
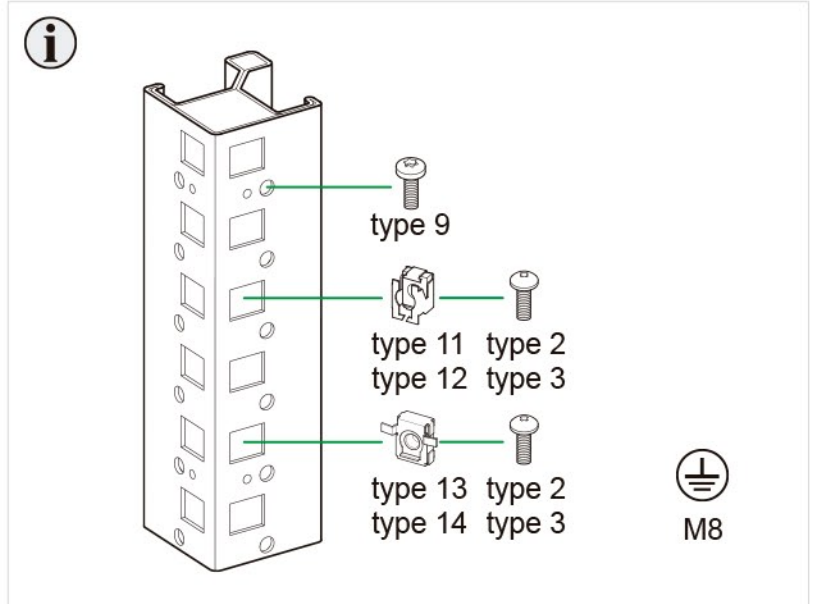
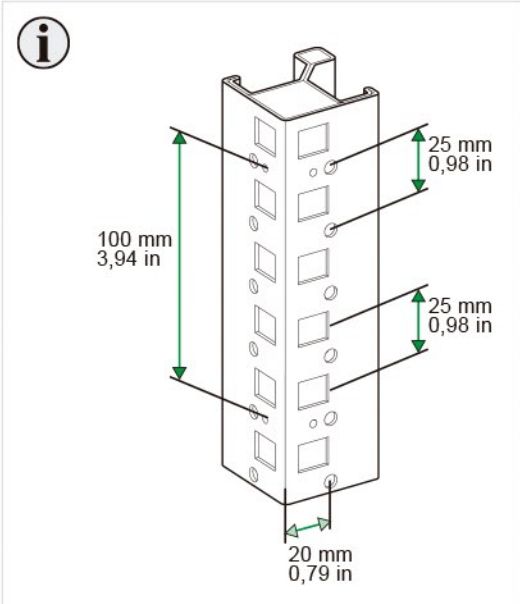


**Spacial SF Supplied as a Kit**  
**Spacial SF Fournies en Kit**  
**Spacial SF Suministrado en Kit**



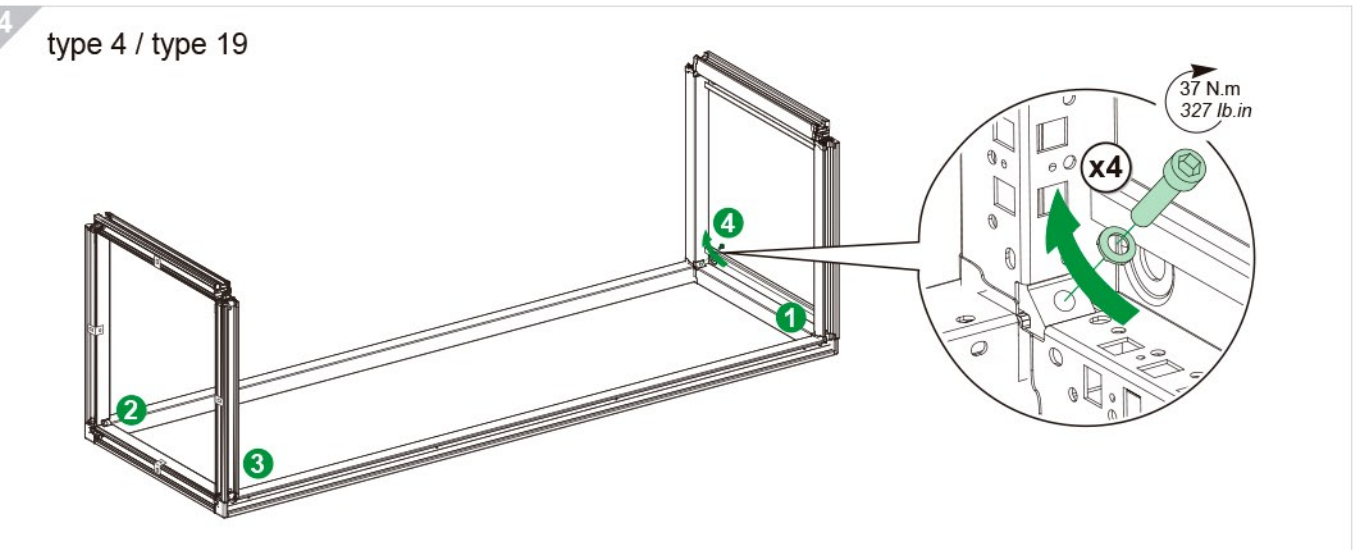
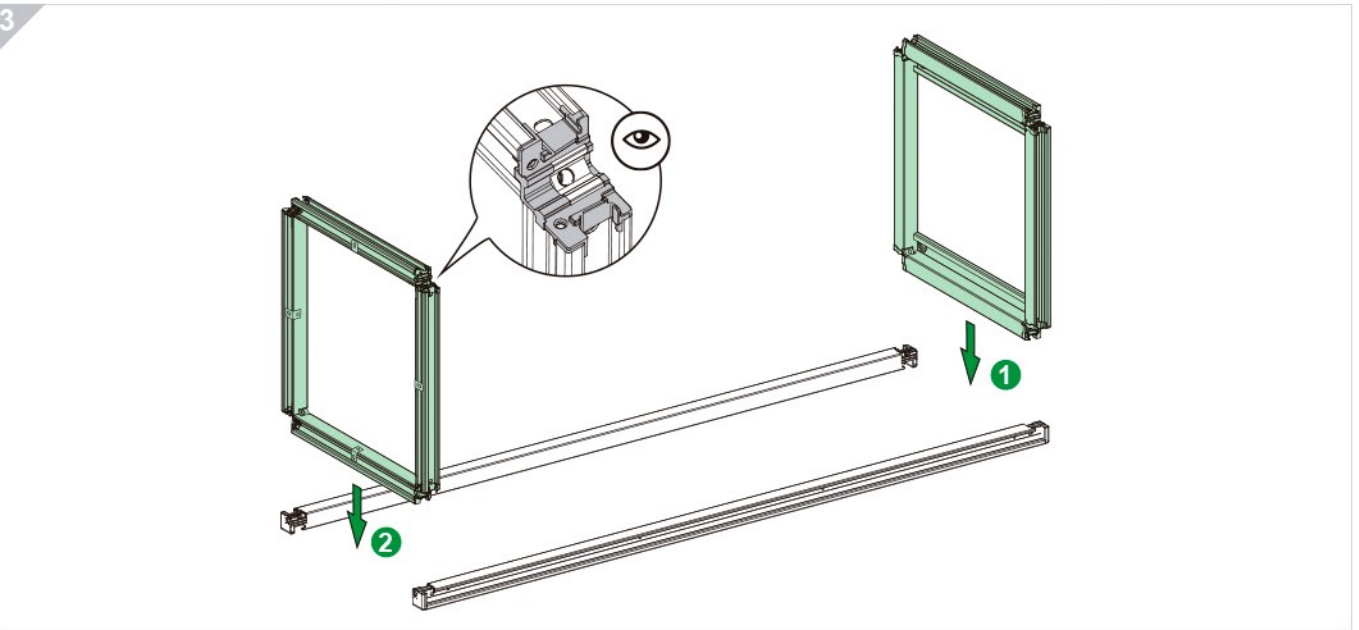
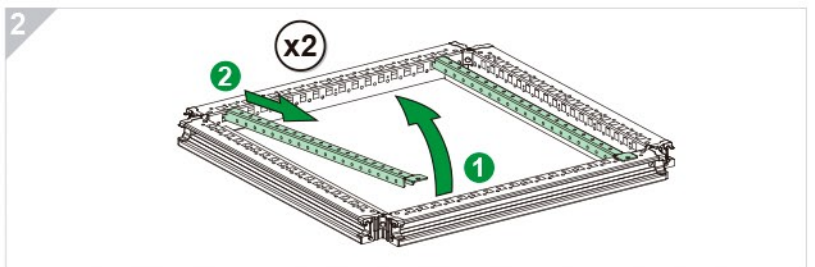
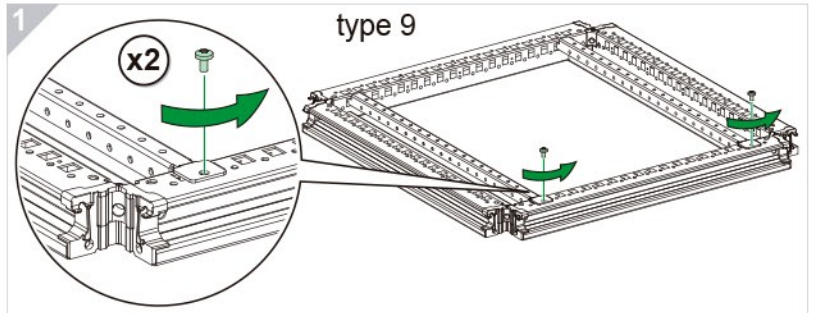
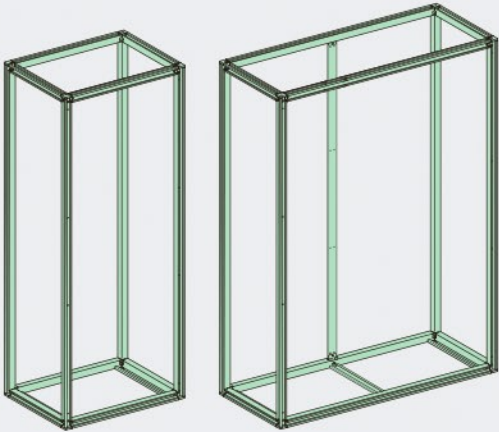
 <b>type 1</b> ● M5 / T25 2.7 Nm 23.90 lb-in	 <b>type 2</b> ● M6 / T30 4.5 Nm 39.82 lb-in	 <b>type 3</b> ● M8 / T40 4.5 Nm 39.82 lb-in	 <b>type 4</b> ● M8 37 Nm 327 lb-in	 <b>type 5</b> ● M12 10 Nm 88.50 lb-in
 <b>type 6</b> M8 4.5 Nm 39.82 lb-in	 <b>type 7</b> M12 10 Nm 88.50 lb-in	 <b>type 8</b> ● M12 6 Nm 53.10 lb-in	 <b>type 9</b> ● M6 / T30 4.5 Nm 39.82 lb-in	 <b>type 10</b> M6
 <b>type 11</b> M6	 <b>type 13</b> M6	 <b>type 15</b> M8 3 Nm 26.55 lb-in	 <b>type 16</b> ● M6 / T30 3.5 Nm 30.97 lb-in	 <b>type 17</b> M 8
 <b>type 12</b> M8	 <b>type 14</b> M8	 <b>type 21</b> diam.13 / PA 6.6	 <b>type 22</b> ● M6 / T30 4.5 Nm - 39.82 lb-in	 <b>type 18</b> diam. ext. 20
 <b>type 19</b> diam. ext. 20	 <b>type 20</b> diam.13		 <b>type 23</b> ● M6 / T20 3.5 Nm - 30.97 lb-in	

 → p. 3	 → p. 4	 → p. 5	 → p. 6
 → p. 7	 → p. 8	 → p. 10	 → p. 12
 → p. 13	 → p. 14	 → p. 15	 → p. 16
 → p. 17	 → p. 18	 → p. 21	 → p. 22



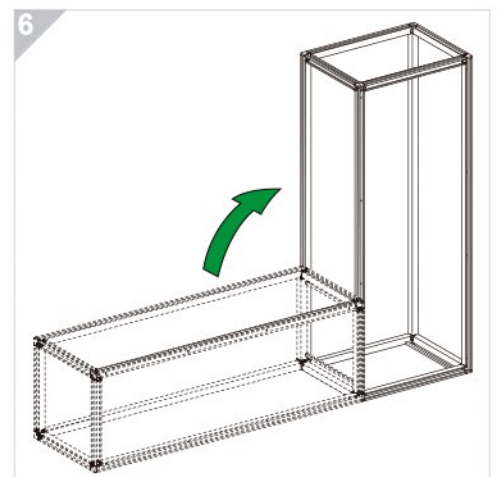
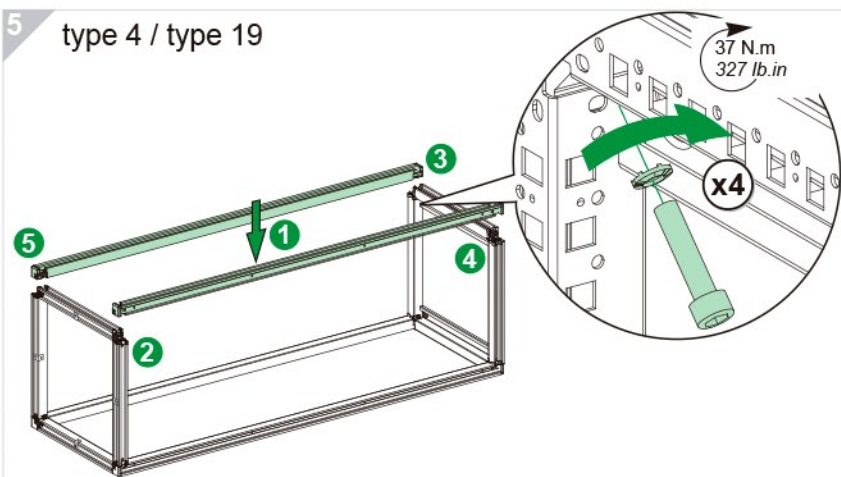
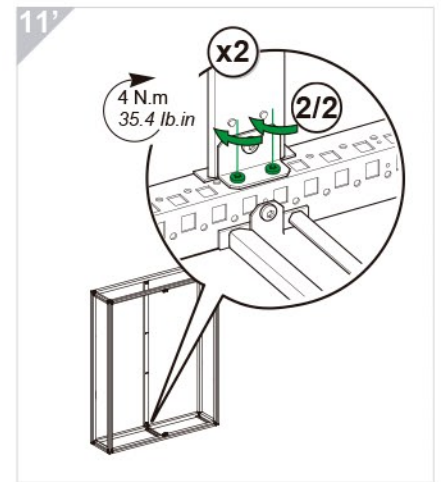
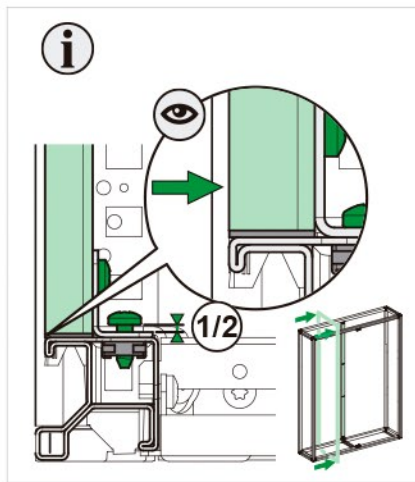
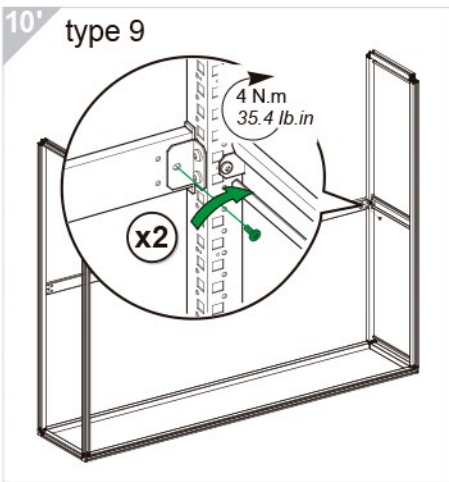
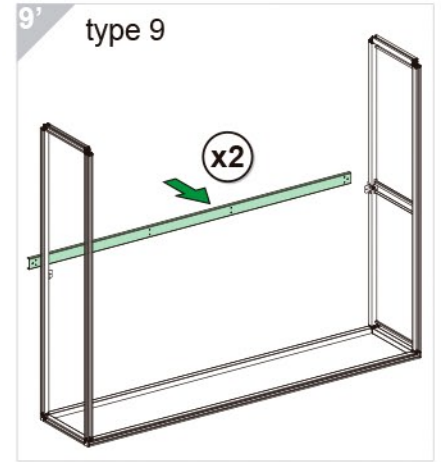
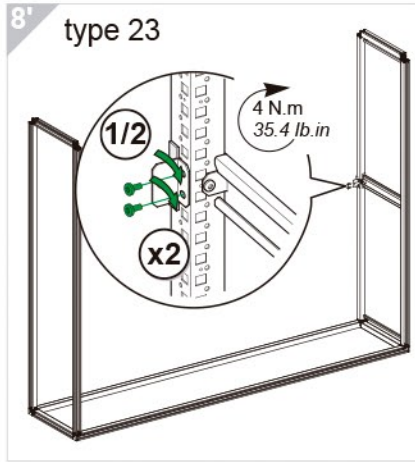
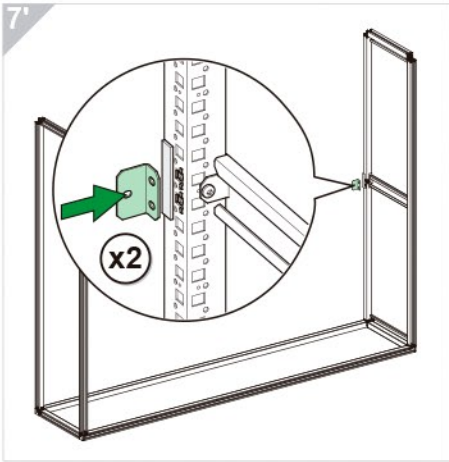
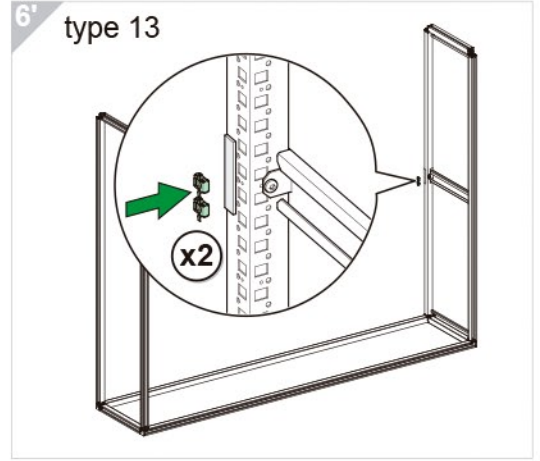
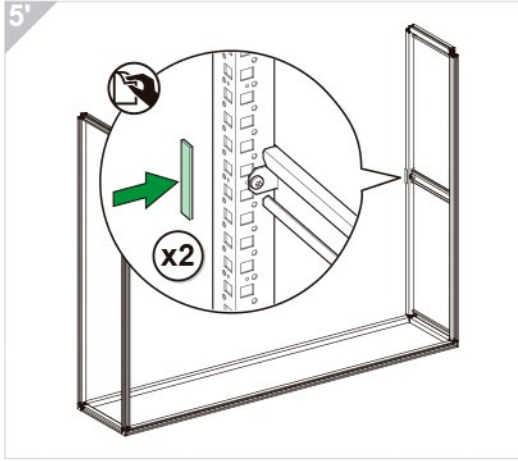


**A**



**A'**

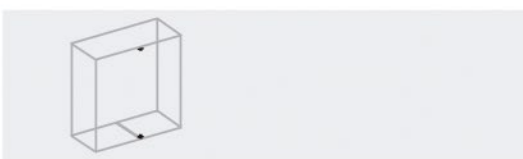
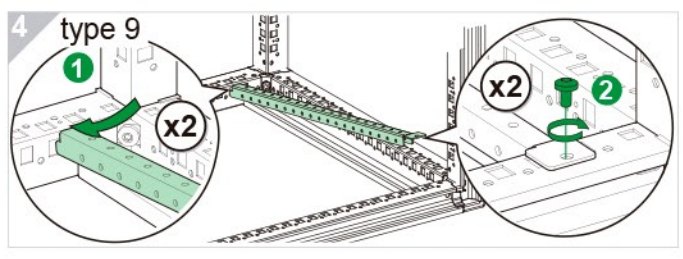
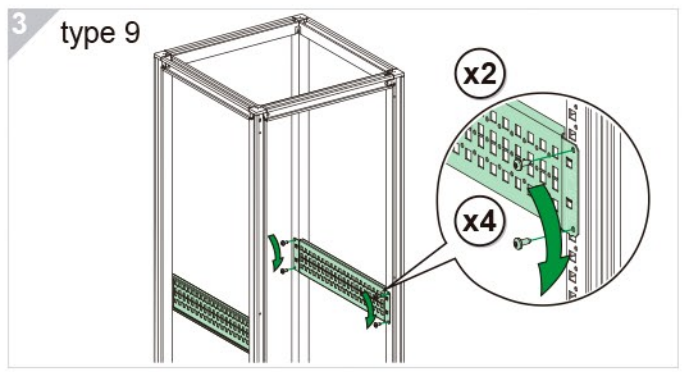
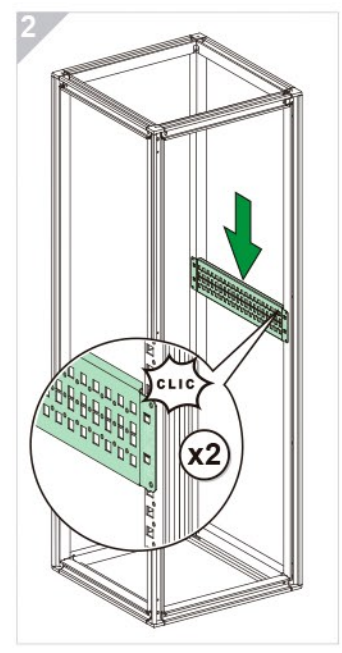
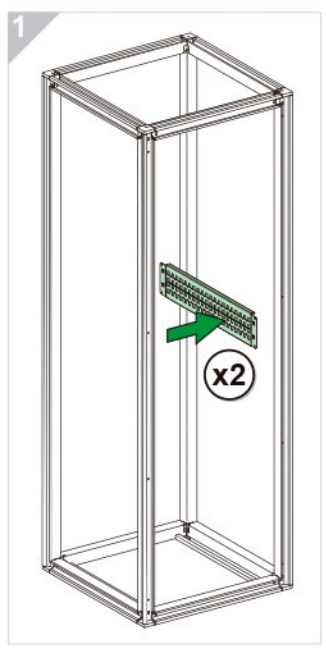
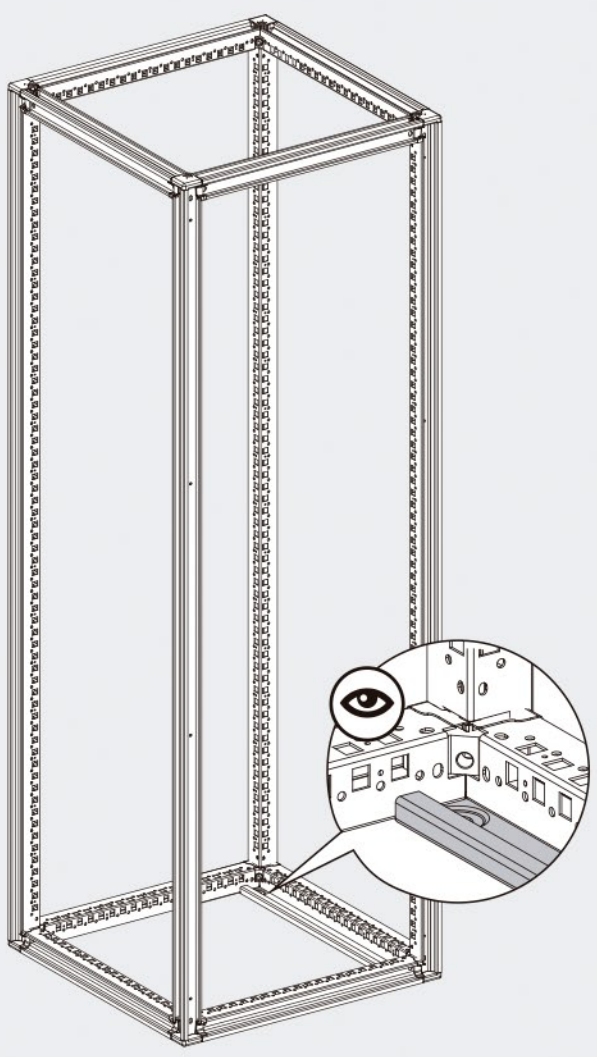
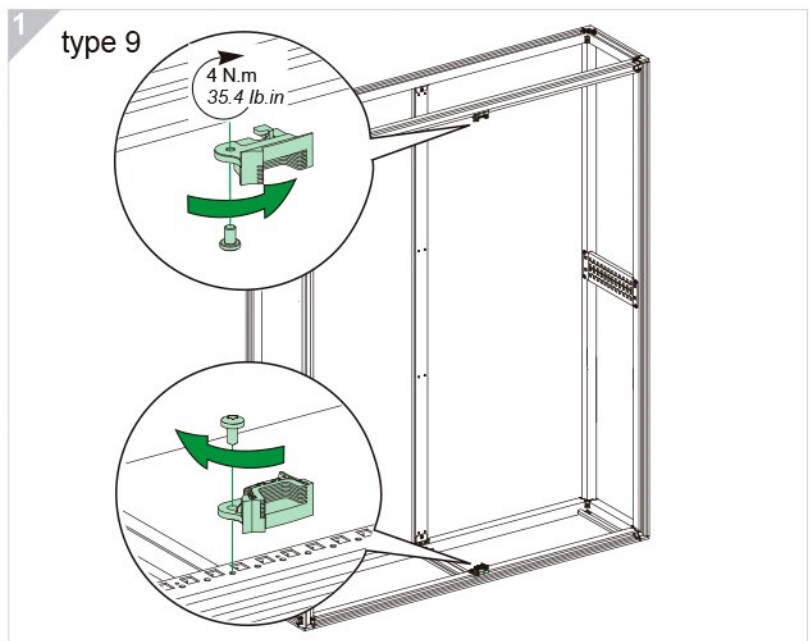
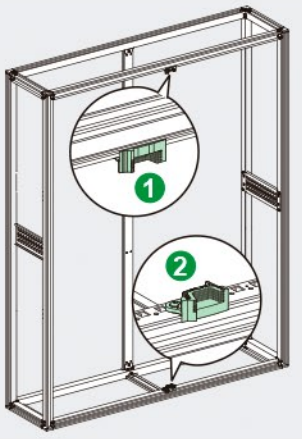
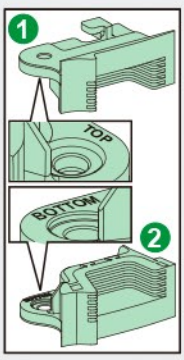
Width/Large/Ancho  
1600 mm  
62.99 in



**A**

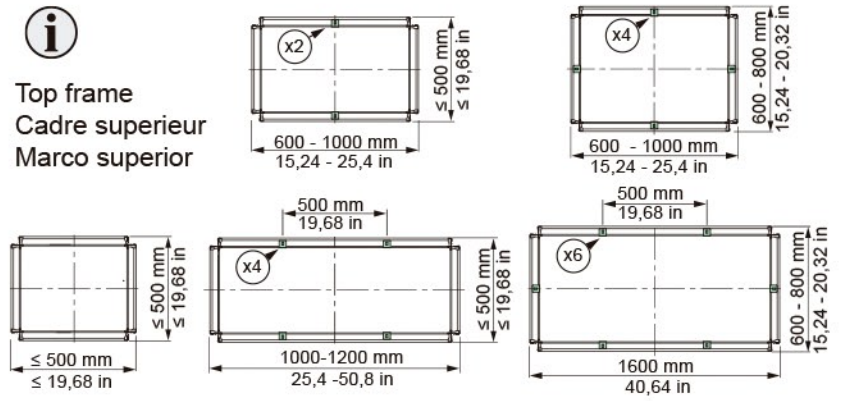
**type 9**  
 ● M6 / T30  
 3 Nm  
 26,55 lb-in

**x8** Width/Large/Ancho  
 ≥ 600 mm, 23.62 in  
 Depth/Profundeur/  
 Profundidad  
 ≥ 500 mm, 19.68 in

**A**



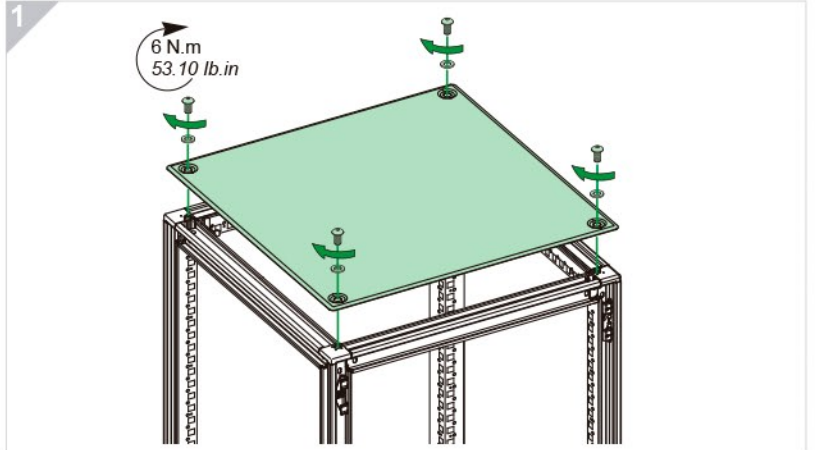
Top frame  
Cadre supérieur  
Marco superior



**A**



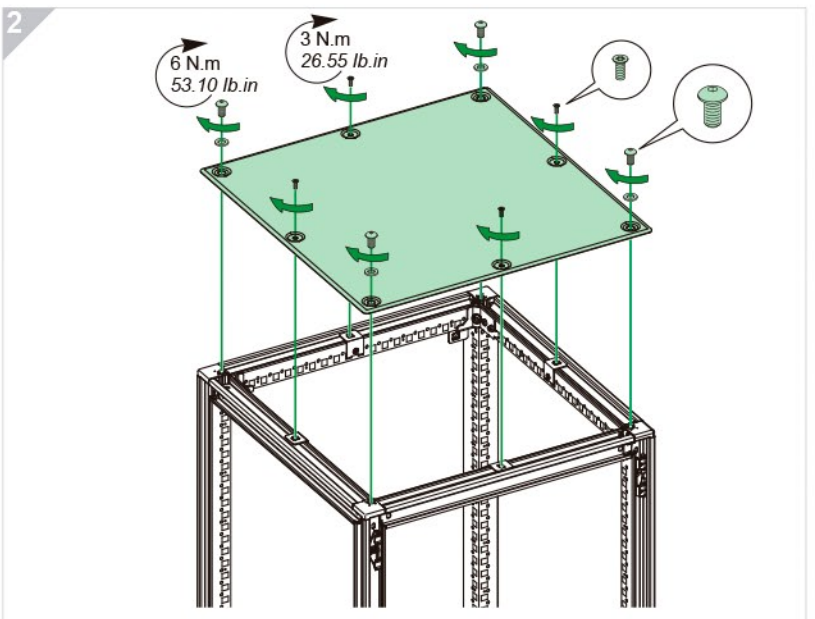
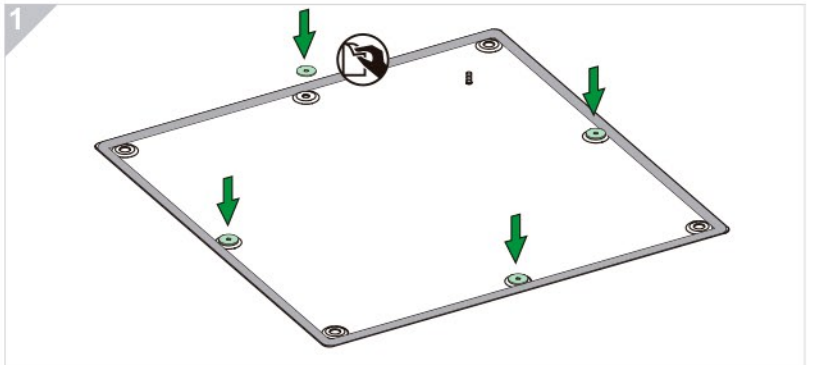
**Width/Large/Ancho**  
≤ 500 mm, 19.68 in  
**Depth/Profundeur/Profundidad**  
≤ 500 mm, 19.68 in

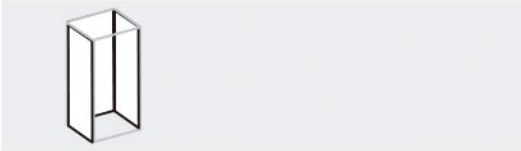


**A**

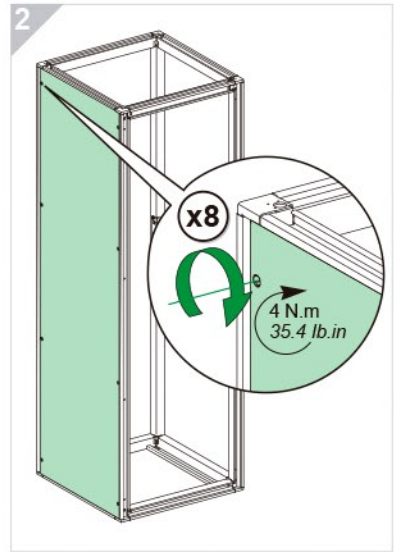
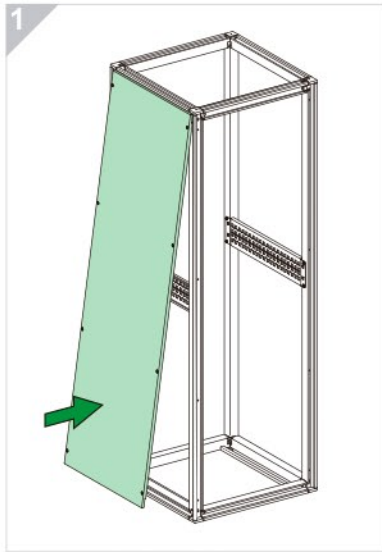
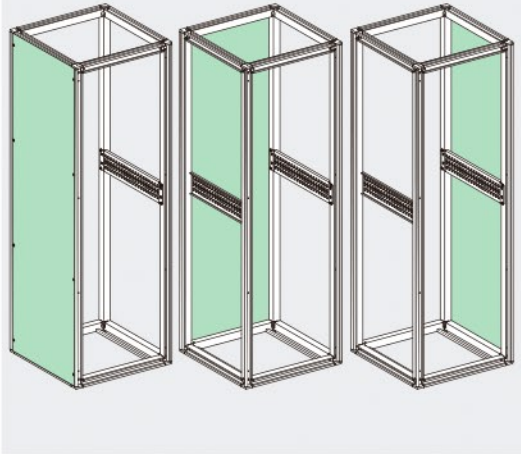


**Width/Large/Ancho**  
≥ 600 mm, 23.62 in  
**Depth/Profundeur/Profundidad**  
≥ 600 mm, 23.62 in



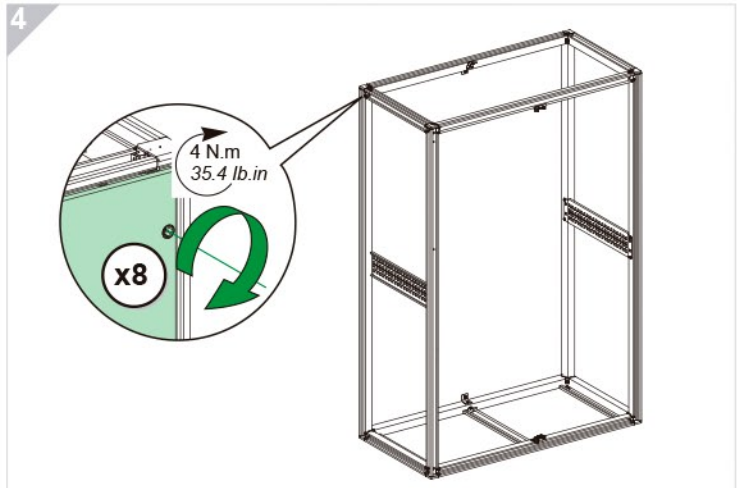
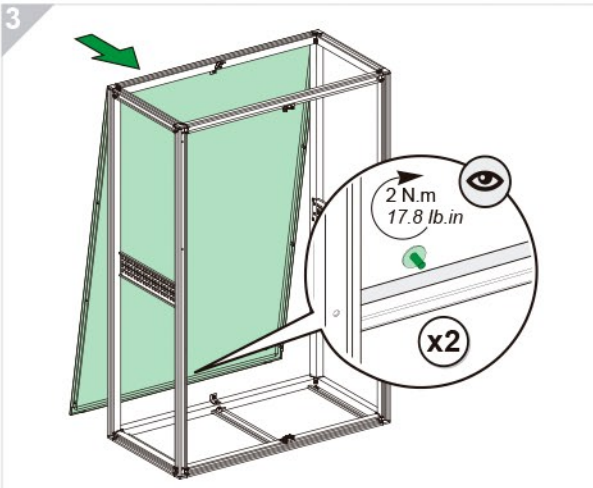
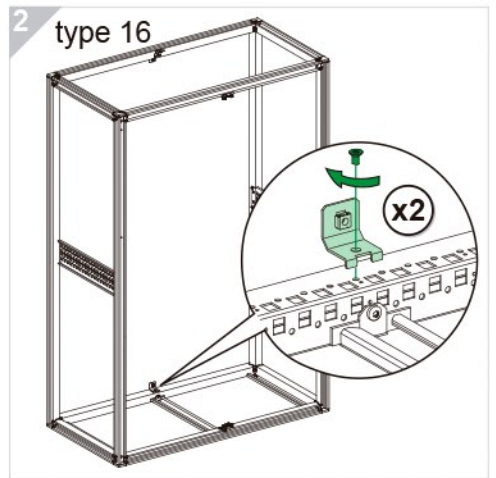
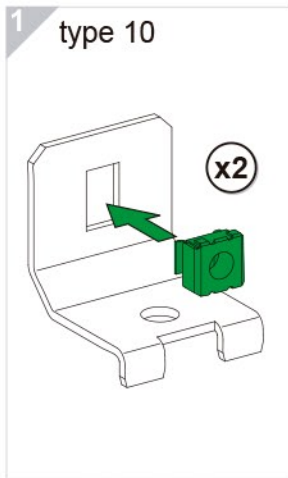
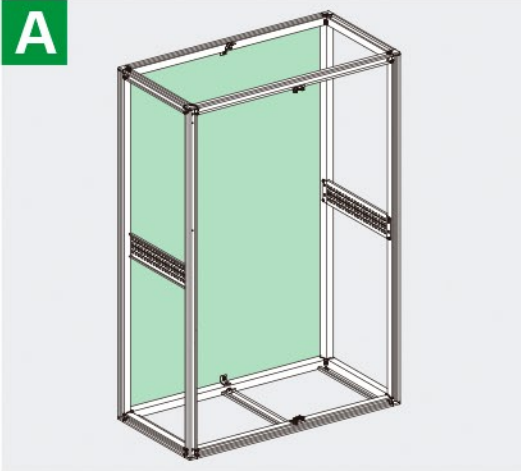


**A**



**Width/Large/Ancho**  
1000/1200 mm  
39.37/47.24 in

**A**



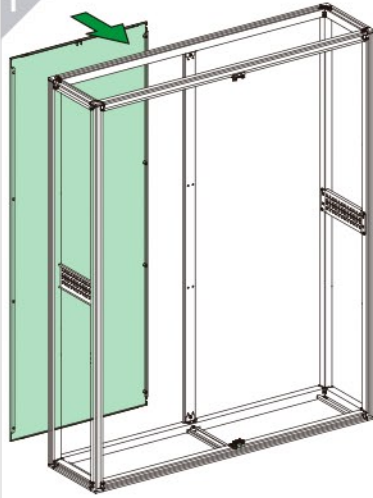


Width/Large/Ancho  
1600 mm  
62.99 in

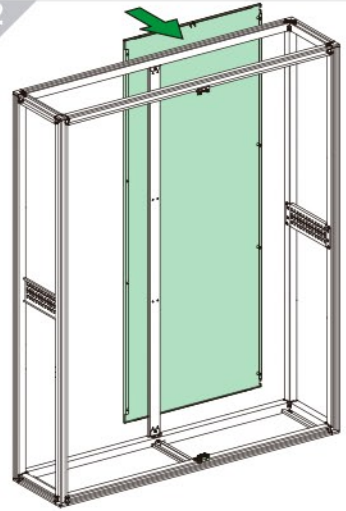
**A**



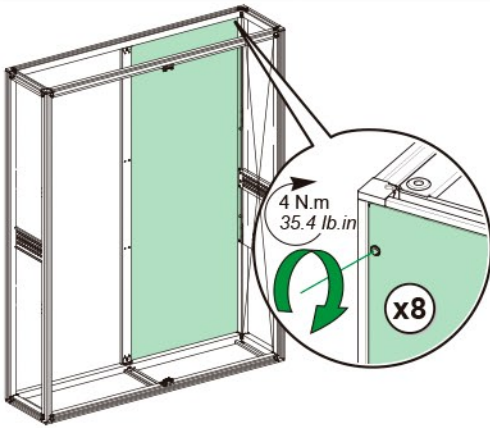
1



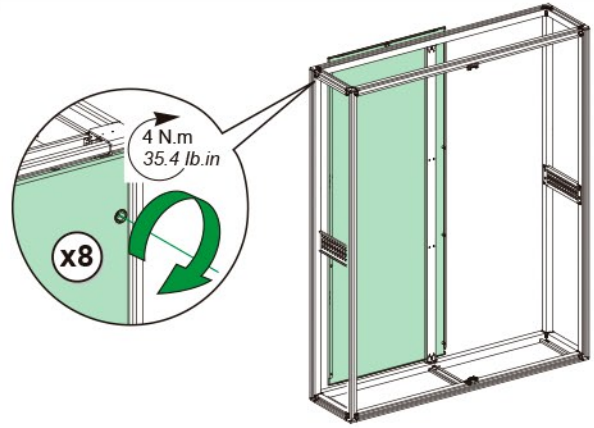
2



3



4

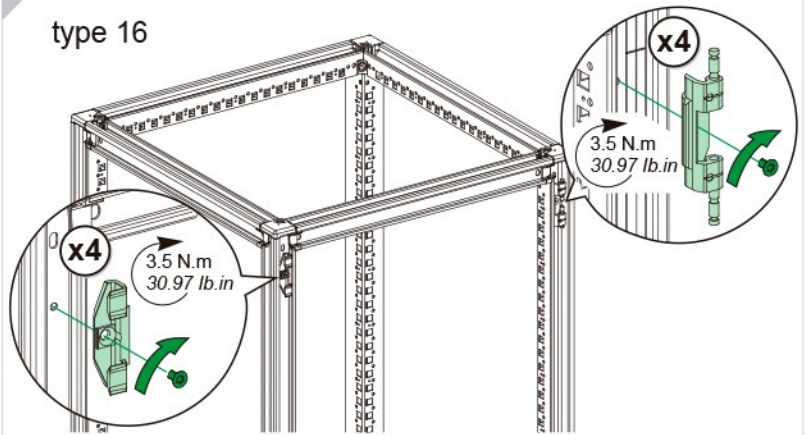


**A**

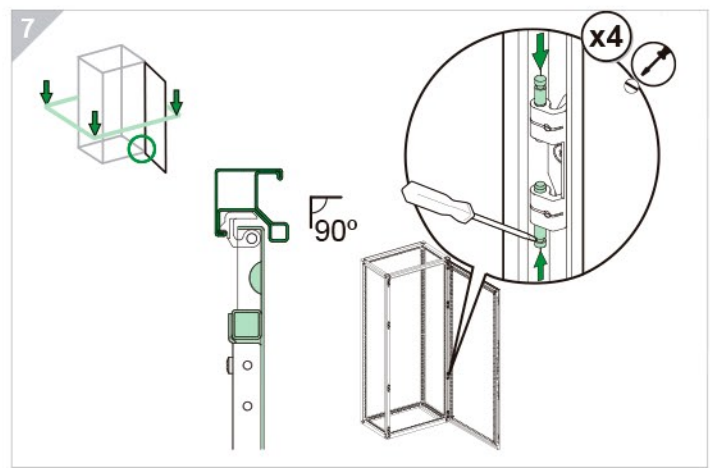
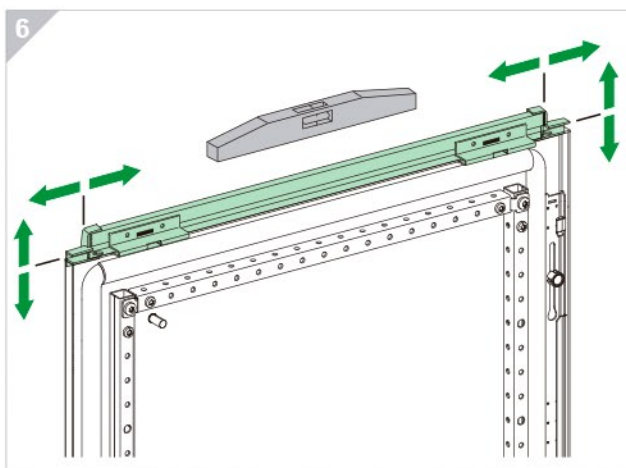
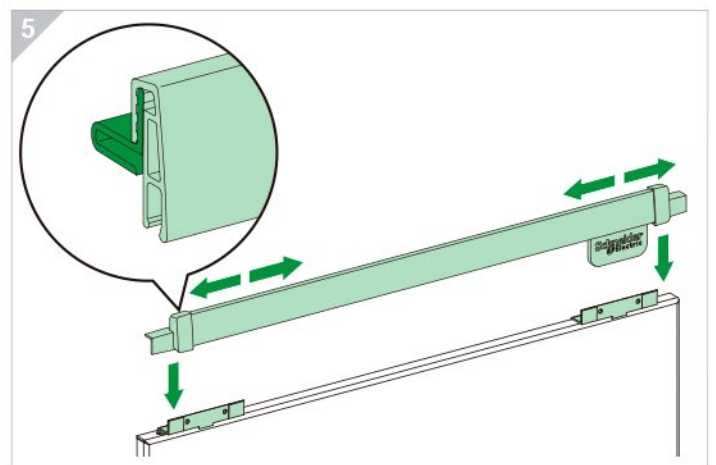
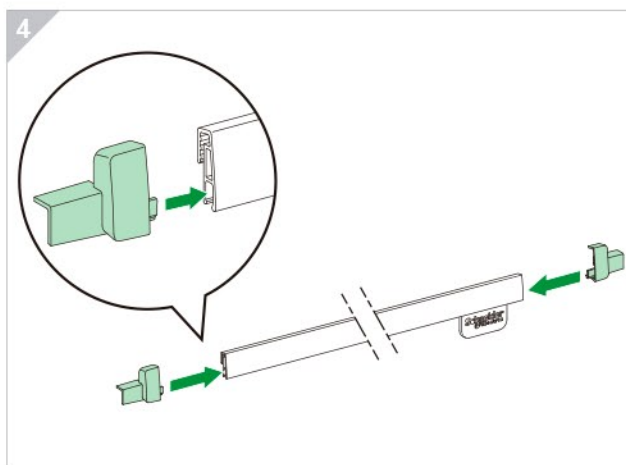
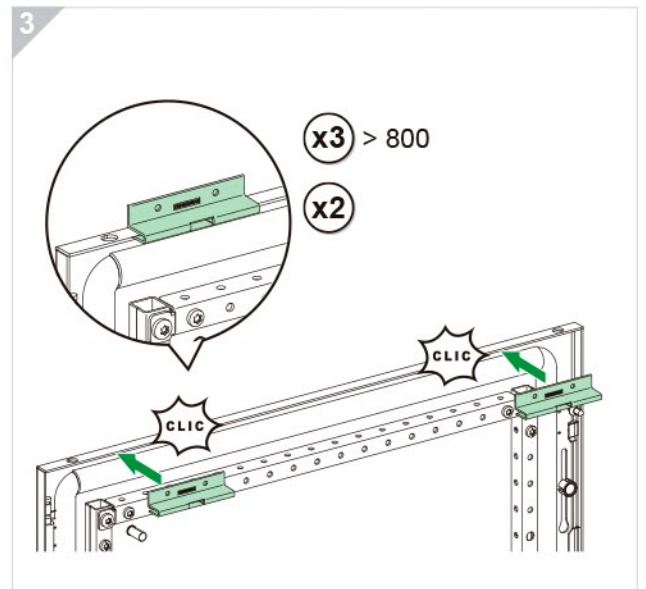
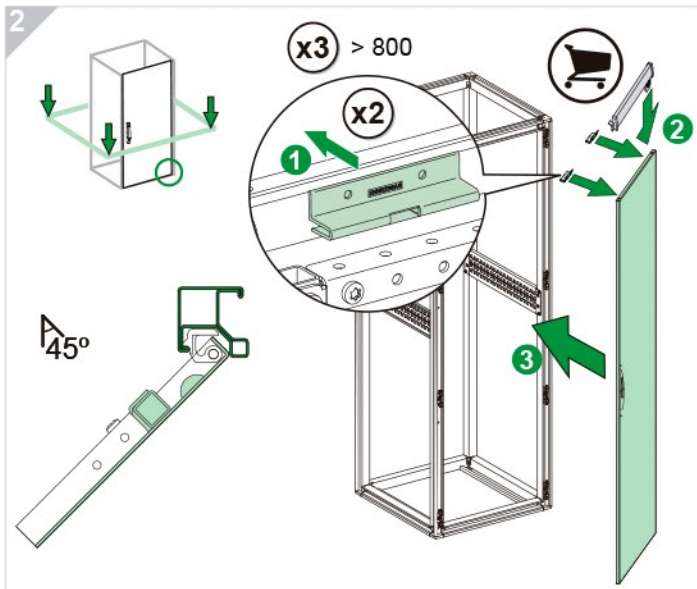


1

type 16

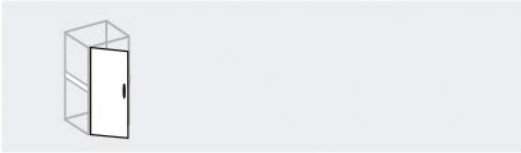




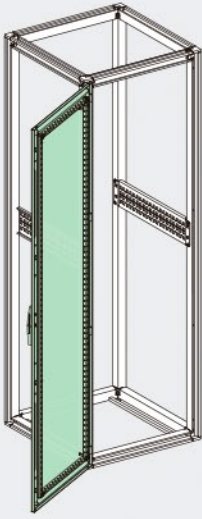


Door	Length	Cat. No.
1	300	NSYTRIM3SF
1	400	NSYTRIM4SF
1	500	NSYTRIM5SF
1	600	NSYTRIM6SF
1	700	NSYTRIM7SFP
1	800	NSYTRIM8SF
1	1000	NSYTRIM10SF

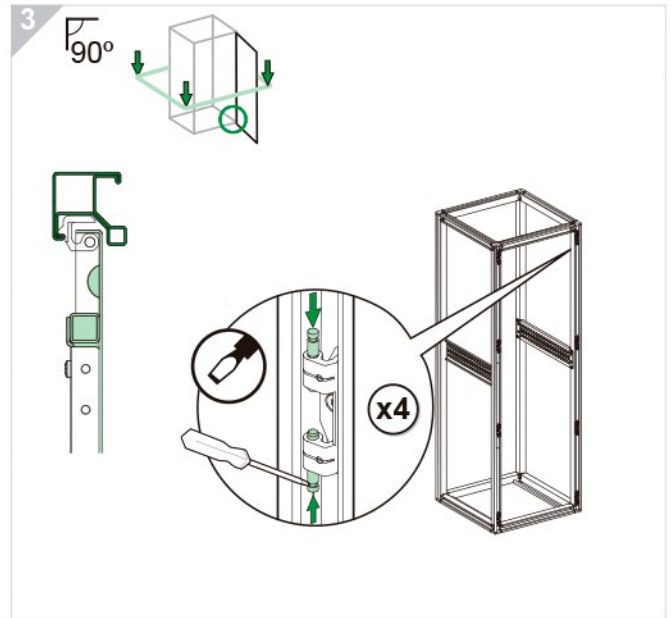
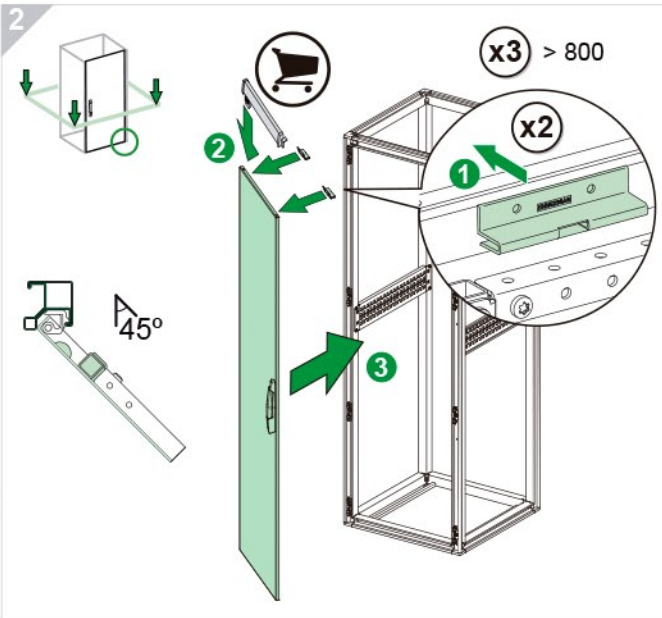
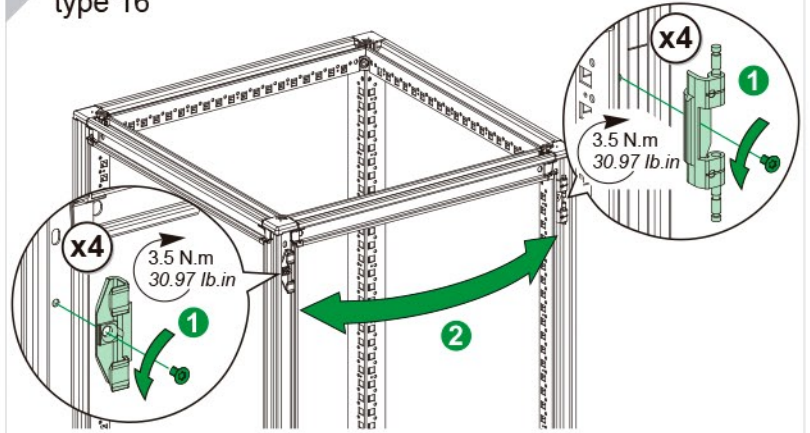
Door	Length	Cat. No.
2	800	NSYTRIM8SF2D
2	1000	NSYTRIM10SF2D
2	1200	NSYTRIM12SF2D
2	1600	NSYTRIM16SF2D

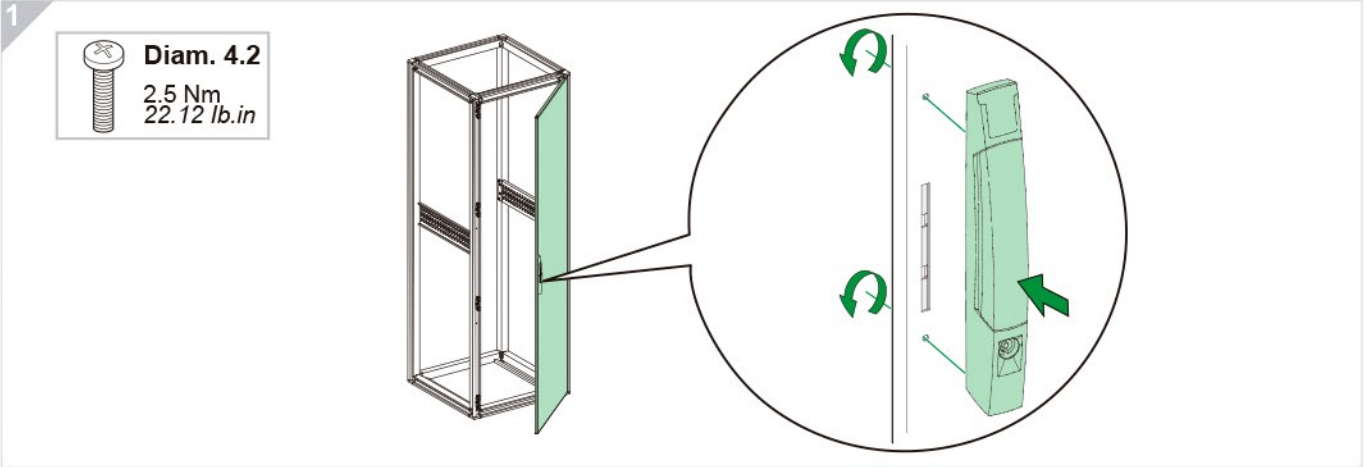
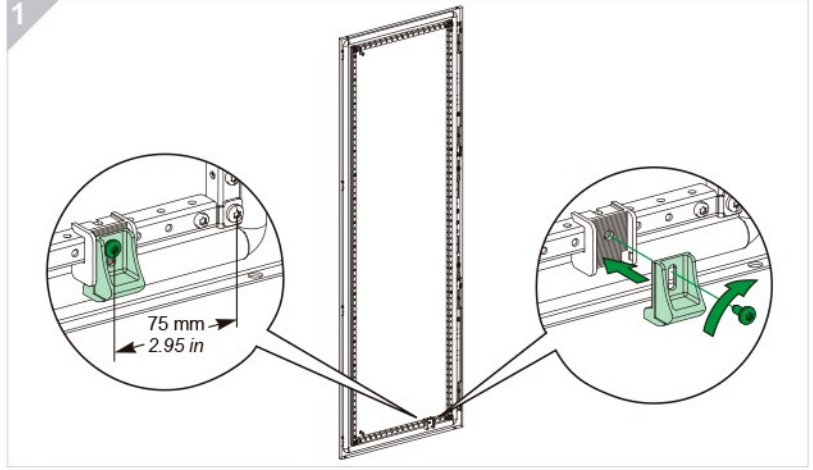
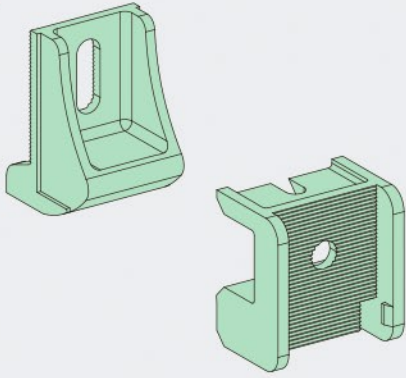
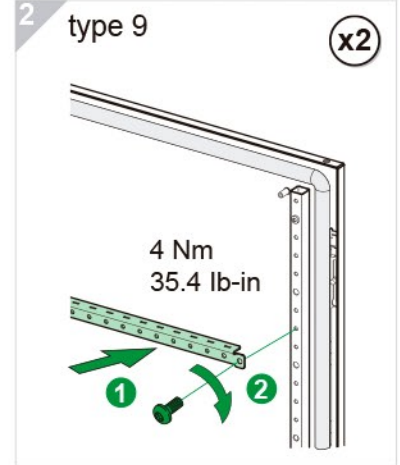


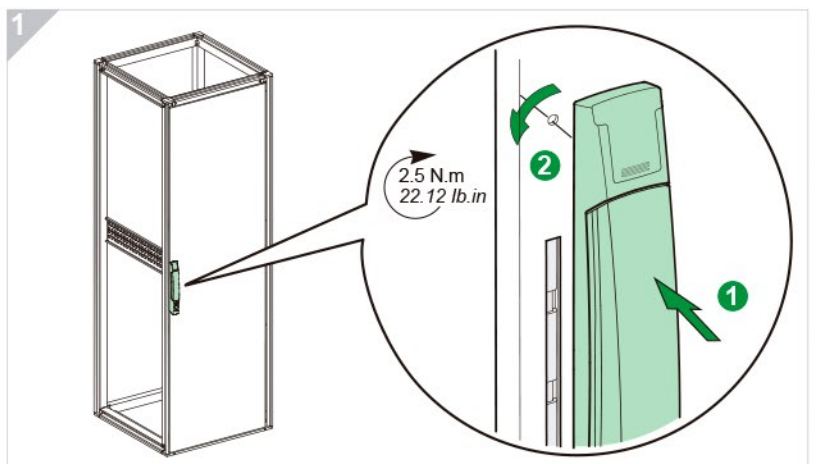
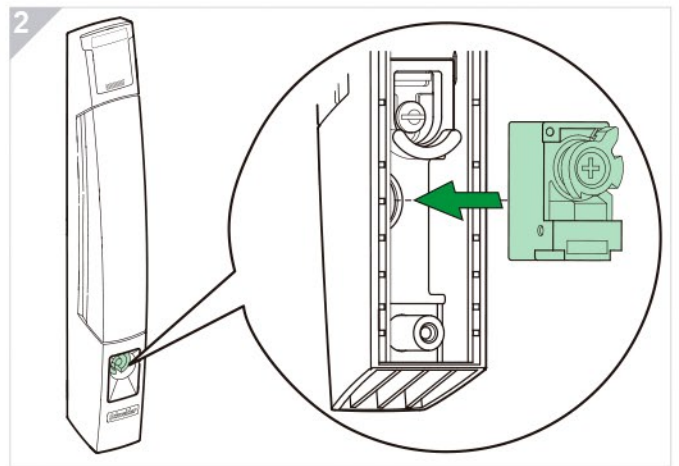
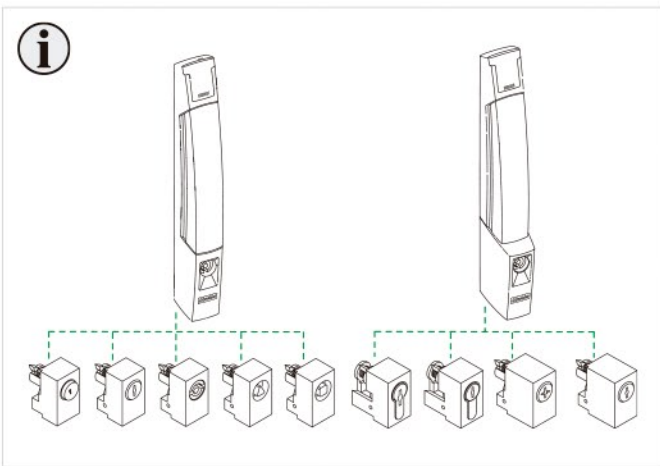
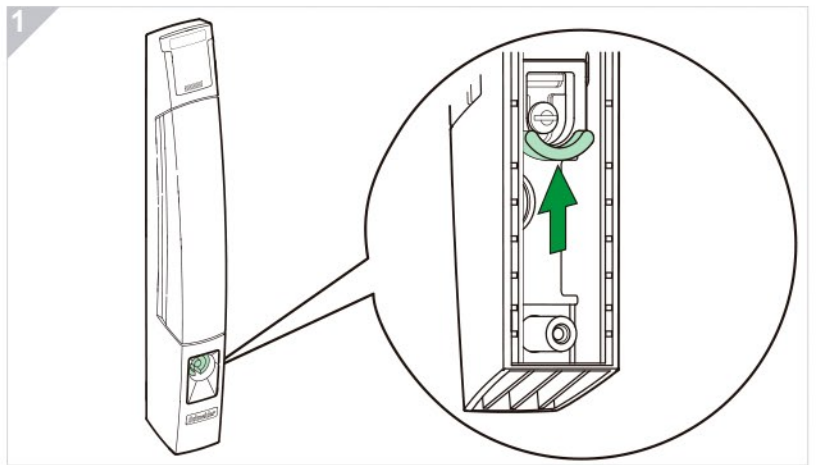
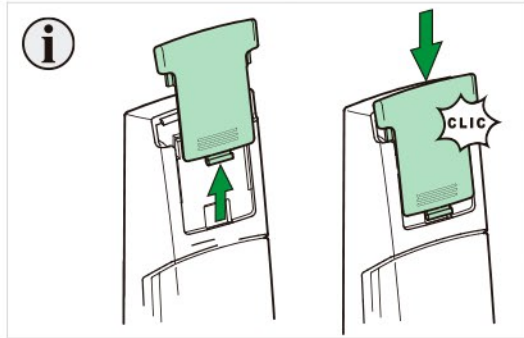
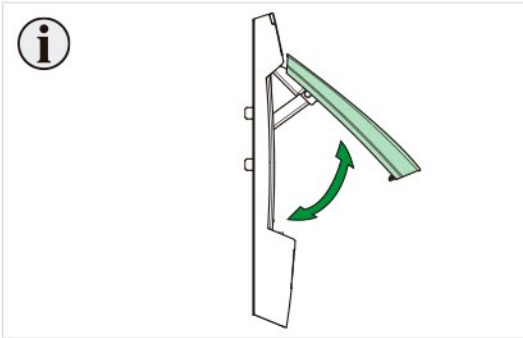
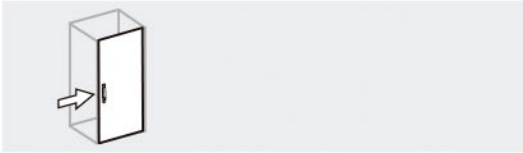
**A'**



**1** type 16



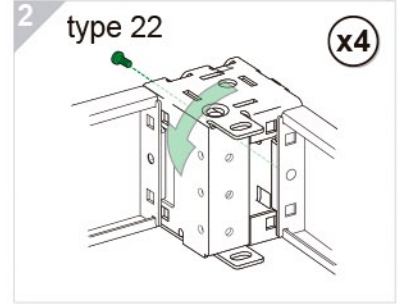
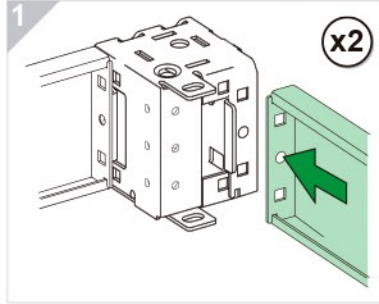
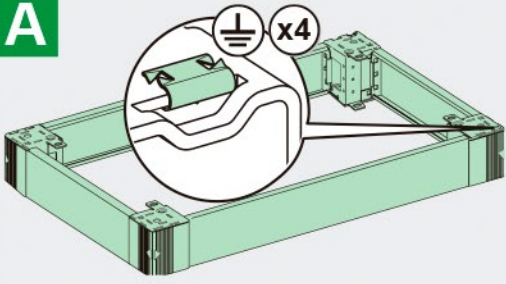
**A****A**





**NSYSPFxx100**  
**NSYSPSxx100**  
H = 100 mm  
H = 3.94 in

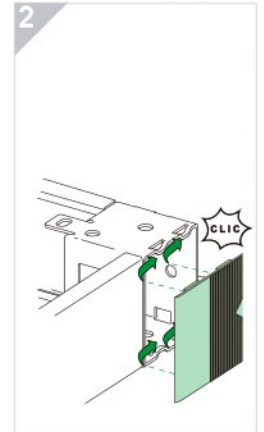
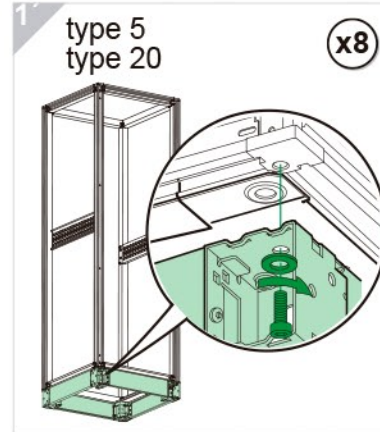
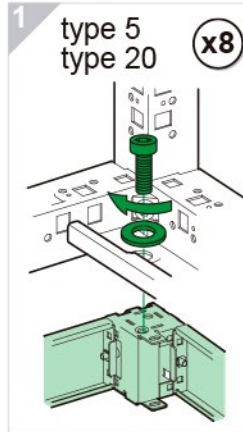
**A**



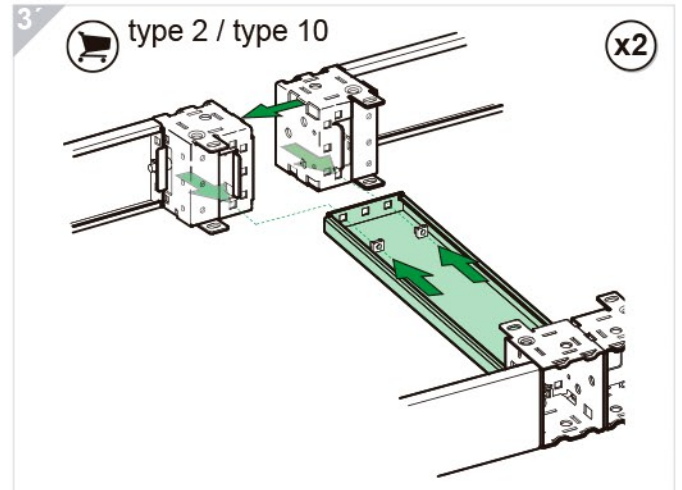
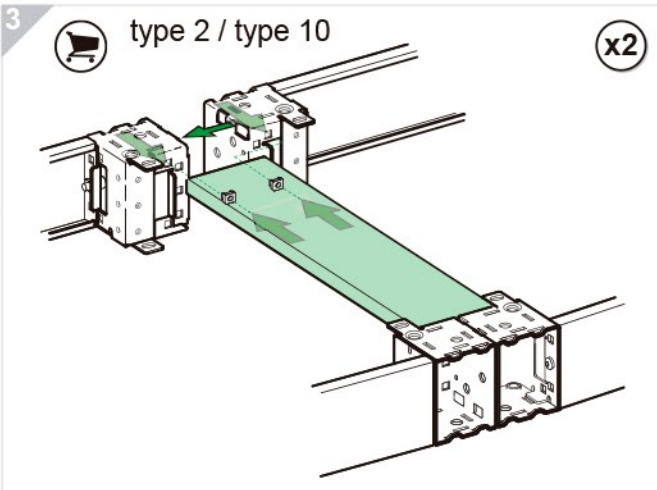
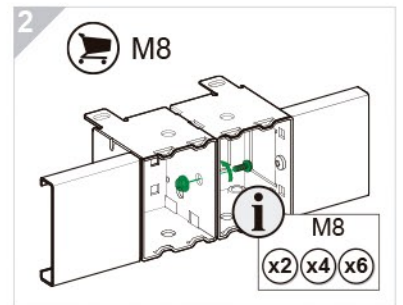
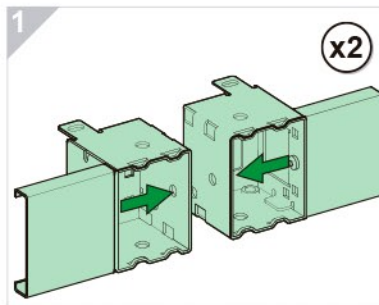
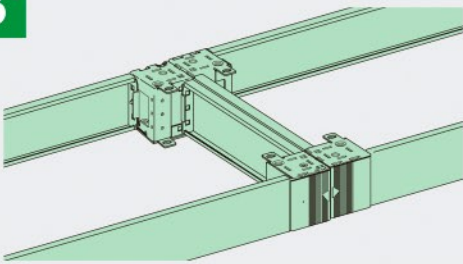
p. 16



**B**

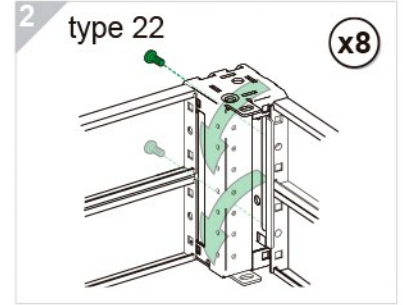
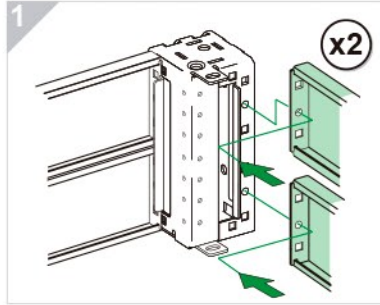
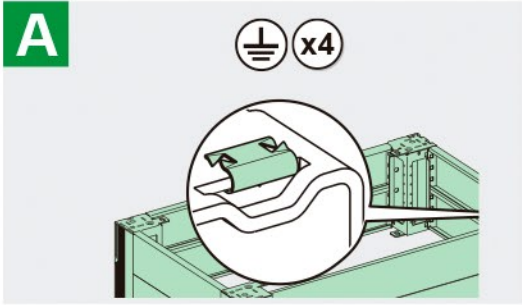


**B'**

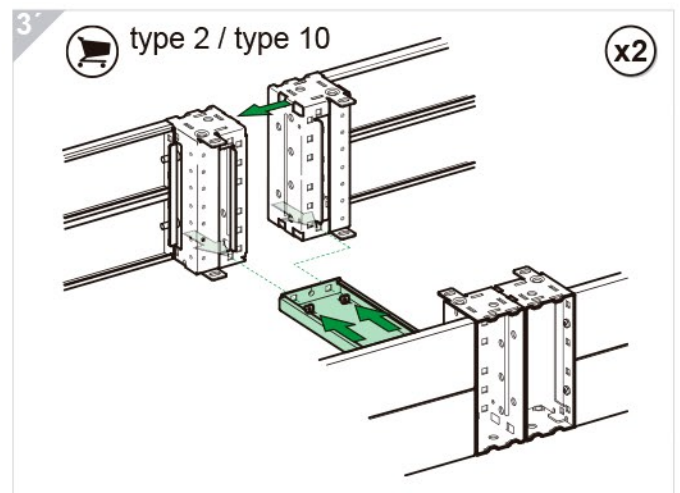
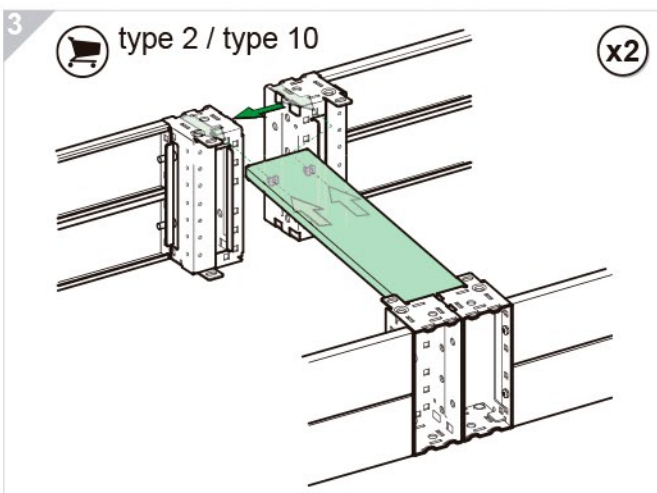
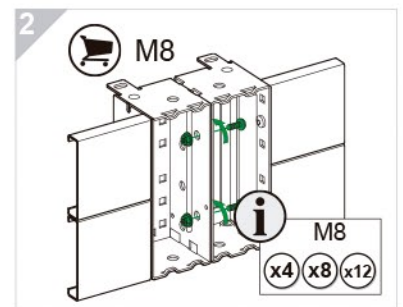
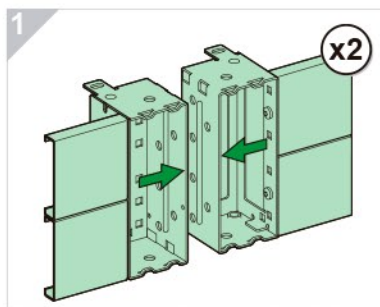
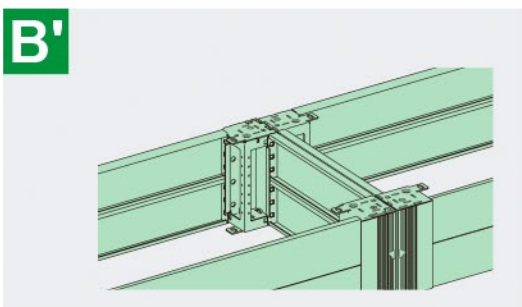
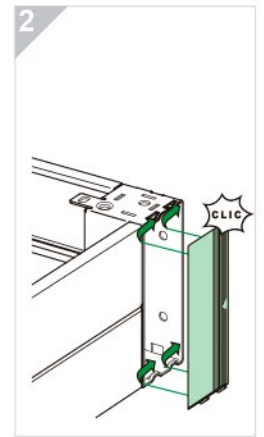
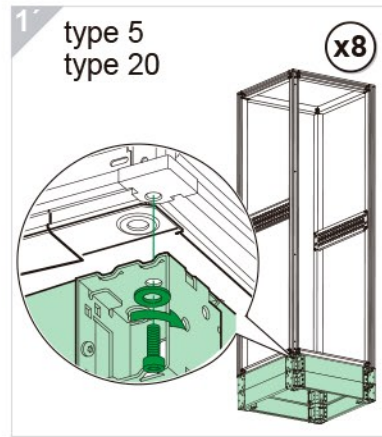
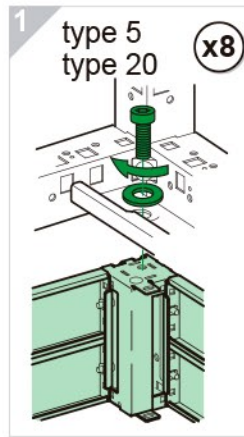


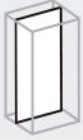


NSYSPFxx200  
NSYSPSxx200  
H = 200 mm  
H = 7.87 in



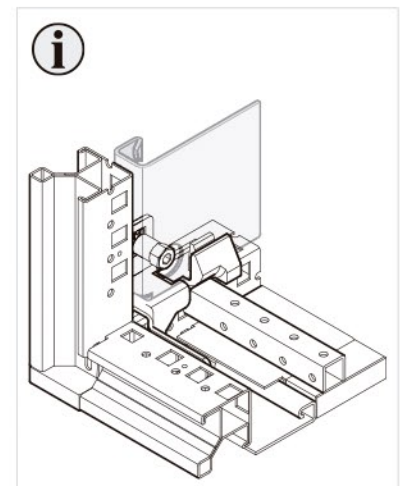
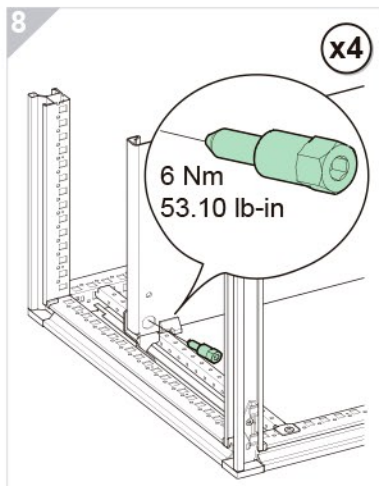
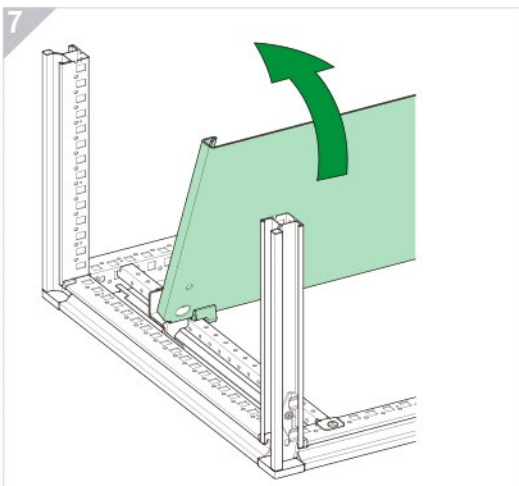
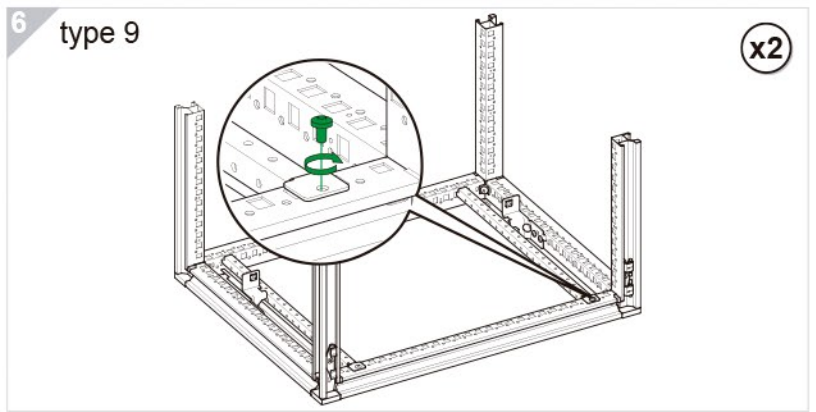
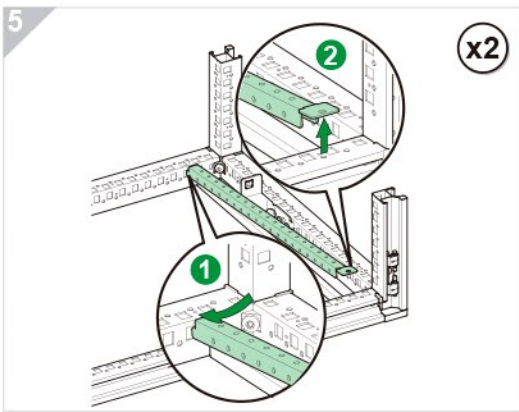
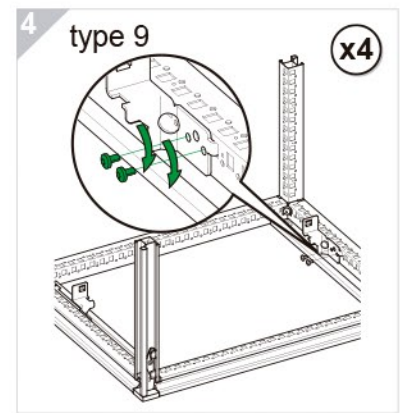
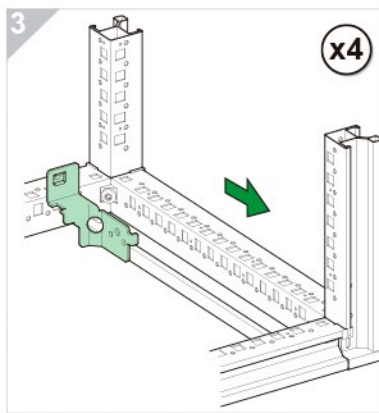
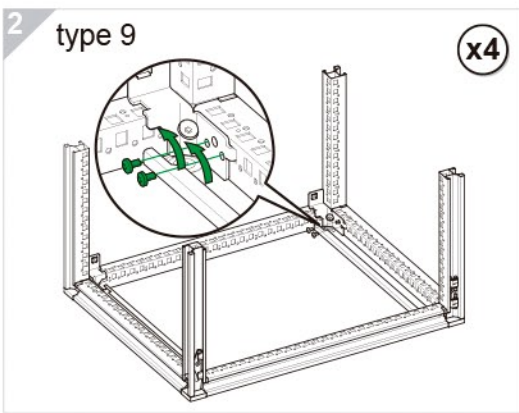
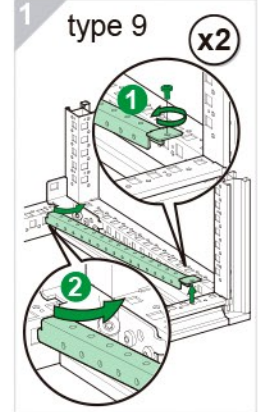
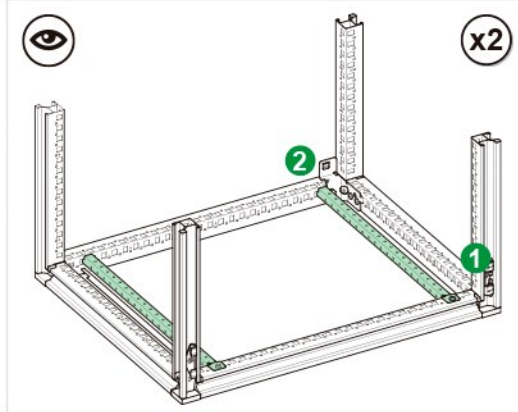
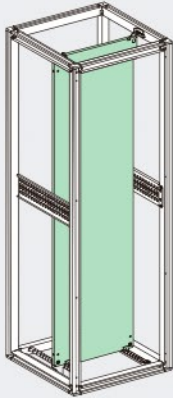
p. 16





NSYMPxx

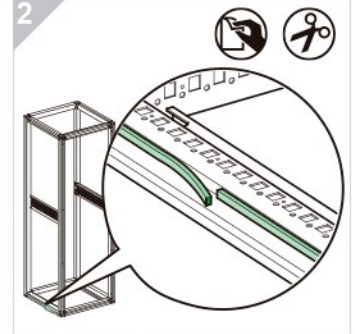
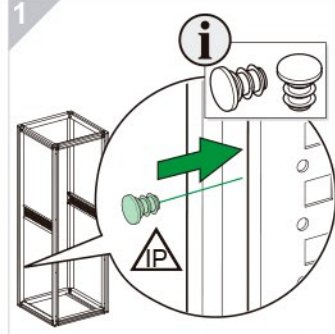
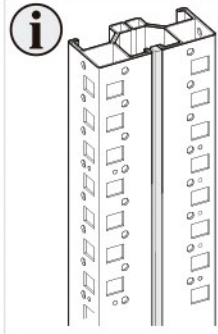
A



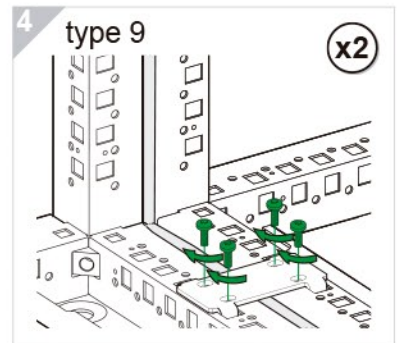
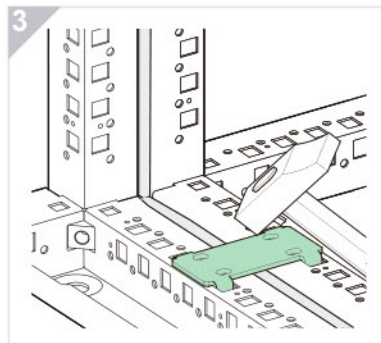
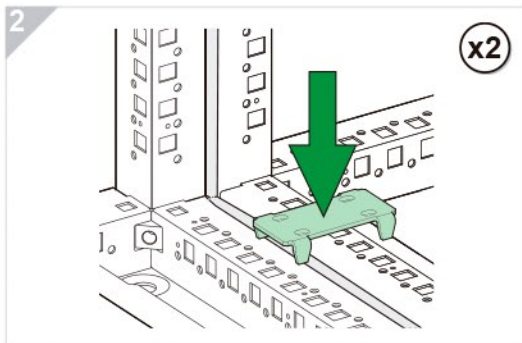
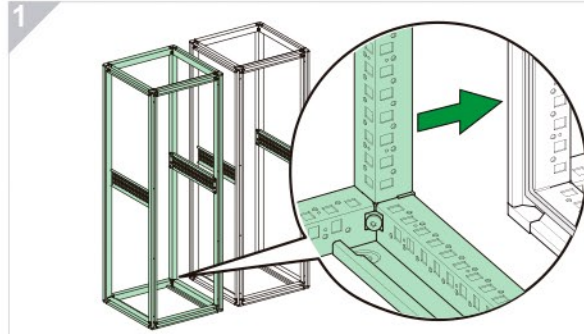


NSYSFBK

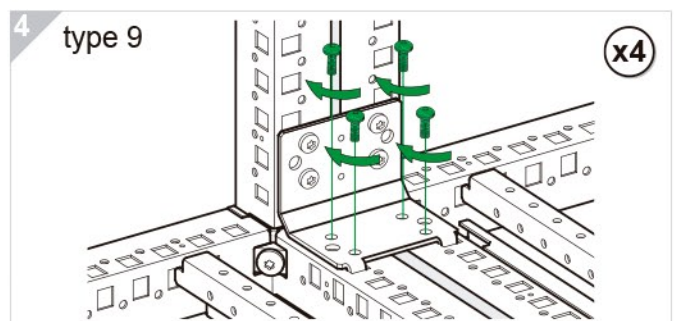
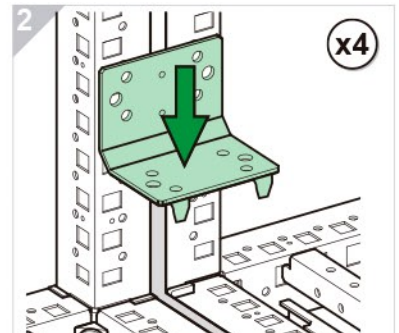
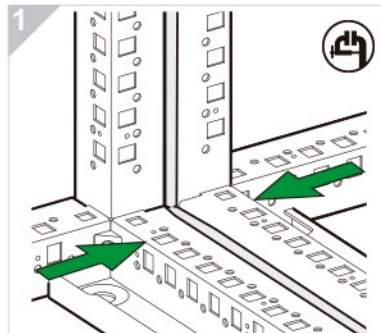
**A**



**B**



**C**

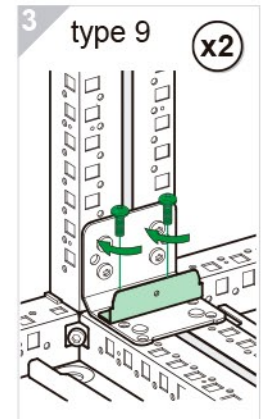
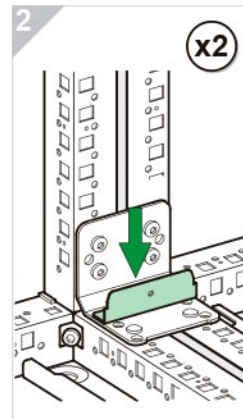
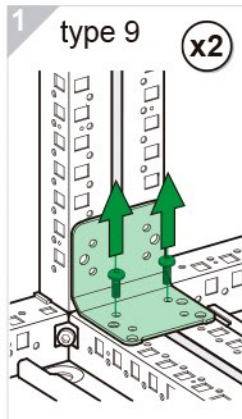
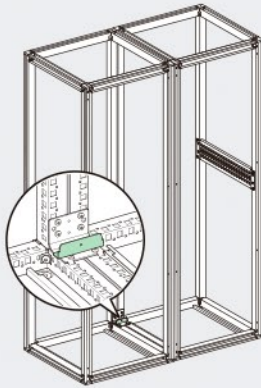




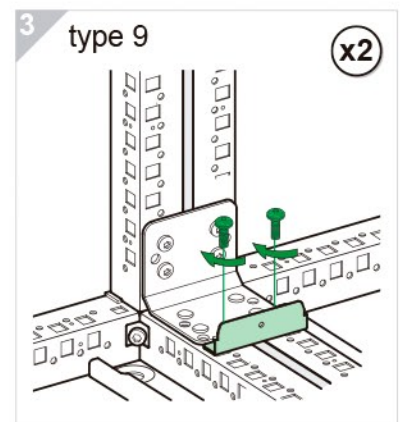
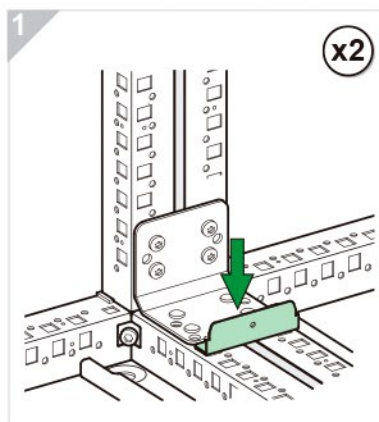
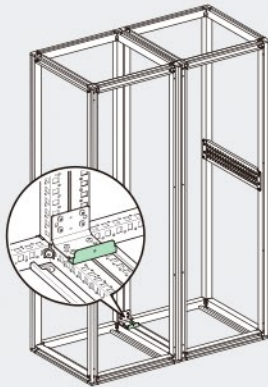


NSYSIMPxx

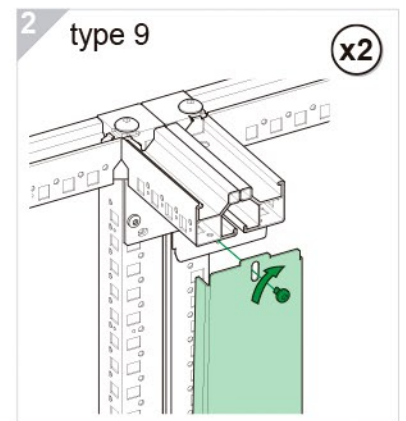
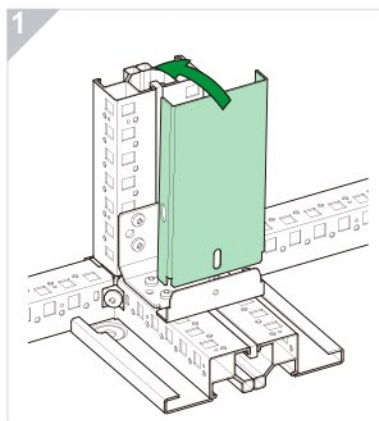
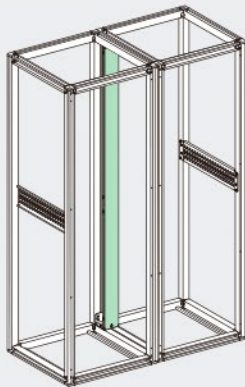
**A**



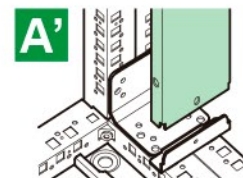
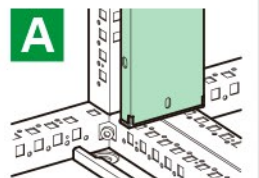
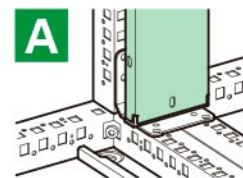
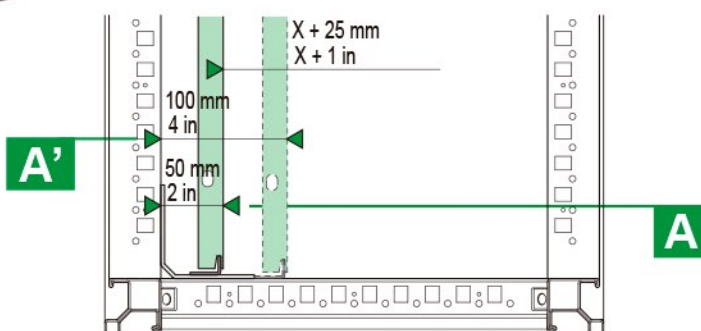
**A'**



**B**

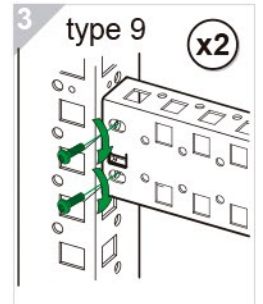
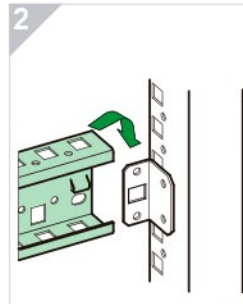
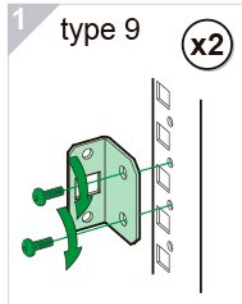
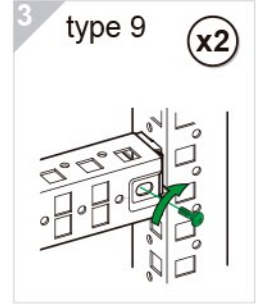
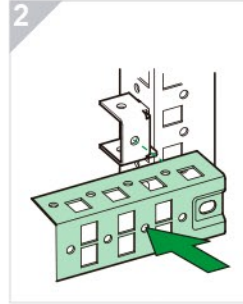
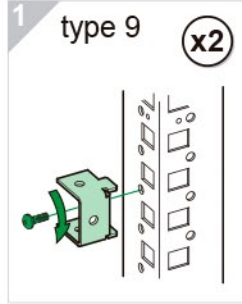
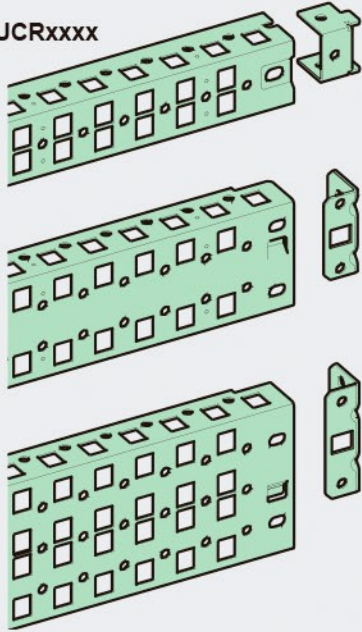


**i**

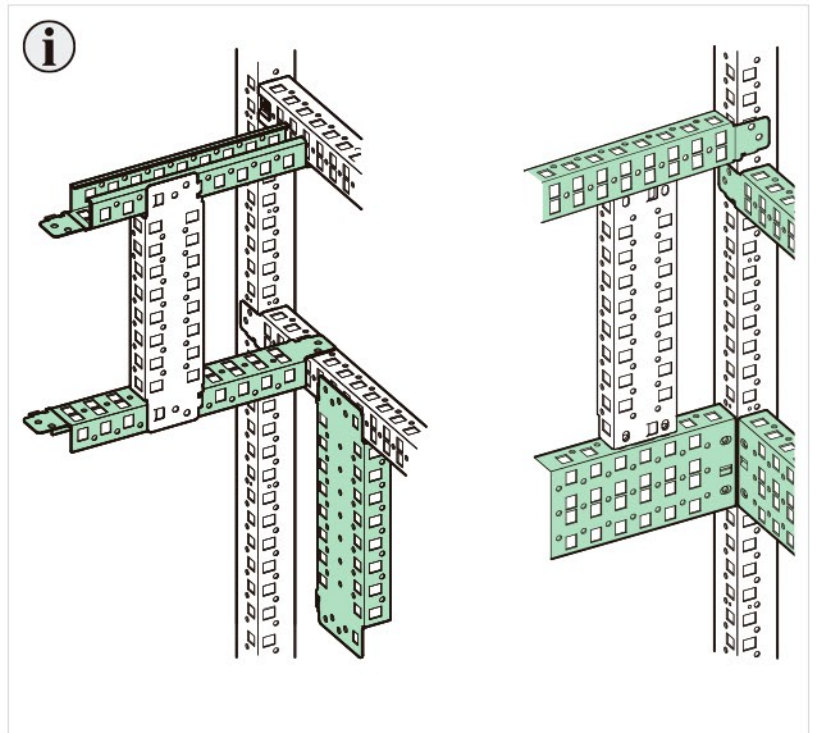
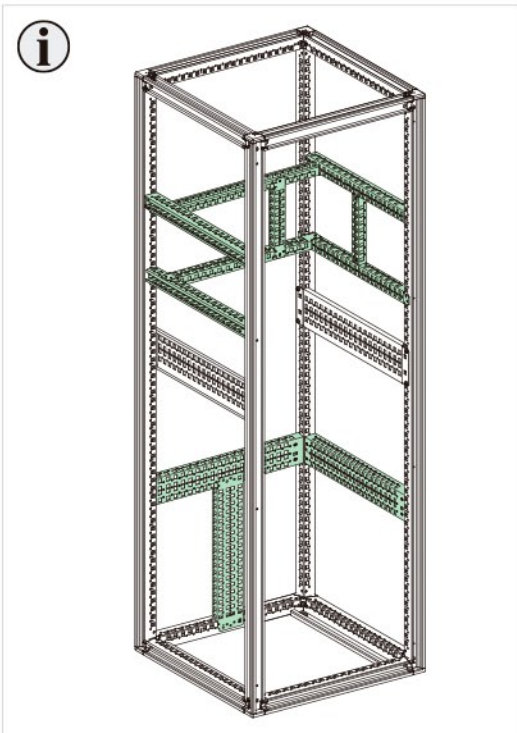
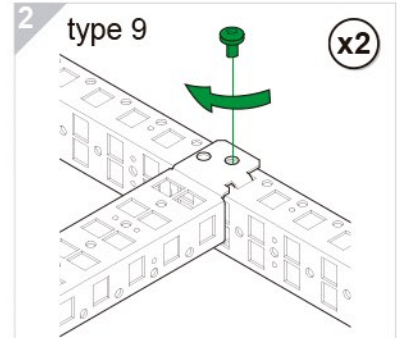
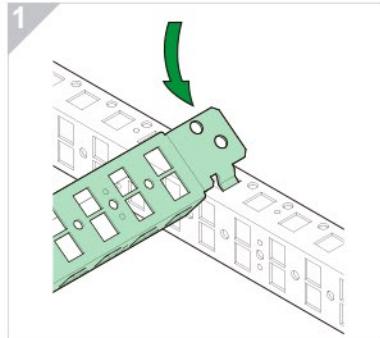
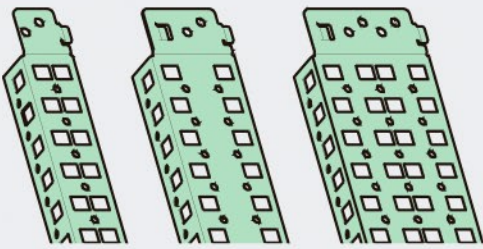




**A** NSYSUCRxxxx



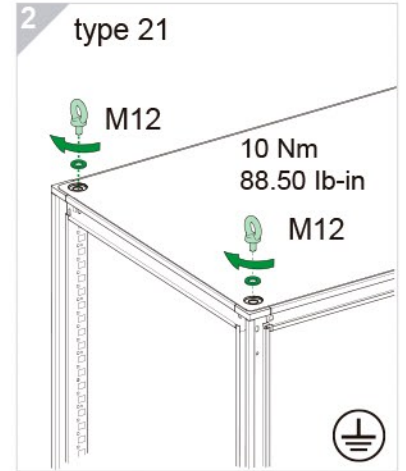
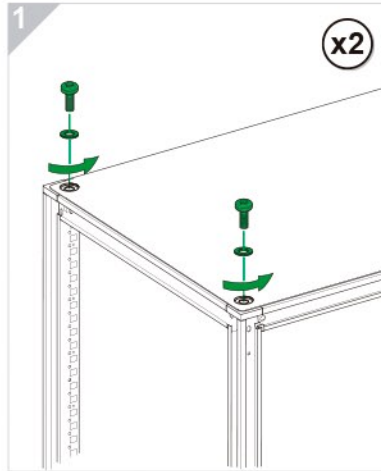
**A** NSYSQCRxxxx





**NSYSFEB**

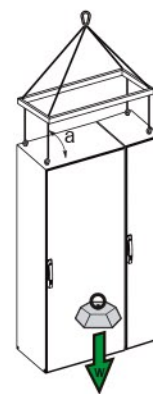
**A**



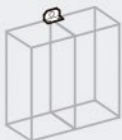
$a = 45^\circ$   $W < 580 \text{ kg} / 1277 \text{ lb}$   
 $a = 60^\circ$   $W < 415 \text{ kg} / 914 \text{ lb}$   
 $a = 90^\circ$   $W < 240 \text{ kg} / 528 \text{ lb}$



$a = 90^\circ$   
 $W < 750 \text{ kg} / 1655 \text{ lb}$

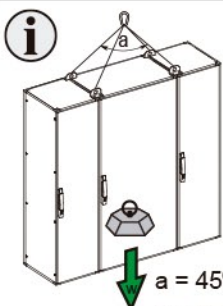
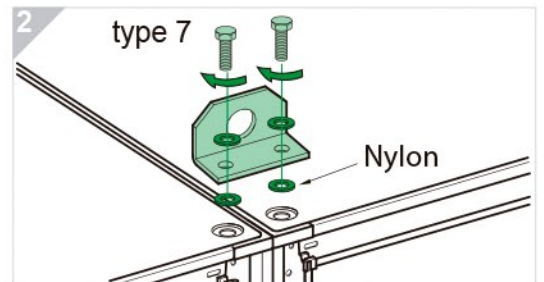
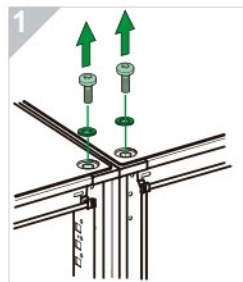


$a = 90^\circ$   
 $W < 1360 \text{ kg} / 2998 \text{ lb}$

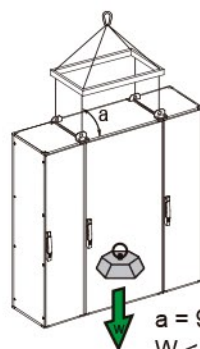


**NSYSFELB**

**A**



$a = 45^\circ$   $W < 2800 \text{ kg} / 6173 \text{ lb}$   
 $a = 60^\circ$   $W < 2000 \text{ kg} / 4410 \text{ lb}$   
 $a = 90^\circ$   $W < 1100 \text{ kg} / 2425 \text{ lb}$



$a = 90^\circ$   
 $W < 3000 \text{ kg} / 6614 \text{ lb}$

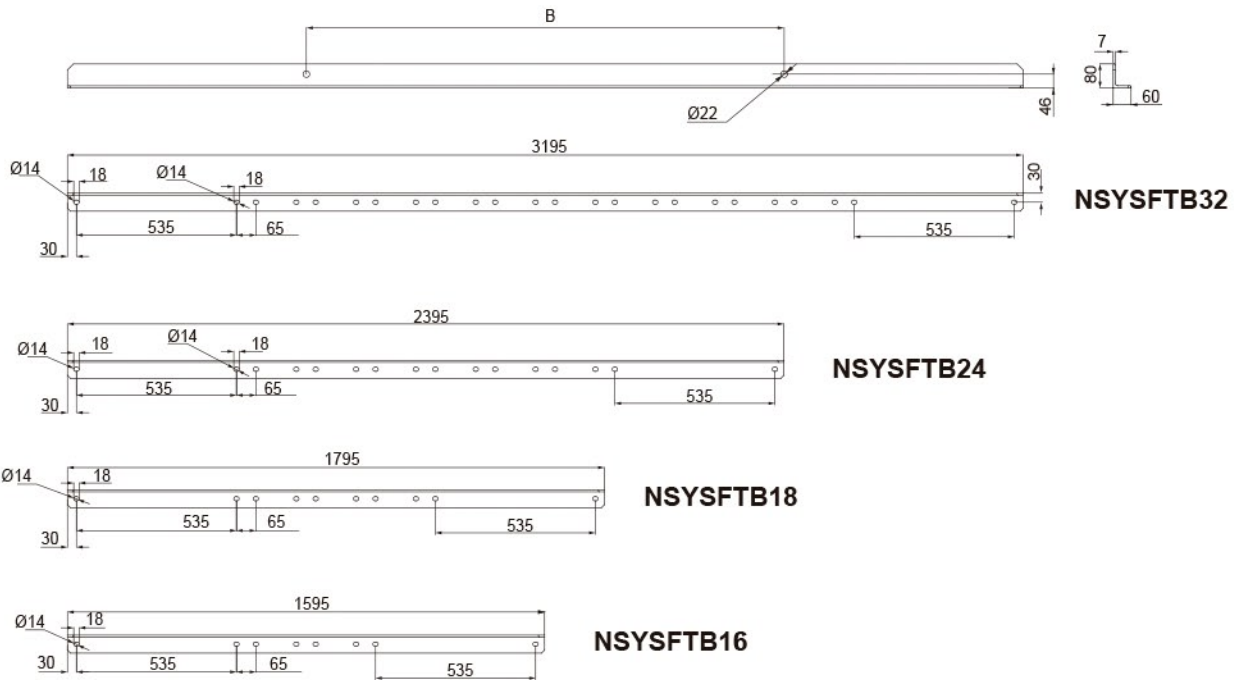


$a = 90^\circ$   
 $W < 1500 \text{ kg} / 3307 \text{ lb}$

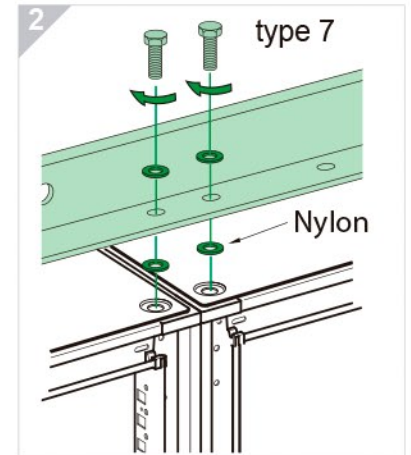
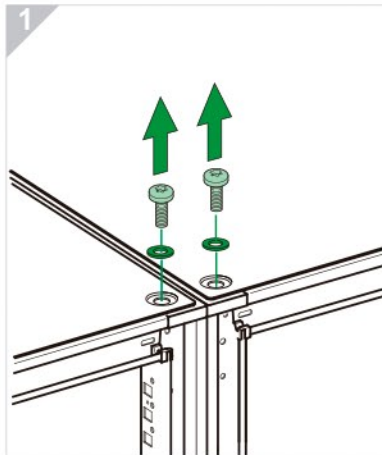
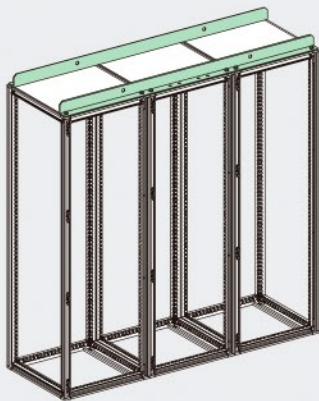




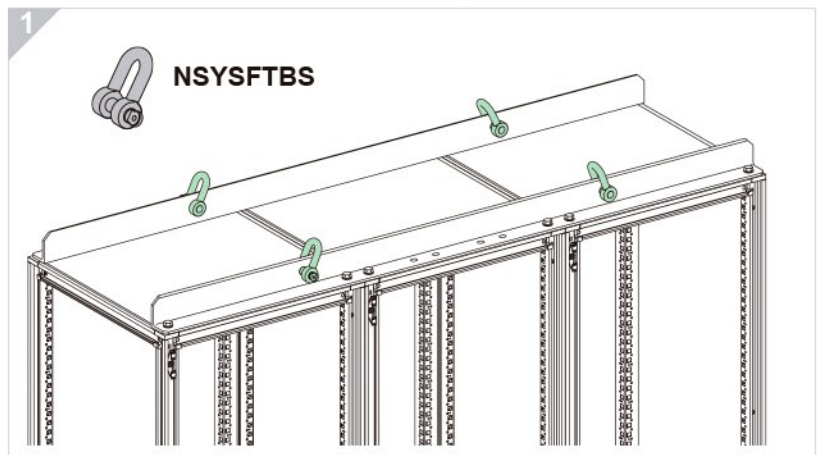
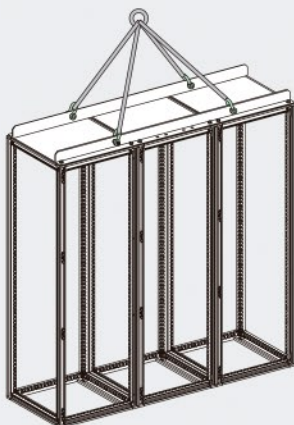
Reference	Length (mm)	Maximum load (kg)	B (mm)	Maximum amount of assembled enclosures to be lifted
<b>NSYSFTB16</b>	1595	2000	800	2
<b>NSYSFTB18</b>	1795	3000	900	3
<b>NSYSFTB24</b>	2395	3000	1200	4
<b>NSYSFTB32</b>	3195	4000	1600	5

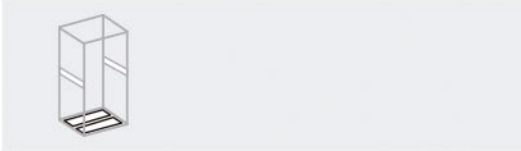


**A**

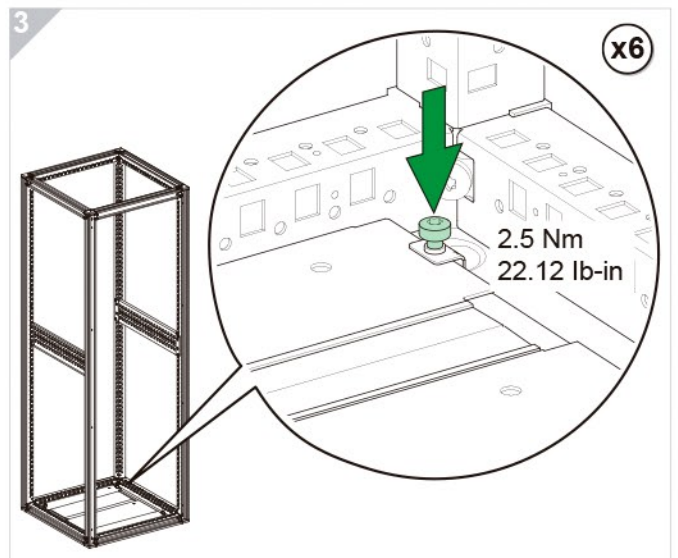
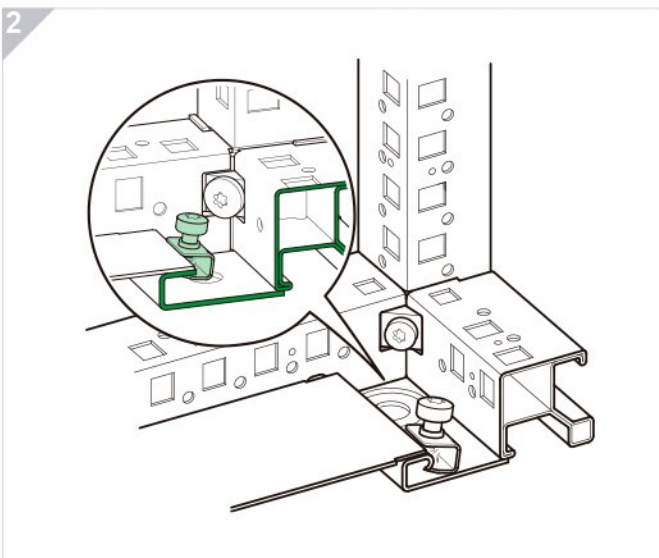
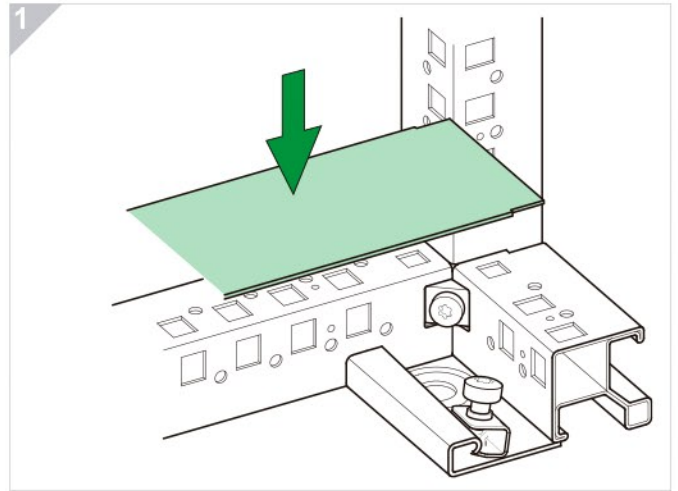
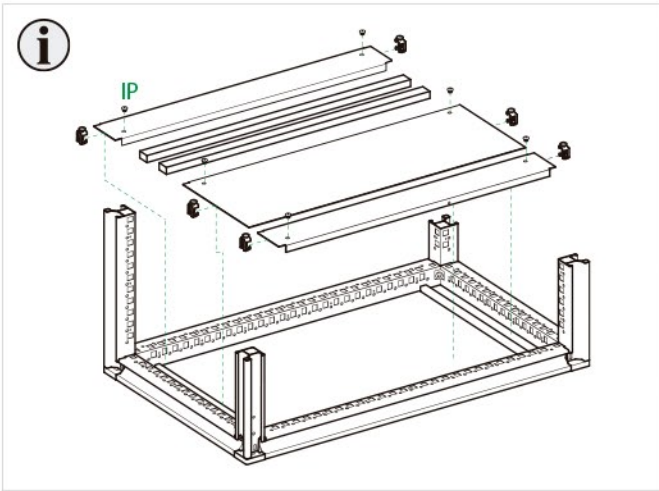
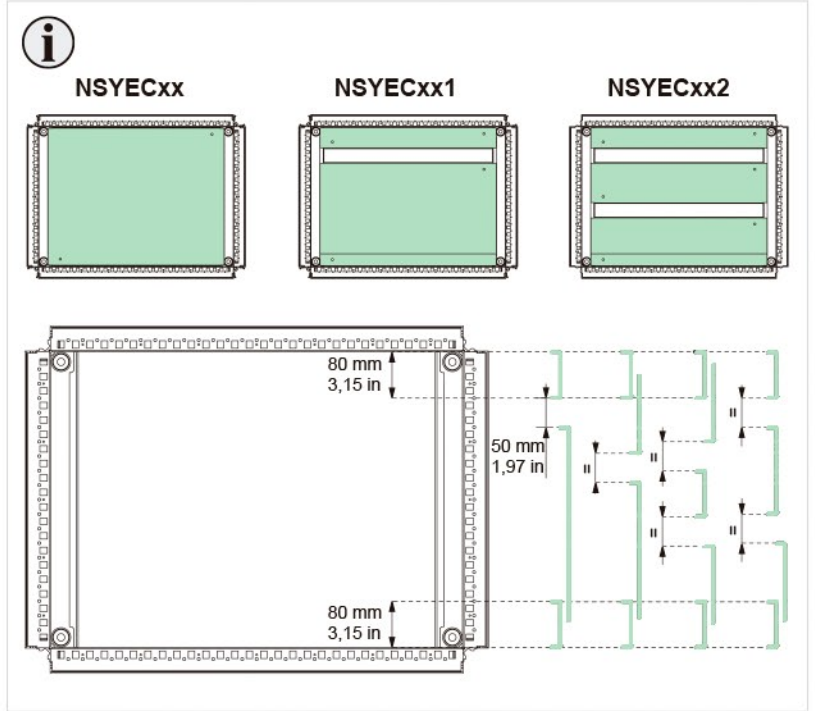
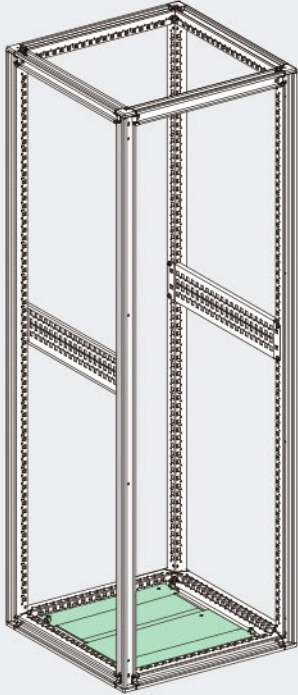


**B**





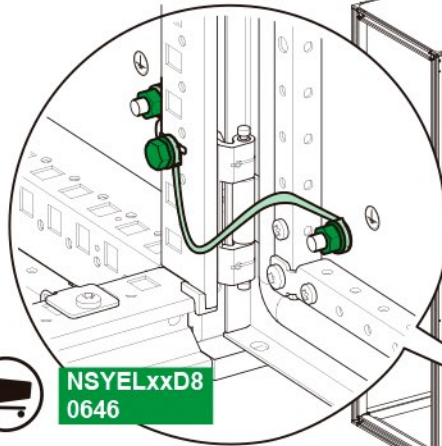
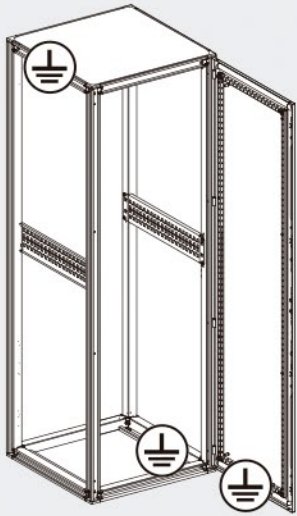
**A**



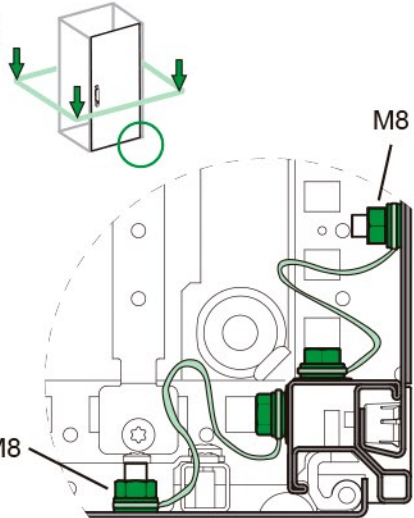


NSYELxxD8  
0646

**A**



NSYELxxD8  
0646

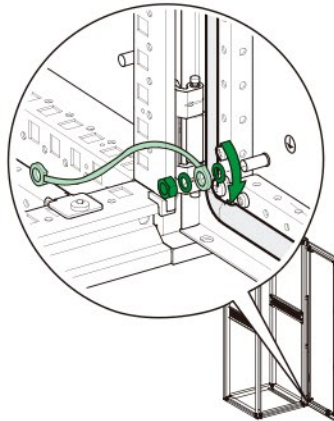


M8

M8

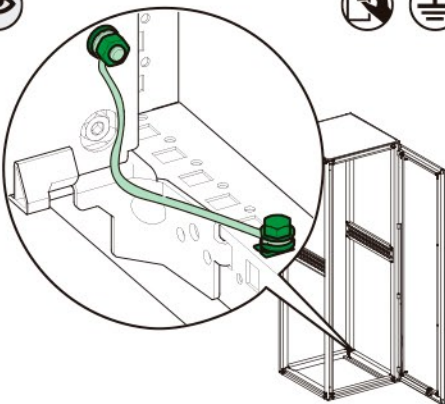
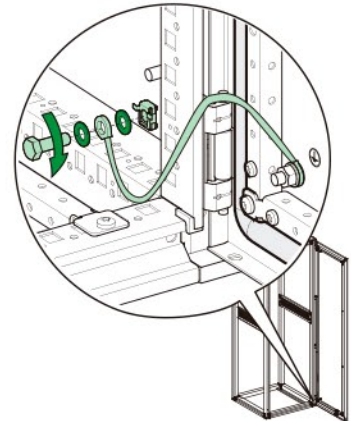
1

type 15 / type 17



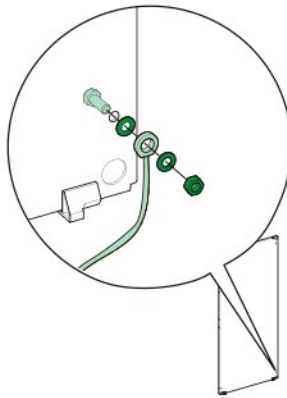
2

type 6 / type 14 / type 17



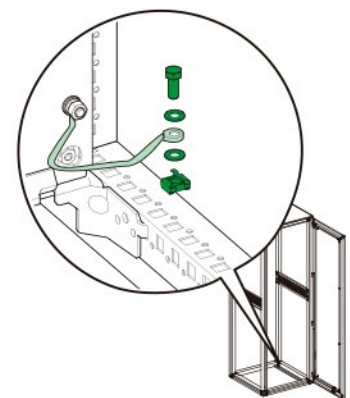
1

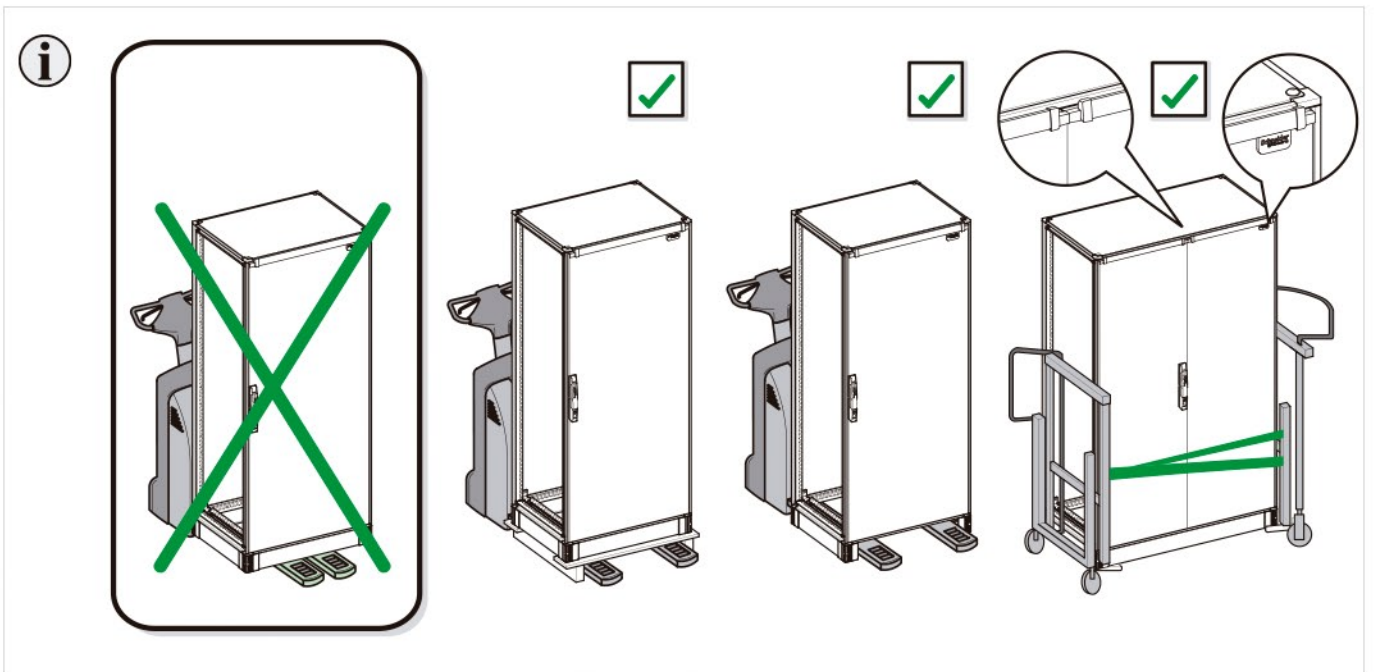
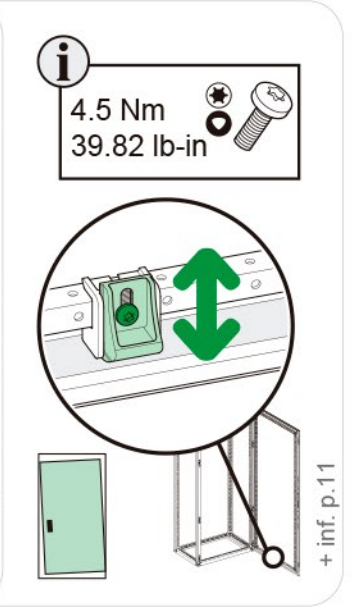
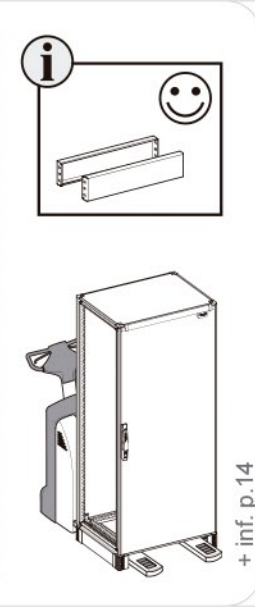
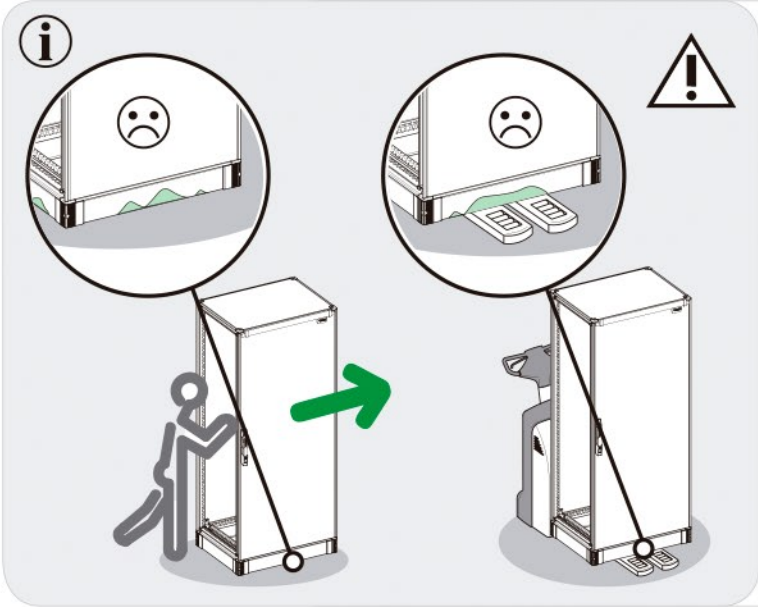
type 15 / type 17



2

type 6 / type 14 / type 17





---

**Schneider Electric Industries SAS**

35, rue Joseph Monier  
CS 30323  
F- 92506 Rueil Malmaison Cedex

RCS Nanterre 954 503 439  
Capital social 896 313 776 €  
[www.schneider-electric.com](http://www.schneider-electric.com)

7314010001-15

© 2017 - Schneider Electric - All rights reserved.

En raison de l'évolution des normes et du matériel, les caractéristiques indiquées par les textes et les images de ce document ne nous engagent qu'après confirmation par nos services.

*As standards, specifications and designs change from time to time, please ask for confirmation of the information given in this publication.*

Publication : Schneider Electric  
Réalisation : Schneider Electric  
Impression :



*Ce document a été imprimé sur du papier écologique.  
This document has been printed on ecological paper.*