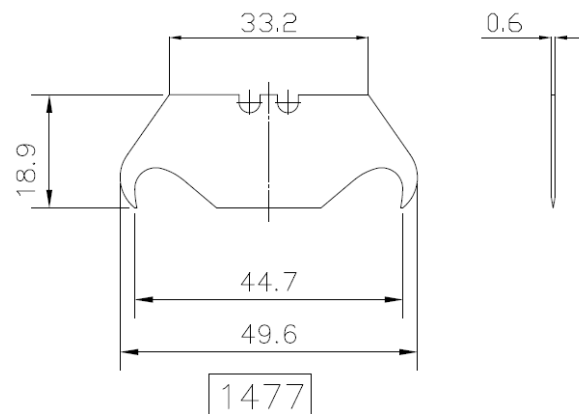




ENGLISH

Datasheet  
**Stock No. 613-454**  
**Hooked Knife Blade**



Specifications

Material: SK-2 steel blade  
Finish: Nature color of knife blade  
Hardness: Heat treated to HRC: 58-64 degree

Contents:  
5 pc- Hook utility knife blades (thickness of blade - 0.6 mm)

Feature:  
Heavy duty, hooked and concave blades are available in packs of five and ten