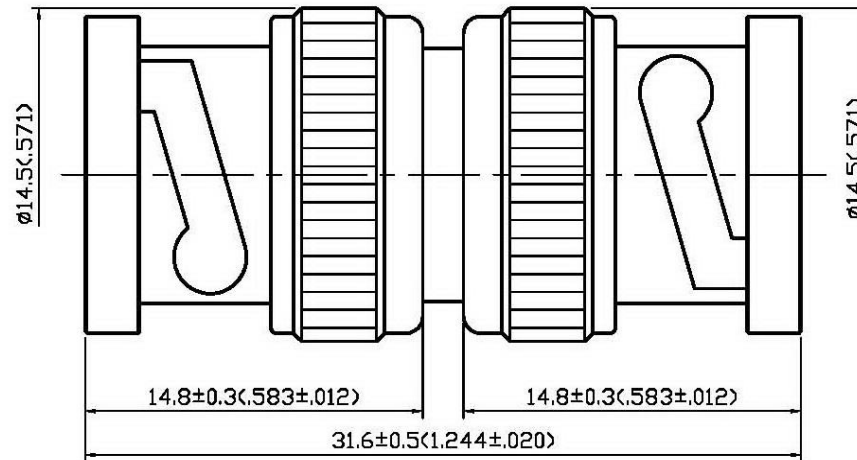


NO	DESCRIPTION	DATE
①	ADD VSWR	06.05.12'
②	WORKING VOLTAGE — VOLTAGE RATING DEL PROOF VOLTAGE	11.26.12'



#### 1.0 ELECTRICAL

- 1.1 FREQUENCY RANGE: DC-4 GHz  
 1.2 NOMINAL IMPEDANCE: 50 OHMS  
 1.3 VOLTAGE RATING: 500 VOLTS MAX. ②  
 1.4 VSWR: 1.3 MAX. @1 GHz ①

#### 2.0 MATERIALS

- 2.1 BODIES: BRASS PER JIS-C3604  
 2.2 CENTER CONTACT: BRASS PER JIS-C3604  
 2.3 INSULATION: TEFLON PER ASTM D1457 AND ASTM D1710

#### 3.0 FINISHES AND OTHERS

- 3.1 SEE BELOW TABLE FOR DETAILS.

#### 4.0 ENVIRONMENTAL

- 4.1 OPERATING TEMPERATURE RANGE: -85° C TO +165° C

8	WASHER	BRASS	2	NICKEL
7	CENTER CONTACT	BRASS	1	SILVER 70μ" MIN.
6	BODY	BRASS	1	SILVER 70μ" MIN.
5	WASHER	BRASS	2	SILVER 70μ" MIN.
4	SPRING WSHR	SK-5	2	NICKEL
3	GASKET	SILICONE	2	RED
2	INSULATION	TEFLON	2	NONE
1	SHELL	BRASS	2	SILVER 70μ" MIN.
NO	DESCRIPTION	MATERIAL	Q'TY	FINISH

APPROVED

by \_\_\_\_\_ DATE: \_\_\_\_\_



DESCRIPTION		STRAIGHT BNC PLUG-PLUG ADAPTER							
製圖	DRAWN	TOLERANCE	品名	13-30	T.S.S	日期	DATE	版次	REV.
	Kristina	.X ±0.2	TITLE	\ROHS COMPLIANT (50Ω)		11.19.92'		B-2	
檢圖	CHECK	.XX ±0.1	單位	mm(in)	DWG.NO.	13-0213			
	Arc	.XXX ±0.05	比例	SCALE					
認定	APPROVAL	ANGLE ±5°	比例	4:1					
	Jenny								