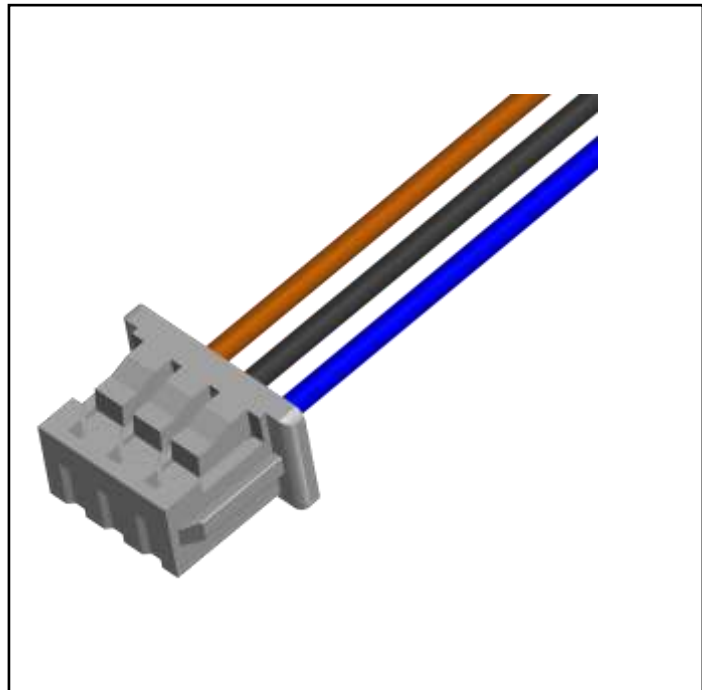


FEATURES

- Quick and easy to install
- User friendly
- 200mm PVC cable

RS PRO CABLE FOR MEMS FLOW SENSOR 200mm CABLE 3 POS. FREE ENDS

RS Stock No.: 2055981



RS Professionally Approved Products bring to you professional quality parts across all product categories. Our product range has been tested by engineers and provides a comparable quality to the leading brands without paying a premium price.

RS PRO CABLE FOR MEMS FLOW SENSOR

Product Description

- RS Pro Cable for MEMS Flow Sensor
- 200mm Sensor Cable with 3-position plug to free/stripped end connection. It is suitable for MEMS airflow sensor.
- Sensing & Instrumentation

General Specifications

Cable Length	200 mm
Accessory Type	Cable
Connector Type A	Circular Plug
Connector Type B	Free End
No. Of Positions	3

Protection Category

Degree of Protection	IP67
----------------------	------

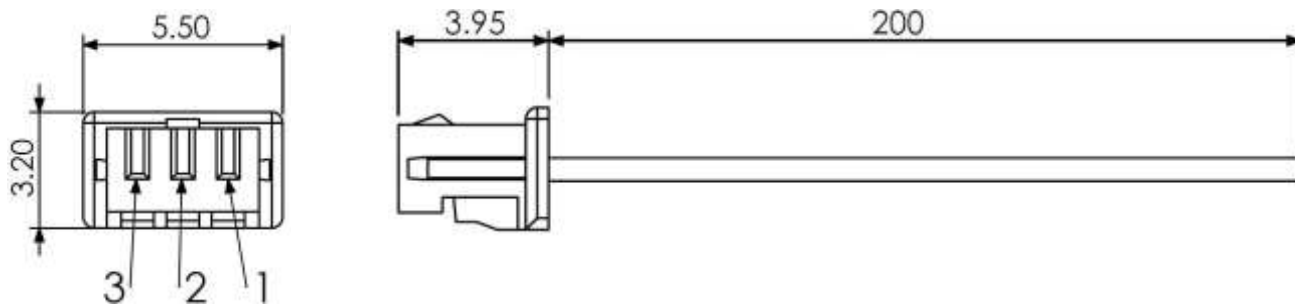
Additional Information

Custom Tariff Number	85369090
----------------------	----------

Similar Products

Stock No.	Brand	Product Name	Attribute 1	Attribute 2
205-5975	RS PRO	RS Pro Cable Flow Sensor	200mm Sensor Cable with 3-position plug to free ends connection	Sensor Cable for Flow Sensor

RS PRO CABLE FOR MEMS FLOW SENSOR



All Dimensions are in mm.