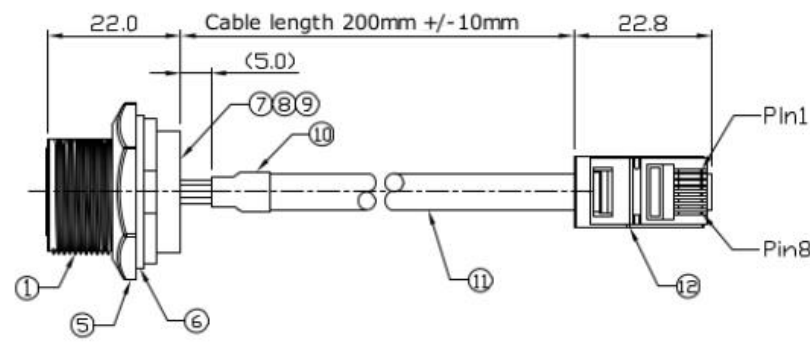
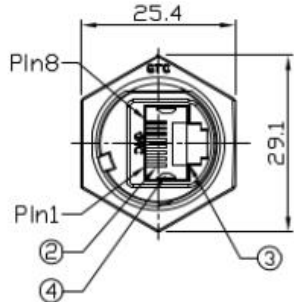




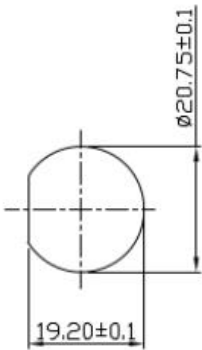
Notes: (Unless Otherwise Specified)

1. Waterproof Rate: IP67.
2. Recommend Panel Thickness: 0.8 to 4.0 mm.
3. Recommend Torque: 14~15 Kgf-cm.
4. Mating Cap P/N: 125-7929
5. RoHS Compliant.

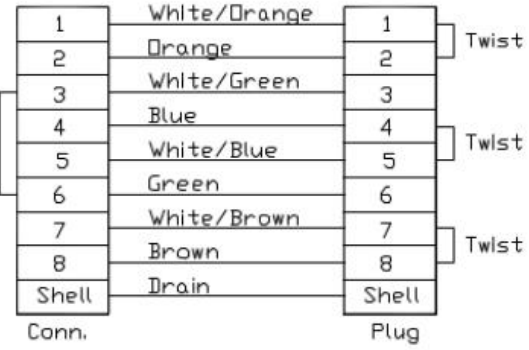
REV	ECN#	DESCRIPTION OF REVISION	DRAW BY DATE	CHECK BY DATE	APPROVE BY DATE
A2	ECN-140805	Modify Item 10, Shrink Tube L=15mm to 20mm	Joyce 08/07/14	Lucas 08/07/14	Ray 08/07/14



12	RJ45 Plug	Housing: Thermoplastic, Color: Green Contacts: Copper Alloy, Finish: Au Plated Shell: Cold Roll Steel, Finish: Ni Plated	1
11	Cable	CAT5E 24AWG(4P+4N)+B Color: Gray, OD=5.0mm	1
10	Shrink Tube	L=20mm Color: Black	1
9	Glue	Epoxy Color: Black	1
8	Pin Header	Housing: Thermoplastic, Color: Black Contacts: Copper Alloy, Finish: Au Plated	1
7	PCB	FR-4 Color: _____	2
6	Gasket	Silicone Color: Black	1
5	Hex Nut	Thermoplastic Color: Black	1
4	EMI Shielded Plate	Copper Alloy Finish: Ni Plated	2
3	Holder	Thermoplastic Color: Black	1
2	RJ45 Receptacle	Housing: Thermoplastic, Color: Gray Contacts: Copper Alloy, Finish: Au Plated	1
1	Housing	Thermoplastic Color: Black	1
Item	Part Name	Material / Finish	Qty



Recommended Panel Cut-Out



Wiring Diagram

Mating Parts:  
111-6737  
111-6738

RS Stock No  
111-6736

TITLE									
RJ45 Plastic C3 Shielded Panel Jack Screw With Cable + RJ Plug									
3D NOT SCALE DRAWINGS									
THIRD ANGLE PROJECTION	SIZE	SCALE	DRAW / DATE	CHECK / DATE	APPROVE / DATE	TOLERANCES	UNIT	SHEET	
	B	1:1	David 06/01/10	Ray 06/01/10	Ray 06/01/10	XX ± 0.5 X.XX ± 0.2	X.XXX ± 0.05 ANGLES ± 1°	mm	1/1