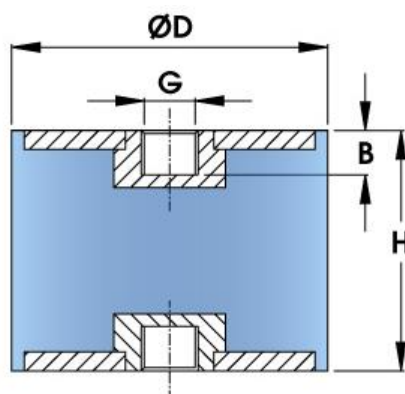


Datasheet

RS PRO Cylindrical Female – Female Anti Vibration Mounts

A simple and cost-effective mount using made from natural rubber and Zinc plated mild steel. For use in compression and shear. A Very large range of available size and studs. Please note that thread depth 'B' is same as the thread size, i.e. M3 stud will have a 3mm deep (B) female metal fixing.



H – Height
D – Diameter
G – Thread Size
B - Thread Depth

RS Code (mm)	Rubber Hardness (ShA)	Diameter (mm)	Height (mm)	G (mm)	Max Compression Load (KG)	Max Shear Load (KG)
1893301	45	16	15	M4	6.9	2.2
1893264	60	16	15	M4	15.3	5.72
1893287	45	20	20	M6	12.65	4.62
1893315	60	25	25	M6	27	10.12
1893318	45	30	30	M8	28.52	10.45
1893312	60	40	30	M8	115.2	40.59
1893316	45	40	35	M10	52.9	18.7
1893244	60	40	35	M10	112.5	40.59
1893267	45	50	30	M10	97.29	29.15
1893219	70	50	45	M10	251	93
1893305	60	50	50	M10	167.9	63.47