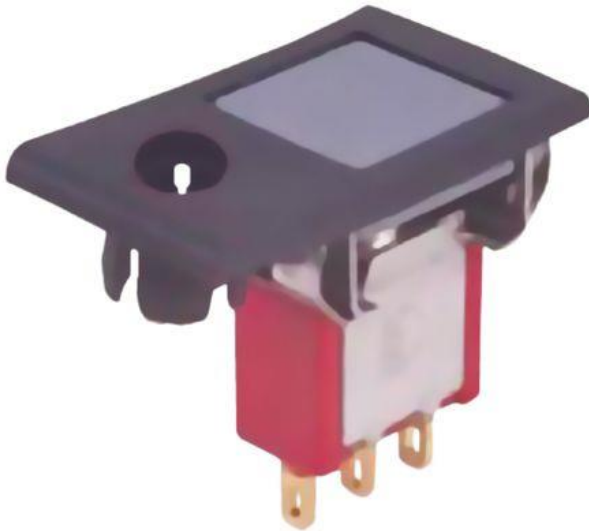


Datasheet

SPDT Panel Mount ON-(ON) Push Button Switch

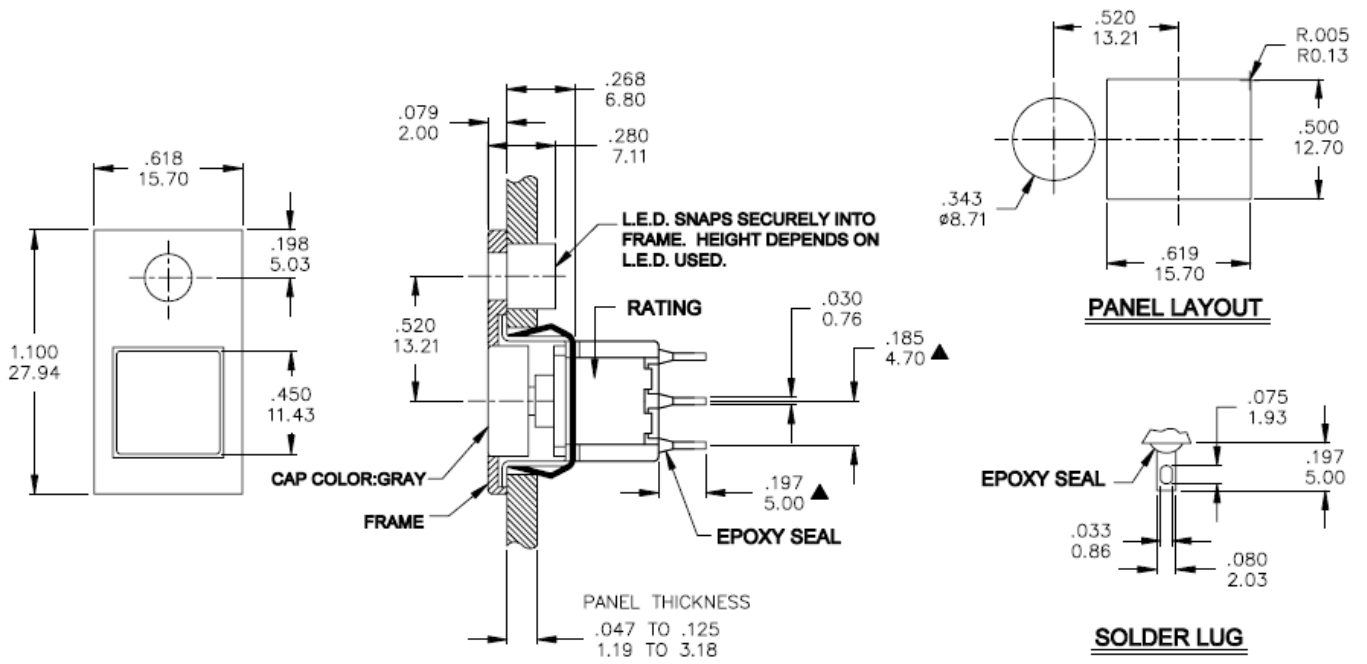
RS Stock number 734-6760



Specifications:

Mechanical Life:	50,000 make-and-break cycles
Contact Resistance:	20m Ω max. initial @ 2-4VDC, 100mA for both silver and gold plated contacts.
Insulation Resistance:	1,000M Ω min.
Dielectric Strength:	1,000 RMS @ sea level
Operating Temperature:	-30°C to 85°C
Case:	Diallyl phthalate (DAP) (UL94V-0)
Plunger:	Glass filled Nylon or Glass fille polyester
Bushing:	Brass, nickel plated
Housing:	Stainless steel
Terminal/Contact:	Silver or gold plated
RoHS:	2002/95/EC

**Dimensions – inch
mm**



Model No.	POS.1	POS.2
7MS7	ON	MOM
Term. Comm.	1-3	1-2
SCHEMATIC		

SWITCH FUNCTION