

ZBSP2

Rigid protection cover, Harmony XB5, plastic, transparent, for RJ45 and USB ports



Main

Range of product	Harmony XB5
Sale per indivisible quantity	1

Complementary

Panel Thickness with accessory	1.5...5 mm
Product or component type	Rigid protection cover
Material	Plastic
Accessory / separate part category	Protection accessories
Product compatibility	Panel mounted RJ45 port XB5P[RETURN]Panel mounted USB port XB5P
IP degree of protection	IP65 conforming to IEC 60529 IP67 conforming to IEC 60529
Colour	Transparent

Packing Units

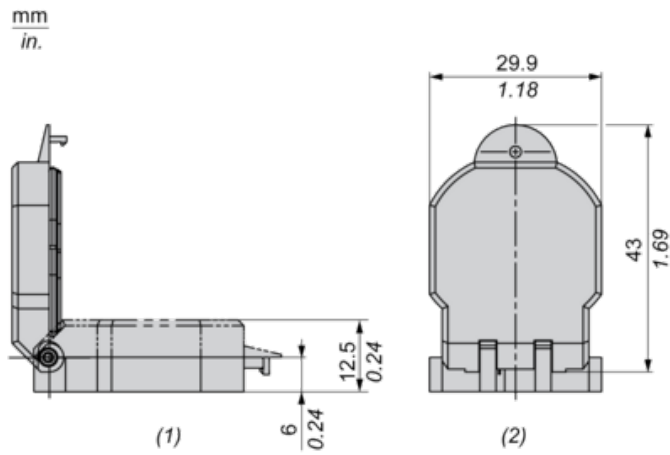
Unit Type of Package 1	PCE
Number of Units in Package 1	1
Package 1 Height	1.5 cm
Package 1 Width	6 cm
Package 1 Length	8 cm
Package 1 Weight	8 g
Unit Type of Package 2	BB1
Number of Units in Package 2	75
Package 2 Height	9.5 cm
Package 2 Width	19 cm
Package 2 Length	28 cm
Package 2 Weight	632 g
Unit Type of Package 3	S02
Number of Units in Package 3	150
Package 3 Height	15 cm
Package 3 Width	30 cm
Package 3 Length	40 cm
Package 3 Weight	1.606 kg

The information provided in this documentation contains general descriptions and/or technical characteristics of the products of the performance of the products contained herein. This documentation is not intended as a substitute for and is not to be used for determining suitability or reliability of these products for specific user applications. It is the duty of any such user or integrator to perform the appropriate and complete risk analysis, evaluation and testing of the products with respect to the relevant specific application or use thereof. Neither Schneider Electric Industries SAS nor any of its affiliates or subsidiaries shall be responsible or liable for misuse of the information contained herein.

Offer Sustainability

REACH Regulation	REACH Declaration
REACH free of SVHC	Yes
EU RoHS Directive	Pro-active compliance (Product out of EU RoHS legal scope)
Mercury free	Yes
China RoHS Regulation	China RoHS Declaration
RoHS exemption information	Yes

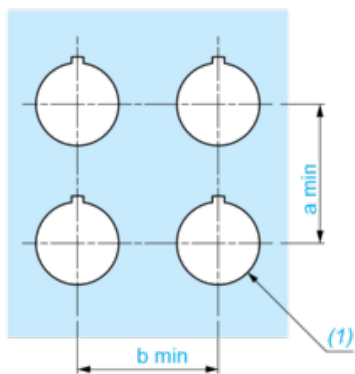
Dimensions



(1) Side View - Open
(2) Back View - Open

Panel Cut-out for Protective Cover (Finished Holes, Ready for Installation)

Connection by Screw Clamp Terminals or Plug-in Connectors



(1) Diameter on finished panel or support

Connections	a in mm	a in in.	b in mm	b in in.
By screw clamp terminals or plug-in connector	40	1.57	40	1.57