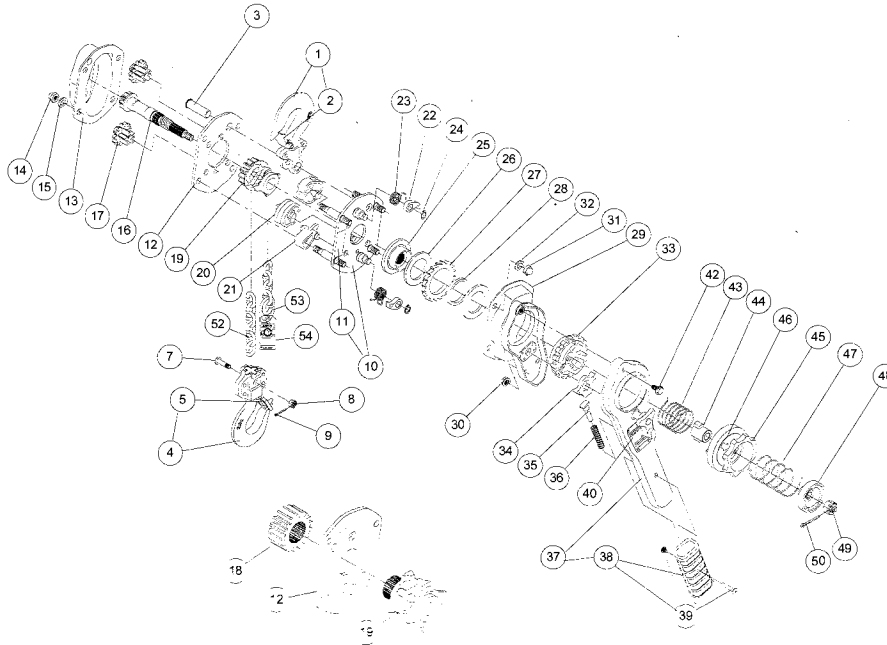


## 9. Repair Part List

### 9.1. Up to 3.2 tonnes

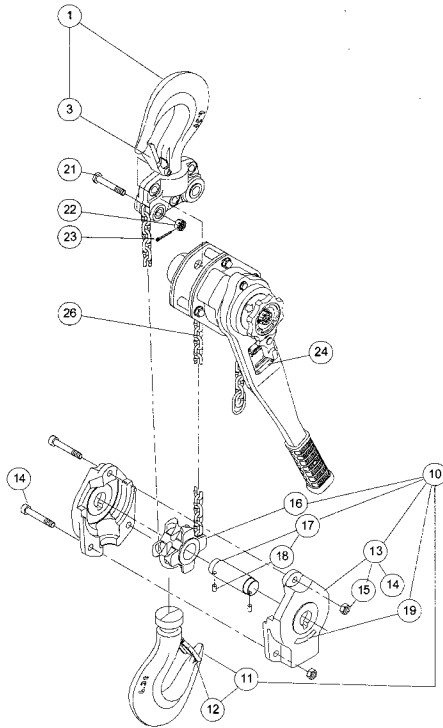


Exclusive for 2.5 & 3.2 tonnes

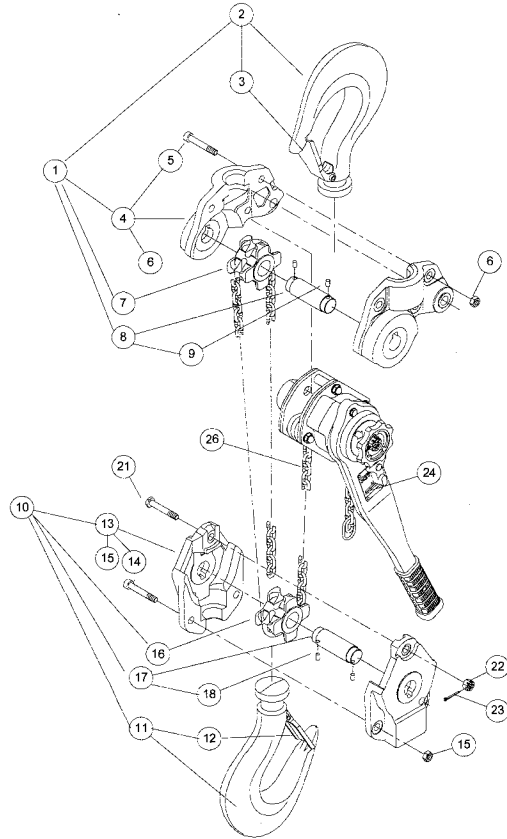
Fig. #	Part #	Part Name	Nos. per Hoist	Capacity (tonnes)				
				0.8	1	1.6	2.5	3.2
1	1001	Top Hook Set	1	L5BA008-1001	L5BA010-1001	L5BA016-1001	L5BA025-1001	L5BA032-1001
2	1071	Latch Assembly	1	L5BA008-1071	L5BA010-1071	L5BA016-1071	L5BA025-1071	L5BA032-1071
3	163	Top Pin	1	L5BA008-9163				
4	1021	Bottom Hook Set	1	L5BA008-1021	L5BA010-1021	L5BA016-1021	L5BA025-1021	L5BA032-1021
5	1071	Latch Assembly	1	L5BA008-1071	L5BA010-1071	L5BA016-1071	L5BA025-1071	L5BA032-1071
7	41	Chain Pin	1	L4BA008-9041		C3BA015-9041		L4BH030-9041
8	49	Slotted Nut	1	C3BA005-9049		C3BA010-9049		C3BA020-9049
9	96	Split Pin	1	J1PW01-016010		J1PW01-020012		J1PW01-020014
10	5101	Frame A Assembly	1	L5BA008-5101		L5BA016-5101		L5BA025-5101
11	806	Nameplate F	1	C3BA005-9806				
12	102	Frame B	1	L5BA008-9102		L5BA016-9102		L5BA025-9102
13	5103	Gear Case Assembly	1	L5BA008-5103		L5BA016-5103		L5BA025-5103
14	181	Domed Cap Nut	4	J1ND005-30080				
15	182	Spring Lock Washer	4	J1WS011-20080				
16	111	Pinion	1	L5BA008-9111		L5BA016-9111		L5BA025-9111
17	112	Gear #2	2	L5BA008-9112		L5BA016-9112		L5BA025-9112
18	114	Load Gear	1	L5BA025-9114				
19	116	Load Sheave	1	L5BA008-9116		L5BA016-9116		L5BA025-9116
20	161	Chain Guide	2	L5BA008-9161		L5BA016-9161		L5BA025-9161
21	162	Stripper	1	L5BA008-9162		L5BA016-9162		L5BA025-9162
22	155	Pawl	2	L4BA008-9155				
23	156	Pawl Spring	2	L5BA008-9156		L5BA016-9156		L5BA025-9156
24	188	Snap Ring	2	L4BA008-9188				
25	153	Friction Disc	1	L5BA008-9153				
26	151	Friction Plate	2	L4BA008-9151				
27	152	Ratchet Disc	1	L4BA008-9152				
28	154	Bushing	1	L4BA008-9154				
29	5214	Brake Cover Assembly	1	L5BA008-5214		L5BA016-5214		L5BA025-5214
30	281	Flange Nut	2	J1NF005-10060				
31	184	Domed Cap Nut	4	J1ND005-30080				
32	185	Spring Lock Washer	4	J1WS011-20080				
33	160	Female Thread	1	L5BA008-9160				
34	218	Select Pawl	1	L4BA008-9218				
35	222	Spring Shaft	1	L2BA008-9222				
36	223	Select-pawl Spring	1	L2BA008-9223				
37	6211	Lever Assembly	1	L5BA008-6211		L5BA016-6211		L5BA032-6211
38	1231	Grip	1	L5BA008-1231		L4BA008-1231		L4BA015-1231
39	232	Binding Screws	1	L5BA008-9232				
40	800	Nameplate (Other)	1	L5BA008-9800	L5BA010-9800	L5BA016-9800	L5BA025-9800	L5BA032-9800
40	800	Nameplate (Europe)	1	L5BG008-9800	L5BG010-9800	L5BG016-9800	L5BG025-9800	L5BG032-9800
42	221	Hex Cap Screw	1	L4BA008-9221				
43	207	Brake Spring	1	L4BA008-9207				
44	203	Cam Guide	1	L5BA008-9203				
45	201	Free Chain Knob	1	L4BA008-9201				
46	810	Nameplate U	1	L4BD015-9810				
47	205	Free Chain Spring	1	L4BA008-9205				
48	208	Spring Holder	1	L5BA008-9208				
49	183	Slotted Nut	1	C3BA020-9049				
50	187	Split Pin	1	J1PW01-020014				
52	841	Nickel-plated Load Chain	1	KAUN056-0000	KAUN071-0000	KAUN088-0000	KAUN100-0000	
53	45	Chain Stopper Link	1	L5BA008-9045		L5BA016-9045		L5BA025-9045
54	931	Warning Tag CE (Other)	1	E7AR003S9886				
54	931	Warning Tag CE-G (Europe)	1	ER1BS9686				

9.2. Exclusive Parts

6.3 tonnes



9 tonnes



Note: These basic bodies are the same as 3.2 tonnes.

Fig. #	Part #	Part Name	Nos. per Hoist	Capacity (tonnes)		
				6.3	9	
1	1001	Top Hook Set	1	L5BA063-1001	L5BA090-1001	
	2	2001	Hook Assembly	1	_____	L5BA090-2001
		1071	Latch Assembly	1	L5BA063-1071	L5BA090-1071
	4	2011	Top Hook Yoke A & B Assembly	1	_____	L5BA090-2011
		81	Socket Bolt	3	_____	J1BE1-1204040
		82	Lever Nut	3	_____	C2BA400-9074
	7	51	Idle Sheave	1	_____	L5BA063-9051
	8	53	Shaft Assembly	1	_____	L4BA060-9053
	9	83	Shaft Stopper Pin	2	_____	L4BA060-9083
10	1021	Bottom Hook Set	1	L5BA063-1021	L5BA090-1021	
	11	2001	Hook Assembly	1	L5BA063-2001	L5BA090-2001
		1071	Latch Assembly	1	L5BA063-1071	L5BA090-1071
	13	1031	Bottom Hook Yoke Assembly	2	L5BA063-9031	L5BA090-9031
		81	Socket Bolt	2	_____	J1BE1-1204040
			3	J1BE1-1003232	_____	_____
	15	82	Lever Nut	2	_____	C2BA400-9074
				3	C2BA200-9074	_____
	16	51	Idle Sheave	1	_____	L5BA063-9051
	17	53	Shaft Assembly	1	_____	L4BA060-9053
18	83	Shaft Stopper Pin	2	_____	L4BA060-9083	
19	805	Nameplate C	1	L4BH060-9805	_____	
21	41	Chain Pin	1	_____	L4BH060-9041	
22	49	Slotted Nut	1	_____	C2BA020-9049	
23	96	Split Pin	1	_____	J1PW01-020014	
24	800	Nameplate (Other)	1	L5BA063-9800	L5BA090-9800	
	800	Nameplate (Europe)	1	L5BG063-9800	L5BG090-9800	
26	841	Nickel-plated Load Chain	1	_____	KAUN100-0000	

### 9.3. Optional Parts

Lever assembly for load signal type

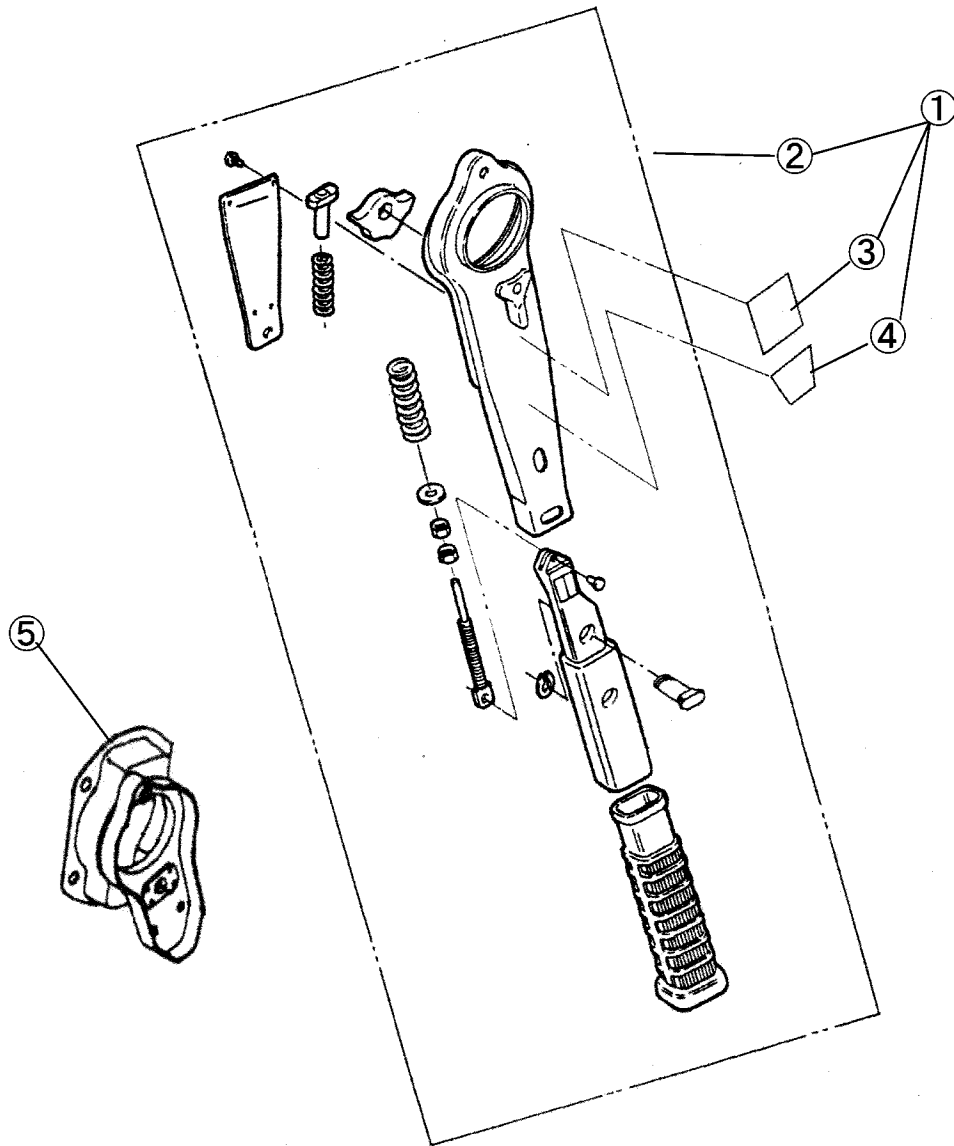


Fig.#	Part#	Part Name	Parts per Hoist	Capacity (tonnes)						
				0.8	1	1.6	2.5	3.2	6.3	9
1	5211	Lever Set	1	Y3SS008-5211	Y3SS010-5211	Y3SS016-5211	Y3SS025-5211	Y3SS032-5211	Y3SS063-5211	Y3SS090-5211
2	6211	Lever Assembly	1	Y3SE008-6211	Y3SE010-6211	Y3SE016-6211	Y3SE025-6211	Y3SE032-6211	Y3SE063-6211	Y3SE090-6211
3	800	Name Plate With Rivets	1 *1	Y3SE008-9800	Y3SE010-9800	Y3SE016-9800	Y3SE025-9800	L5BA032-9800	L5BA063-9800	L5BA090-9800
4	801	Name Plate B	1	Y3SS008-9801						
5	5214	Brake Cover Assembly	1 *2	Y3SE008-5214	—	—	—	—	—	—

\*1. Four rivets are also supplied to fasten the nameplate.

\*2. Since Brake Cover Assembly is exclusive for LOAD SIGNAL 0.8 tonne and 1 tonne, their standard Brake Cover Assembly needs to be exchanged for LOAD SIGNAL installation.