



## Datasheet

### RS PRO 3m 6.35mm Stereo Jack Cable, Black with Nickel Connectors

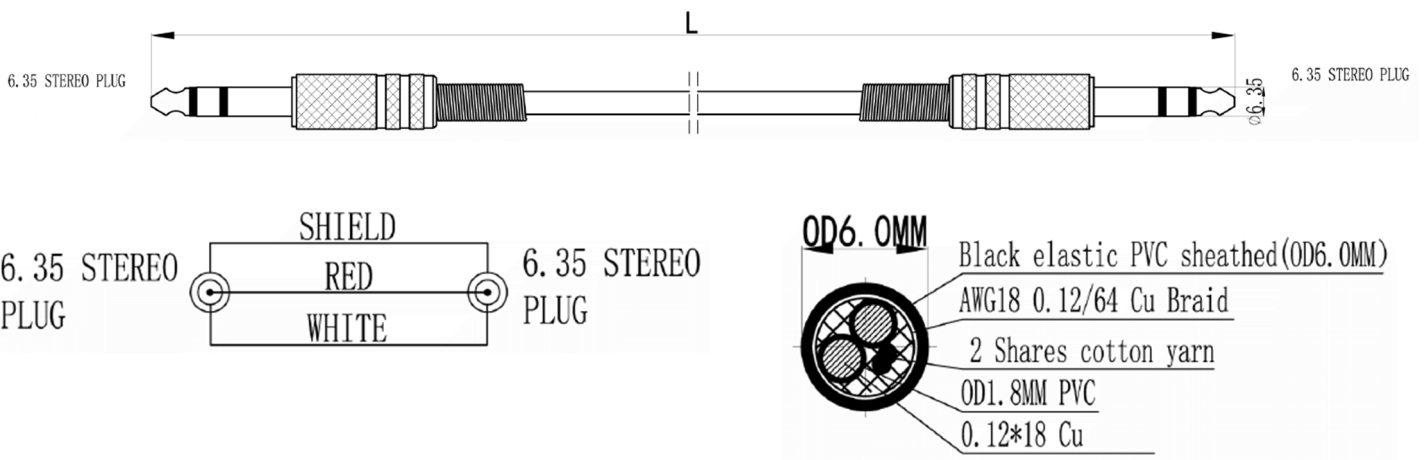
Stock number: 192-4466

EN

The RS PRO 3 metre, 6.35mm stereo jack cable has a black PVC jack and nickel metal boots.

The connectors are nickel and have a spring strain relief to help avoid the cable splitting around the edge of the boot.

The 3.5mm jack plug is used on a variety of audio devices.



RoHS / REACH / CE