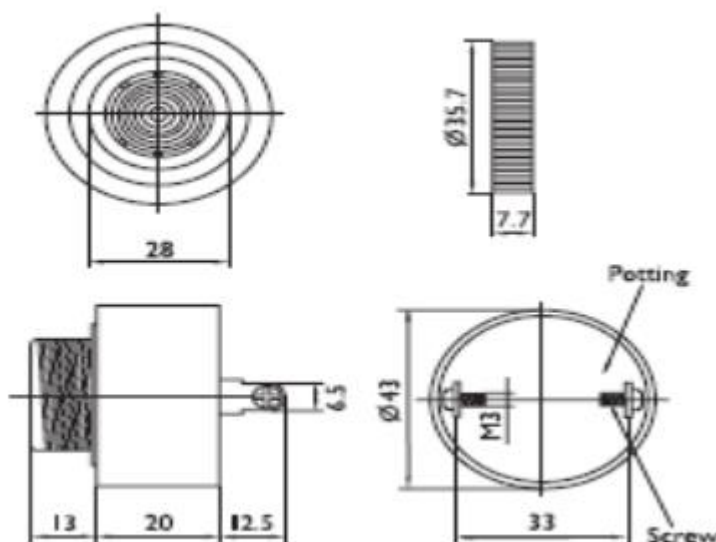


Datasheet

6 → 28 V dc 88dB Panel Mount Fast Pulse Internal Piezo Buzzer, 2400 → 3400 Hz

RS Stock number [724-3181](#)

Dimensions: (Unit: mm; Tolerance: ±0.5m)



Features:

- Colour: Black
- Housing material: ABS
- Panel mounted
- Tone: Fast pulse
- Internal drive circuit

All data at 25°C unless otherwise specified.

SPECIFICATIONS	Piezo Indicator
Operating Voltage	6-28VDC
Rated voltage	12VDC
Rated Current at rated voltage max	6mA
Sound Output at 30cm, at rated voltage	≥88dB
Resonant Frequency	2900±500Hz
Tone	Fast Pulse
Operating Temperature	-20 ~ +60°C
Storage Temperature	-30 ~ +70°C
Weight	43g