



Datasheet

RS PRO Hermetically Sealed Enclosures

Stock number: 1862268

EN



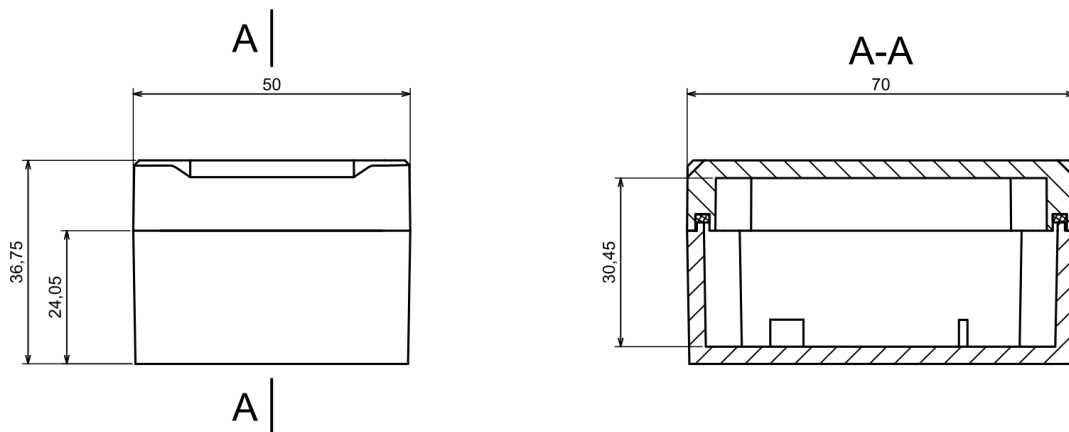
Product Details

Hermetic enclosure ideal for applications requiring protection against water ingress. The enclosure is manufactured polyurethane gasket that provides IP67 rating. Threaded brass inserts ensures reliable assembly of the enclosure.

Features and Benefits

- Made of ABS
- Available in light gray color
- Protection against liquids and solid objects: IP67 rating
- Protection against mechanical impacts: IK09 rating
- Supplied with silicon gasket and four screws
- Threaded brass inserts for reliable assembly.

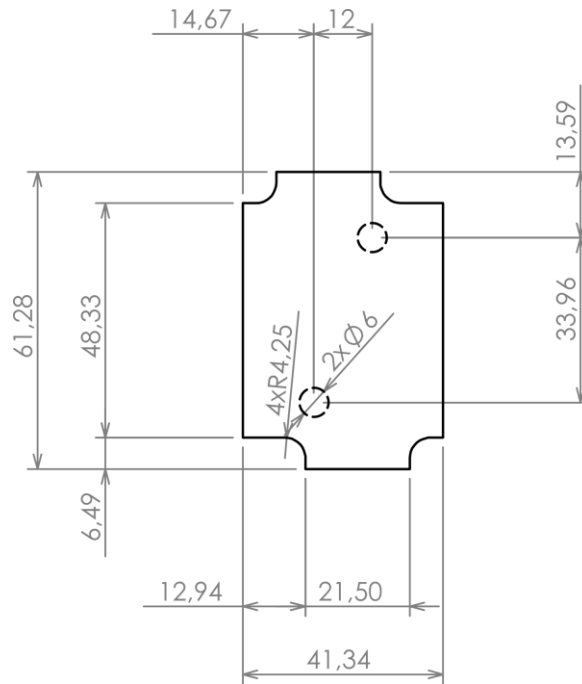
rspro.com



| | |
|------------------------|--|
| Category | Hermetically sealed Enclosures |
| Type | Full |
| Material | ABS |
| Variant | Hermetic (with polyurethane gasket) (S) |
| Height | 36.8 mm |
| Width | 50.0 mm |
| Length | 70.0 mm |
| Color | Lightgray (J) |
| Protection level | IP67 |
| Shock protection level | IK09 |
| Standard Met | RoHS Compliant |
| Accessories | Screw M3/20: 4 pcs |
| Certificate number | CE/032/18 |



Max PCB size



Dashed line shows outline of the mounting boss under PCB board
Recommended mounting holes diameter $\varnothing 3,5\text{mm}$