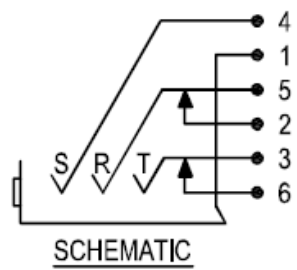
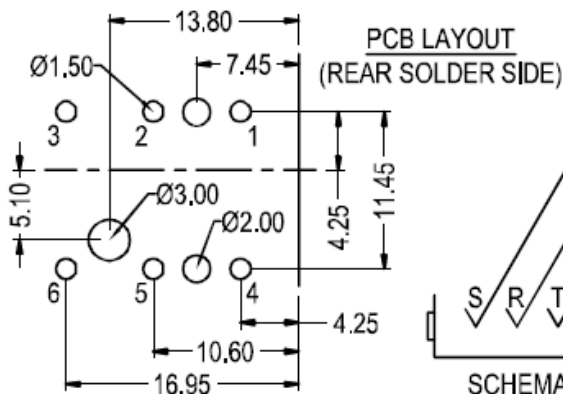
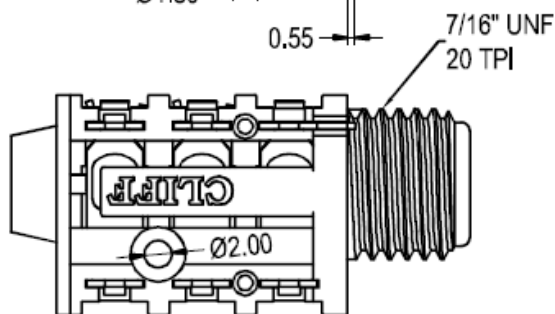
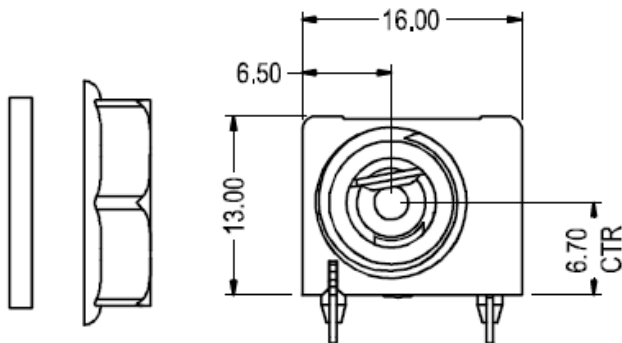
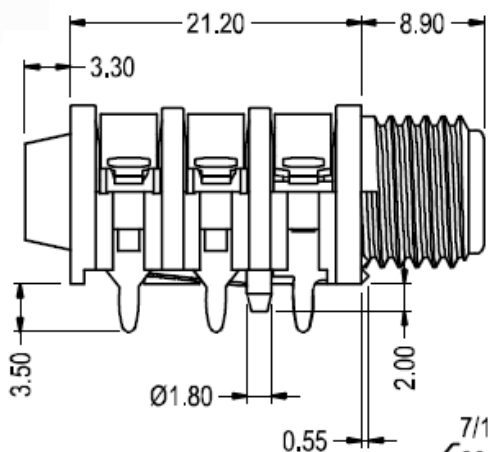


Datasheet

RS Pro FCR, PCB Mount Right Angle Stereo, Female

RS Stock No: 111-5769



PANEL CUTOUT Ø11.20