



ENGLISH

Datasheet

RS Article:1854786

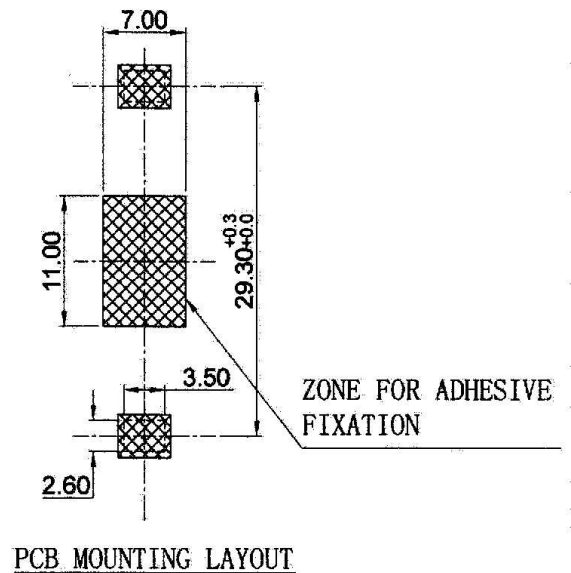
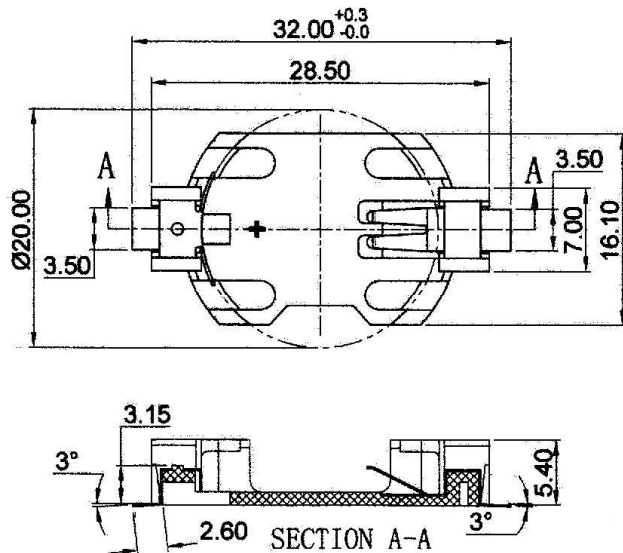
RS Pro Battery Holder



1. Preface:

The purpose of this product specification is to Dimension and drawing

CR2032



NOTES:

1. MATERIAL:
HOUSING: PBT UL94V0 BLACK COLOR
CONTACT: STAINLESS STEEL #301, 0.15MM THK
TIN PLATED OVER NICKEL
2. CURRENT RATING : 3A (AC/DC)
3. VOLTAGE RATING : 500V (AC/DC)
4. CONTACT RESISTANCE: 100 MILLIOHMS
5. INSULATION RESISTANCE: 100 MEGAOHMS
6. TEMPERATURE RANGE: -55°C TO $+85^\circ\text{C}$
7. HUMIDITY: 40°C AND 90-95% RH FOR 96 HOURS
8. RoHS COMPLIANT

Measure: mm