



### Main

Range of product	Modicon Power Supply
Product or component type	Power supply
Power supply type	Regulated switch mode
Variant option	Modular
Enclosure material	Plastic
Nominal input voltage	100...240 V AC single phase 100...240 V AC phase to phase
Rated power in W	50 W
Output voltage	12 V DC
Power supply output current	4.17 A

### Complementary

Input voltage limits	90...264 V AC
Nominal network frequency	50...60 Hz
Network system compatibility	TN TT IT
Maximum leakage current	0.25 mA 240 V AC
Input protection type	Integrated fuse (not interchangeable) 3.15 A External protection (recommended) 20 A Curve B External protection (recommended) 20 A Curve C External protection (recommended) 10 A Curve B External protection (recommended) 6 A Curve C
Inrush current	30 A at 115 V 60 A at 230 V
Power factor	0.50 at 115 V AC 0.39 at 230 V AC
Efficiency	88 % at 115 V AC 88 % at 230 V AC
Output voltage adjustment	12...15 V
Power dissipation in W	5.5 W
Current consumption	< 1.5 A 115 V AC < 1 A 230 V AC
Turn-on time	< 2 s
Holding time	> 20 ms 115 V AC > 60 ms 230 V AC
Startup with capacitive loads	3000 µF
Residual ripple	< 100 mV
Meantime between failure [MTBF]	1500000 H at 25 °C, full load 1000000 h at 55 °C, 80 % load
Output protection type	Against overload and short-circuits, protection technology: automatic reset Against over temperature, protection technology: manual reset Against overvoltage, protection technology: manual reset
Connections - terminals	Screw connection: 0.5...2.5 mm <sup>2</sup> , (AWG 20...AWG 14) without wire end ferrule for output Screw connection: 0.5...1.5 mm <sup>2</sup> , (AWG 20...AWG 16) with wire end ferrule for output Screw connection: 0.5...1.5 mm <sup>2</sup> , (AWG 20...AWG 16) for input
Line and load regulation	< 0.5 % at in line < 1 % at 0 to 100 % load

The information provided in this documentation contains general descriptions and/or technical characteristics of the performance of the products contained herein. This documentation is not intended as a substitute for and is not to be used for determining suitability or reliability of these products for specific user applications. It is the duty of any such user or integrator to perform the appropriate and complete risk analysis, evaluation and testing of the products with respect to the relevant specific application or use thereof. Neither Schneider Electric Industries SAS nor any of its affiliates or subsidiaries shall be responsible or liable for misuse of the information contained herein.

Status LED	1 LED (green) output voltage
Depth	55.6 mm
Height	91 mm
Width	53 mm
Net weight	0.221 kg
Output coupling	Serial Parallel
Mounting support	Top hat type TH35-15 rail conforming to IEC 60715 Top hat type TH35-7.5 rail conforming to IEC 60715 Double-profile DIN rail Panel mounting
Supply	SELV conforming to IEC 60950-1 SELV conforming to IEC 60204-1 SELV conforming to IEC 60364-4-41
Dielectric strength	3000 V AC input/output
Service life	10 year(s)
Overvoltage category	II

## Environment

Standards	IEC 62368-1 EN/IEC 61010-1 EN 61010-2-201 EN/IEC 61204-3 IEC 61000-6-1 IEC 61000-6-2 IEC 61000-6-3 IEC 61000-6-4 IEC 61000-3-2 EN 61000-3-3 UL 62368-1 UL 61010-1 UL 61010-2-201 CSA C22.2 No 62368-1 CSA C22.2 No 61010-1 CSA C22.2 No 61010-2-201 EN/IEC 62368-1
Product certifications	CE[RETURN]CUL listed[RETURN]CUL recognized[RETURN]RCM[RETURN]CB Scheme[RETURN]EAC[RETURN]KC[RETURN]NEC: class 2
Operating altitude	< 2000 m overvoltage category III 2000 m...5000 m overvoltage category II
Shock resistance	150 m/s <sup>2</sup> for 11 ms
IP degree of protection	IP20
Ambient air temperature for operation	-25...55 °C without current derating mounting position A < 2000 m 55...70 °C with current derating of 2.67 % per °C mounting position A < 2000 m
Electrical shock protection class	Class II without PE connection
Pollution degree	2
Vibration resistance	3 mm (f= 2...9 Hz) conforming to IEC 60721-3-3 10 m/s <sup>2</sup> (f= 9...200 Hz) conforming to IEC 60721-3-3

Electromagnetic immunity	<p>Immunity to electrostatic discharge - test level: 8 kV (contact discharge) conforming to IEC 61000-4-2</p> <p>Immunity to electrostatic discharge - test level: 15 kV (air discharge) conforming to IEC 61000-4-2</p> <p>Electromagnetic field immunity test - test level: 15 V/m (80 MHz...2 GHz) conforming to IEC 61000-4-3</p> <p>Electromagnetic field immunity test - test level: 5 V/m (2...2.7 GHz) conforming to IEC 61000-4-3</p> <p>Electromagnetic field immunity test - test level: 5 V/m (2.7...6 GHz) conforming to IEC 61000-4-3</p> <p>Immunity to fast transients - test level: 4 kV (on input-output) conforming to IEC 61000-4-4</p> <p>Surge immunity test - test level: 4 kV (between power supply and earth) conforming to IEC 61000-4-5</p> <p>Surge immunity test - test level: 3 kV (between phases) conforming to IEC 61000-4-5</p> <p>Immunity to conducted disturbances - test level: 15 V (0.15...80 MHz) conforming to IEC 61000-4-6</p> <p>Immunity to magnetic fields - test level: 30 A/m (50...60 Hz) conforming to IEC 61000-4-8</p> <p>Immunity to voltage dips - test level: 100 % (1 cycle) conforming to IEC 61000-4-11</p> <p>Immunity to voltage dips - test level: 60 % (10 cycles) conforming to IEC 61000-4-11</p> <p>Immunity to voltage dips - test level: 30 % (25 cycles) conforming to IEC 61000-4-11</p> <p>Disturbing field emission conforming to EN 55016-2-3</p> <p>Limits for harmonic current emissions conforming to IEC 61000-3-2</p> <p>Conforming to EN 55016-1-2</p> <p>Conforming to EN 55016-2-1</p>
Electromagnetic emission	<p>Conducted emissions conforming to IEC 61000-6-3</p> <p>Radiated emissions conforming to IEC 61000-6-4</p>

## Packing Units

Unit Type of Package 1	PCE
Number of Units in Package 1	1
Package 1 Height	6.1 cm
Package 1 Width	6.1 cm
Package 1 Length	11 cm
Package 1 Weight	229 g
Unit Type of Package 2	S02
Number of Units in Package 2	24
Package 2 Height	15 cm
Package 2 Width	30 cm
Package 2 Length	40 cm
Package 2 Weight	6 kg
Unit Type of Package 3	P06
Number of Units in Package 3	384
Package 3 Height	75.0 cm
Package 3 Width	60.0 cm
Package 3 Length	80.0 cm
Package 3 Weight	95.2 kg

## Offer Sustainability

Sustainable offer status	Green Premium product
REACH Regulation	<a href="#">REACH Declaration</a>
EU RoHS Directive	Pro-active compliance (Product out of EU RoHS legal scope)
Mercury free	Yes
China RoHS Regulation	<a href="#">China RoHS Declaration</a>
RoHS exemption information	<a href="#">Yes</a>
Environmental Disclosure	<a href="#">Product Environmental Profile</a>

The product must be disposed on European Union markets following specific waste collection and never end up in rubbish bins

---

---

### Electrical Safety

---

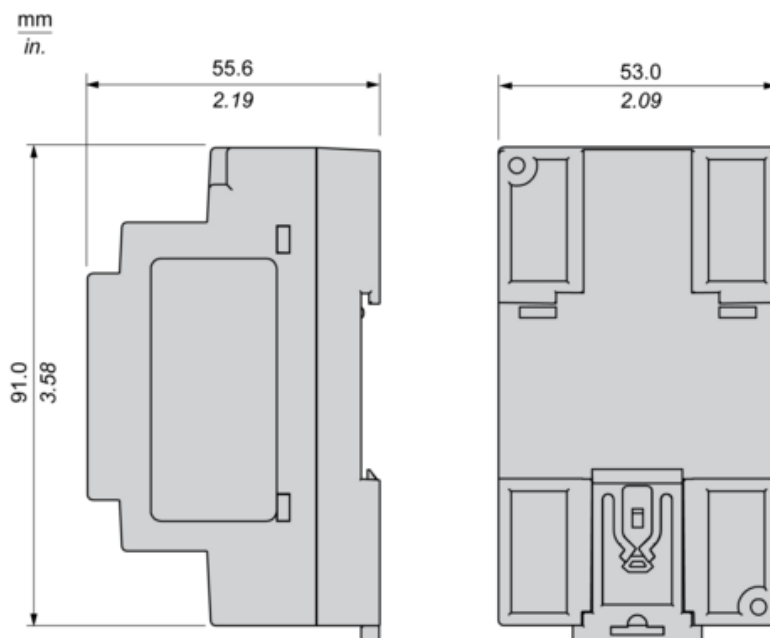
- If the unit is used in a manner not specified by the manufacturer, the protection provided by the equipment may be impaired.
- For means of disconnection a switch or circuit breaker, located near the product, must be included in the installation. A marking as disconnecting device for the product is required.
- The device has an internal fuse. The unit is tested and approved with branch circuit protective device up to 20A. This circuit breaker can be used as disconnecting device.
- The power supply is only suitable for audio, video, information, communication, industrial and control equipment.

---

### Dimensions

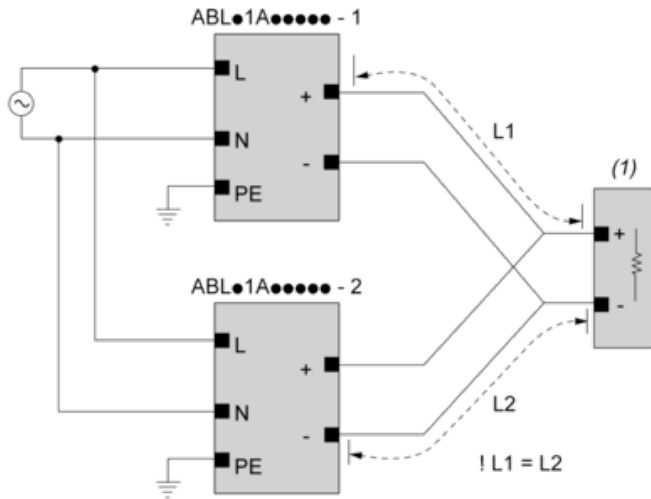
---

#### Side and Rear View



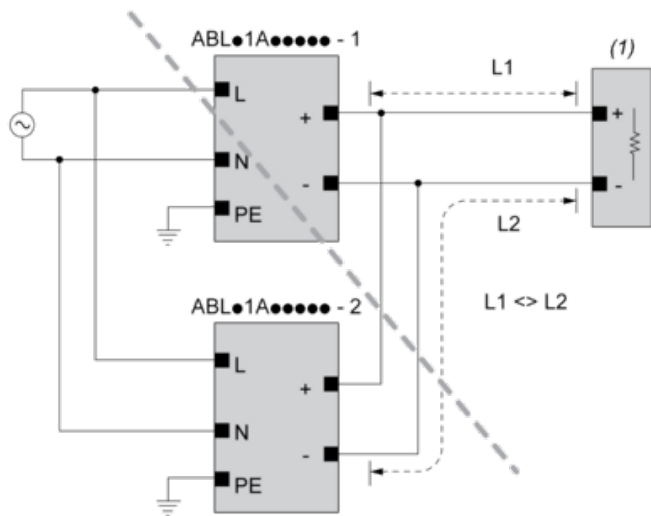
Connections and Schema

Correct Parallel Connection



(1) : Load

Incorrect Parallel Connection



(1) : Load

ABLx1Axxxxx-1 = ABLx1Axxxxx-2

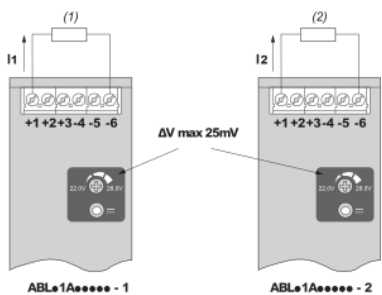
max 2 x ABLx1Axxxxx

L1 = L2

$\Delta V$  max 25 mV

$I_{Load} < 90\% \cdot 2 \cdot I_{nom}$

## Output Voltage Balancing



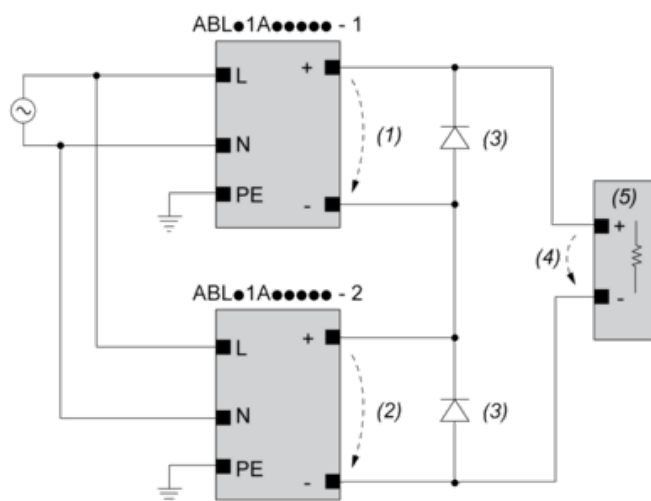
(1) :  $R_{Load1}$

(2) :  $R_{Load2}$

$R_{Load1} = R_{Load2}$

$I_1 = I_2 = \sim I_{nom}$

## Series Connection



(1) :  $V_{out1}$

(2) :  $V_{out2}$

(3) : 2 x Diode,  $V_{RRM} > 2 \times V_{out1/2}$ ,  $I_F > 2 \times I_{nom1/2}$

(4) :  $V_{Load} = 2 \times V_{out}$

(5) : Load

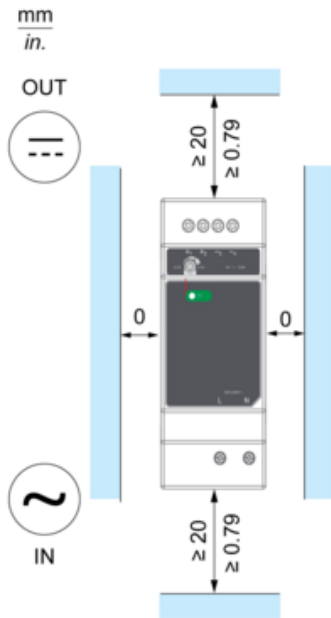
## Connections and Schema

		(1)		
		<40°C	<50°C	<70°C
ABLM1A24004		60°C	75°C	75°C
ABLM1A12010		60°C	75°C	90°C
ABLM1A24006		60°C	75°C	90°C
ABLM1A05036	Input	60°C	75°C	90°C
	Output	75°C	90°C	90°C
ABLM1A12021		60°C	75°C	90°C
ABLM1A24012		60°C	75°C	90°C
ABLM1A12042		60°C	75°C	90°C
ABLM1A24025		60°C	75°C	90°C

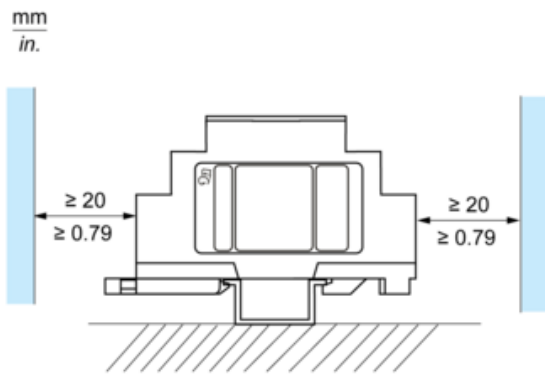
(1) : Ambient

Mounting

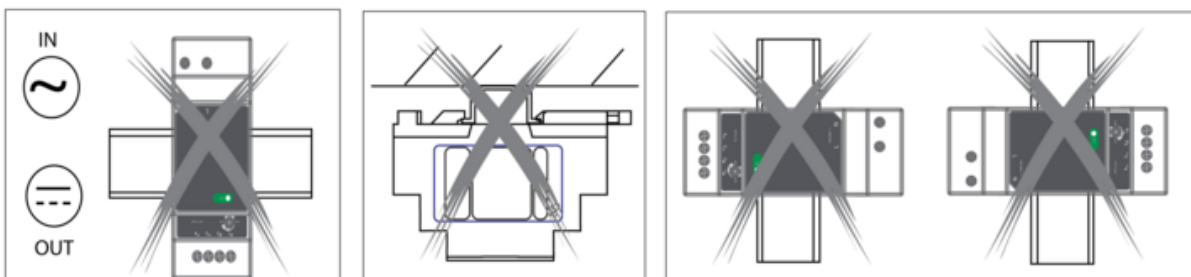
Mounting Position A



Mounting Position B

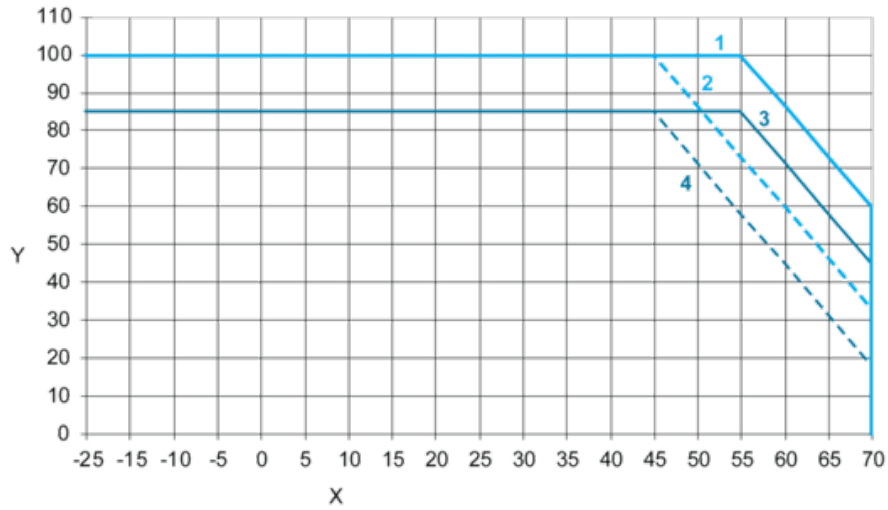


Incorrect Mounting





Performance Curve



X : Ambient Temperature (°C)

Y : Percentage of Max Load (%)

1 : Altitude @2000M with Mounting A

2 : Altitude @5000M with Mounting A

3 : Altitude @2000M with Mounting B

4 : Altitude @5000M with Mounting B