

flamingo lavatory faucet FL20



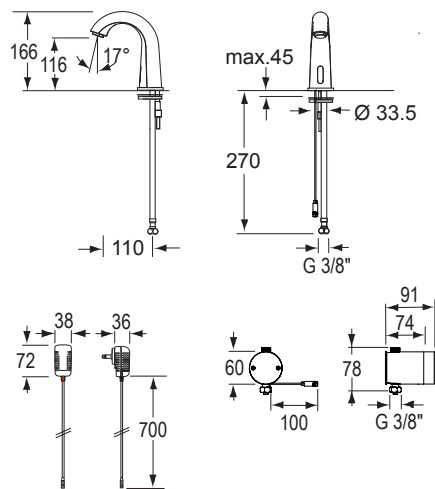
flamingo lavatory faucet FL20, with IR-sensor, without temperature mixing (for cold or premixed water), chrome

Touch-free, electronically controlled lavatory faucet:

- modular single-piece construction sturdy brass housing (polished)
- dual infrared sensors with automatic setting feature
- microprocessor-electronic reliable magnetic valve and economy aerator water supply
- connection with flexible high-pressure hoses and filters (built in)
- temporary-off (cleaning) can be activated via Touch field
- continuous water flow time (filling of basin) can be activated / adjusted via Touch
- water follow-up time and sensor sensitivity adjustable via Touch
- 24-hour hygienic rinse can be activated via Touch
- installation like conventional single-lever faucet

Battery: 6V Lithium 2 CR5 - commercial; life time up to 4 years
 Mains operation: plug-in transformer 100-250VAC / 6VDC; 50-60Hz
 Prepared for mains: alternative power supplies (see accessories)

WITHOUT
TEMPERATURE-MIXING

Operating pressure: 0,3 - 10 bar
 Flow rate: approx. 6,5 l/min. (3 bar)
 Max. water temperature: 80°C
 Aerator: economy aerator, cascade (self-cleaning)
 Sensor-sensitivity: automatic self-adapting sensor technology
 Follow-up time: 1 sec. preset (adjustable with Touch 0-10 sec.)
 Continuous water flow and hygienic rinse time: 2 min. preset (adjustable with Touch 0,5 - 20 min.)
 Temporary-off: 2 min. (fixed)
 Flexible hose: 35 cm
 Angle valve connection: G 3/8"
 Filter: 0,4 mm mesh size
 Engineering standards: DIN EN 200; C€

Power supply	Drain assembly	Color	Order number
Battery		chrome	100.902.11CO
Mains operation	without	chrome	100.915.11CO
VARIOconnect		chrome	100.916.11CO