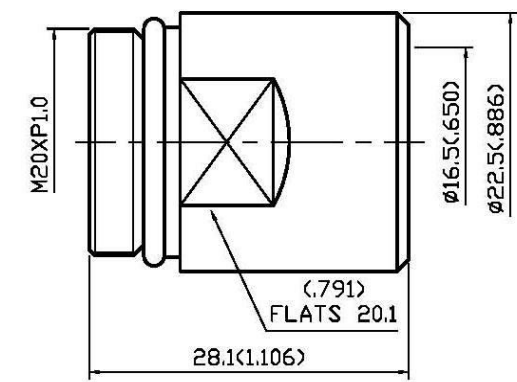
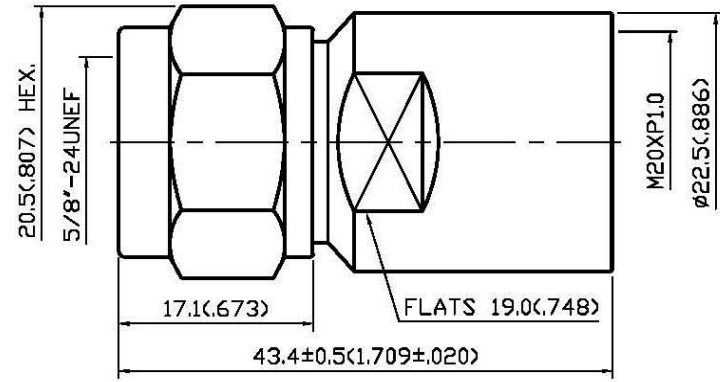


NO	DESCRIPTION	DATE
①	DEL. PROOF VOLTAGE WORKING VOLTAGE → VOLTAGE RATING	08.02.14'



1.0 ELECTRICAL

- 1.1 FREQUENCY RANGE: DC-8 GHz
- 1.2 NOMINAL IMPEDANCE: 50 OHM
- 1.3 VOLTAGE RATING: 1000 VOLTS MAX. ①
- 1.4 VSWR: 1.05 MAX. @2 GHz
1.1 MAX. @3 GHz

2.0 MATERIALS

- 2.1 BODIES: BRASS PER JIS-C3604
- 2.2 CENTER CONTACT: BERYLLIUM COPPER PER ASTM B196 UNS C17300
- 2.3 INSULATION: TEFLON PER ASTM D1457 AND ASTM D1710

3.0 FINISHES AND OTHERS

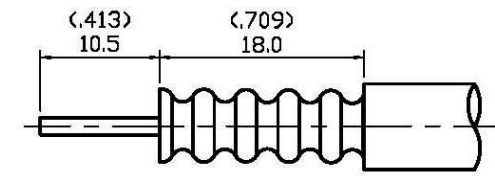
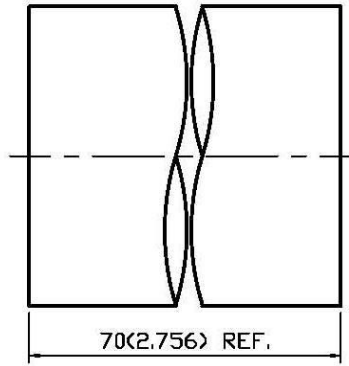
- 3.1 SEE BELOW TABLE FOR DETAILS.

4.0 MECHANICAL

- 4.1 INTERFACE IN ACCORDANCE WITH: MIL-STD-348A
- 4.2 FOR USE WITH ANNULAR 1/2" OR SIMILAR STYLE CABLE
- 4.3 CABLE ATTACHMENT: OUTER: CLAMP, INNER: PLUG-IN

5.0 ENVIRONMENTAL

- 5.1 OPERATING TEMPERATURE RANGE: -40° C TO +85° C



STRIPPING DIMENSION

14	HEAT-SHRINK TUBE	PE	1	BLACK(ADHESIVE SHRINK)
13	O-RING	SILICONE	1	BLACK
12	NUT	BRASS	1	WHITE BRONZE 80 μ" MIN.
11	CHASSIS	BRASS	1	WHITE BRONZE 80 μ" MIN.
10	O-RING	SILICONE	1	BLACK
9	BODY	BRASS	1	WHITE BRONZE 80 μ" MIN.
8	WASHER	BRASS	1	WHITE BRONZE 80 μ" MIN.
7	INSULATION	TEFLON	1	NONE
6	CENTER CONTACT	BERYLLIUM COPPER	1	SILVER 70 μ" MIN.
5	INSULATION	TEFLON	1	NONE
4	WASHER	BRASS	1	NONE
3	CHASSIS	BRASS	1	WHITE BRONZE 80 μ" MIN.
2	GASKET	SILICONE	1	RED
1	SHELL	BRASS	1	WHITE BRONZE 80 μ" MIN.
NO	DESCRIPTION	MATERIAL	Q'TY	FINISH

APPROVED by _____ DATE: _____



DESCRIPTION		LOW PIM STRAIGHT N PLUG CLAMP						
製圖	DRAWN	TOLERANCE	品名	61-02 T.S.WB LCF1/2"CU2Y	DATE	02.15.12'	版次	REV.
	Kristina	.X ±0.2	TITLE	ROHS COMPLIANT (<50Ω)	日期		A-1	
檢圖	CHECK	.XX ±0.1	單位	mm(In)	DWG.NO.	61-0002		
	Arc	.XXX ±0.05	比例	SCALE				
認定	APPROVAL	ANGLE ±5°	比例	2:1				
	Angela							