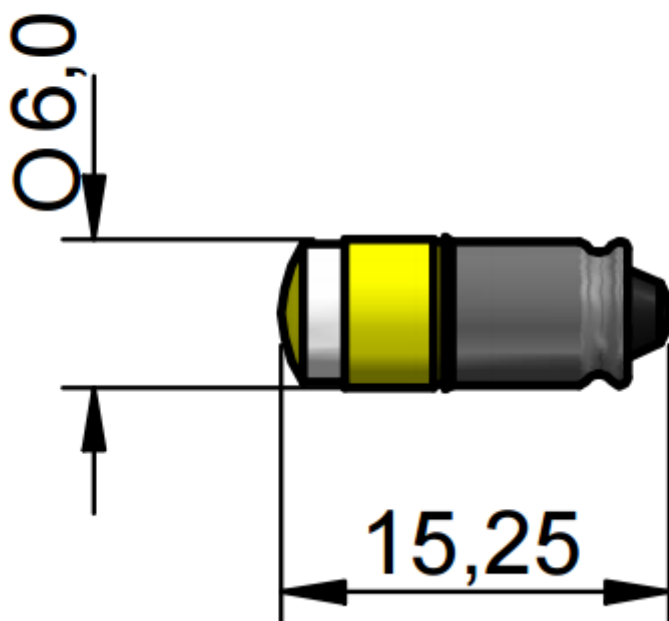


# Datasheet

## LED Indicator Lamp

RS ITEM NO 209-838



LED/Multiled	Multiled	Optimum voltage (V)	24Vdc	Intensity	45mcd
Mounting Size	T1 3/4	Rectifier	-		
Mounting Finish	-	AC current	-		
Protection	-	DC current	20mA		
Mount Holder	Midget Groove	Voltage Tolerance (%)	10%		
Chip Qty	6	Optimum temperature (°C)	-30°C...+65°C		
Indicator colour	Yellow	Storage temperature (°C)	-30°C...+65°C		
Wavelength (nm)	565	Contact Tab	Midget Groove		



Dimension in mm (typical), not to scale.

We reserve the right to make changes without further notice to this product to improve reliability, function or design.