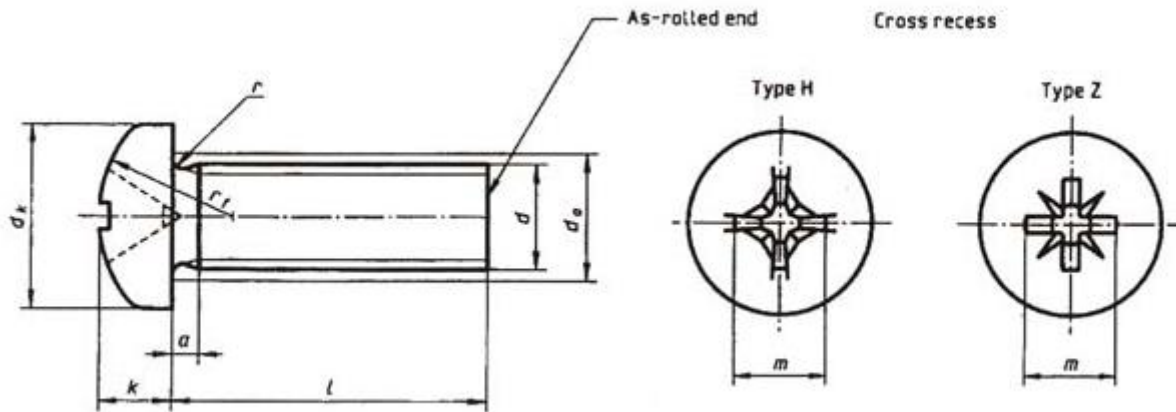


Datasheet

Pan Head Machine Screw

RS Stock number: 528-788

Dimensions(mm):



| Size | M2 | M3 | M4 | M5 | M6 | M8 |
|----------------|-----|-----|-----|-----|-----|-----|
| $m \approx$ | 2.5 | 3.1 | 4.6 | 5.3 | 6.8 | 9 |
| R1 | 4 | 6 | 8 | 10 | 12 | 16 |
| a max. | - | 1 | 1.4 | 1.6 | 2 | 2.5 |
| $v \approx$ | 1.1 | 1.6 | 2 | 2.5 | 3 | 3.7 |
| k | 1.6 | 2.4 | 3.1 | 3.8 | 4.6 | 6 |
| d1 max. | 4 | 6 | 8 | 10 | 12 | 16 |