

# Datasheet

## 19in. Wallmount Cabinet

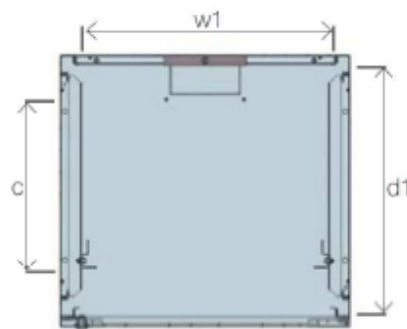
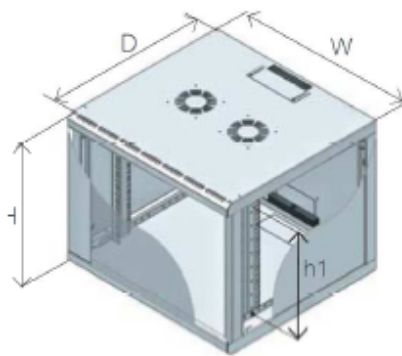
### Technical Features

- Material** 1,2 mm steel
- Color** RAL 7035
- Maximum Static Load** Up to 70 kg.
- Finish** Electrostatic Powder Paint



### Standard Configuration

- ✓ Steel frame
- ✓ Glass door with cylindrical lock
- ✓ Openable side panels from inside for security
- ✓ 1 Pair of heavy duty 19" mounting rails
- ✓ Flatpack option available
- ✓ RoHS compliant, UL and Gost-R Certified



Height U	External Width [W] mm	External Depth [D] mm	External Height [H] mm	Internal Width [W] mm	Internal Depth [D] mm	Internal Height [H] mm	19" Rails Adjustable Depth Range [c]	Weight kg	RS stock no.
6	600	400	366	510	360	266	110-305	21.36	8020327
6	600	560	366	510	520	266	110-465	24.26	8020320
9	600	400	488	510	360	408	110-305	24.62	8020324
9	600	560	488	510	520	408	110-465	27.82	8020333
12	600	450	645	510	360	541	110-305	28.01	8020336
12	600	560	621	510	520	541	110-465	31.65	8020330