



Class	Vario	LK4	GS2	9422	9421	9422	9423
Type	Manual motor control switches	Nonfusible IEC style disconnect switches	Fusible IEC style disconnect switches	NEMA style fused or nonfusible disconnect switches	Circuit breaker operating mechanisms	Circuit breaker operating mechanisms	Door closing mechanisms
UL Rating	UL508	UL98	UL98	UL98	—	—	—
Handle Type	Rotary	Rotary	Rotary	Flange Adjustable rod or cable mechanism	Rotary	Flange Adjustable rod or cable mechanism	Rotary, works in conjunction with 9422 handle mechanisms
Mounting	Door or panel	—	Flange with cable mechanism panel	Panel or bracket mount	Panel	Panel	—
Load Voltage (maximum)	600 Vac	600 Vac	600 Vac	600 Vac	600 Vac	600 Vac	—
Current Ratings	10–115	30–1200	30–800	30–400	Circuit breaker frame sizes 100–1200	Circuit breaker frame sizes 100–1200	—
Horsepower Ratings (maximum)	2–60	7.5–500	7.5–500	7.5–350	—	—	—
Enclosure Type	Metallic: NEMA Type 1, 12, 4, 4X Plastic: IP55, NEMA Type 4X	Handle ratings: NEMA Type 1, 3R, 4, 4X, 12	Handle ratings: NEMA Type 1, 3R, 4, 4X, 12	Handle ratings: NEMA Type 1, 3R, 4, 4X, 12	Handle ratings: NEMA Type 1, 3R, 4, 4X, 12	Handle ratings: NEMA Type 1, 3R, 4, 4X, 12	Handle ratings: NEMA Type 4 and 12 sheet steel or stainless
Accessories	Power poles and auxiliary contacts	Auxiliary contacts and power lugs	Auxiliary contacts and power lugs	Auxiliary contacts	Auxiliary contacts	Auxiliary contacts	Right or left-hand operation
Approvals	UL File E164864 NLRV CSA File LR 81630 Class 3211 05	UL File E191098 WP2X / WP2X7 CSA 703149 Class 4652 04	UL File E191098 WP2X / WP2X7 CSA 703149 Class 4652 04	UL File E52639 WHTY2 CSA LR44199 Class 4652-04	UL File E62922 DIHS2 CSA LR44199 Class 3211 07	UL File E62922 DIHS2 CSA LR44199 Class 3211 07	—
Page	8-3	8-8	8-9	8-15	8-19	8-21	8-25

Example of the parts to order to build a complete GS or LK switch:

Choose a Switch

+

Shaft

+

Handle Assembly

+

Lugs if needed



600 A, LK4SU3N



Shaft 320 mm, GS2AE6



Black Handle, GS2AH150



Lugs Kit, GS1AW503

Example:

LK4SU3N (600 A nonfusible switch, use 15x12 shaft) + GS2AE6 (320 mm Type S shaft) + GS2AH150 (black/ black, lockable)

To add auxiliary contacts:

For front-mounted contacts order LK4AD30N (front-mounted auxiliary contact holder) + GS2AM110.



30-60 A Compact



100-400 A



GS2AH130



GS2AH150



GS2AH170

Table 8.26: LK Nonfusible IEC Style Disconnect Switches

Pole	Rating (A)	Catalog Number	\$ Price	Maximum Horsepower Rating				Short Circuit Current Rating 600 Vac	
				240 V	480 V	600 V	250 Vdc	Fuse	SCCR kA
			218.00				—	J	100
3	60	LK4GU3CN	263.00			50	—	J	100
3	100	LK4JU3N		30	75	100	15	J	200
3	200	LK4MU3N		75	150	200	15	J	200
3	400	LK4OU3N	1910.00	125	250	350	50	J	200
3	600	LK4SU3N	2873.00						
		LK4TU3N		200	500	500	—	L	100
3	1000	LK4UJ3N		200	500	500	—	L	100
3	1200	LK4WU3N		200	500	500	—	L	100

Table 8.27: Handles and Shafts for LK Switches

Rating (A)	Handle				Shaft: 12.8/320 in./mm		Shaft: 15.7/400 in./mm		Shaft Guide	
	Catalog Number	Type	Color	\$ Price	Catalog Number	\$ Price	Catalog Number	\$ Price	Catalog Number	\$ Price
	LK4AH110CN	1, 3R, 12	Black							
30-60	LK4AH120CN	1, 3R, 12	Red/Yellow		LK4AE12CN		—	—	LK4AEAH12CN	15.50
30-60	LK4AH410CN	4, 4X	Black							
30-60	LK4AH420CN	4, 4X	Red/Yellow							
100-400	GS2AH130	1, 3R, 12	Black							
100-400	GS2AH140	1, 3R, 12	Red/Yellow							
100-400	GS2AH430	4, 4X	Black		GS2AE2		GS2AE21			
100-400	GS2AH440	4, 4X	Red/Yellow							
600	GS2AH150	4, 4X	Black							
600	GS2AH160	4, 4X	Red/Yellow							
800-1200	GS2AH170	4, 4X	Black		GS2AE6		GS2AE61			
800-1200	GS2AH180	4, 4X	Red/Yellow							

▲ Required on shafts for LK4DU3CN and LK4GU3CN switches.

Auxiliary Contacts for LK Switches

Switch Amperes	Catalog Number	Description	\$ Price
		Aux Contact 1 N.O. and 1 N.C.	
30-60	MDSAN20	Aux Contact 2 N.O. and 2 N.C.	
100-400	LK4AD10N	Aux Contact 1 N.O. and 1 N.C.	
100-400	LK4AD20N	Aux Contact 2 N.O. and 2 N.C.	
600-1200	LK4AD30N	Aux Contact Holder	
600-1200	GS2AM110	Aux Contact 1 N.O.	
600-1200	GS2AM101	Aux Contact 1 N.C.	

Switch Amperes	Catalog Number	Description	\$ Price
30-60	LK4AP3CN	Shroud Top and Bottom, 3-Pole	
100-200	LK4AP33TN	Shroud Top LK4, 3-Pole, 100/200 A	
100-200	LK4AP33BN	Shroud Bottom LK4, 3-Pole, 100/200 A	
400	LK4AP53TN	Shroud Top LK4, 3-Pole, 400 A	
400	LK4AP53BN	Shroud Bottom LK4, 3-Pole, 400 A	
600			

600-1200 A standard with top shroud.

New!

Table 8.30: GS Fusible IEC Style Disconnect Switches



GS2GU3N

Pole	Rating (A)	Catalog Number	\$ Price	Maximum Horsepower Rating				Short Circuit Current Rating 600 Vac	
				240 V	480 V	600 V	250 Vdc	Fuse	SCCR kA
3	30	GS1DDU3	237.00	7.5	15	20	5	CC	100
3	30	GS1DU3	260.00	7.5	15	20	5	J	100
3	60	GS2GU3N	336.00	15	30	50	10	J	100
3	100	GS2JU3N	536.00	30	60	75	20	J	200
3	200	GS2MU3N	1181.00	60	125	150	40	J	200
3	400	GS2QU3N	2252.00	125	250	350	50	J	200
3	600	GS2SU3	3378.00	200	500	500	—	J	200
3	800	GS2TU3	5061.00	200	500	500	—	J	200

Table 8.31: Handles and Shafts for GS Switches



GS2AH110



GS2AH150



GS2AH130

Rating (A)	Handle				Shaft: 12.6 in. (320 mm)		Shaft: 15.7 in. (400 mm)		Shaft Guide	
	Catalog No.	Type	Color	\$ Price	Catalog No.	\$ Price	Catalog No.	\$ Price	Catalog No.	\$ Price
30-60	GS2AH110	1, 3R, 12	Black	62.00	GS2AE8	18.60	GS2AE81	22.30	LKN4AEA12C	15.50
30-60	GS2AH120	1, 3R, 12	Red/Yellow	62.00						
30-60	GS2AH410	4, 4X	Black	70.00						
30-60	GS2AH420	4, 4X	Red/Yellow	70.00	GS2AE2	20.30	GS2AE21	25.00	—	—
100-400	GS2AH130	1, 3R, 12	Black	70.00						
100-400	GS2AH140	1, 3R, 12	Red/Yellow	70.00						
100-400	GS2AH130	4, 4X	Black	78.00	GS2AE5	32.60	GS2AE51	40.40	—	—
100-400	GS2AH440	4, 4X	Red/Yellow	78.00						
600-800	GS2AH150	4, 4X	Black	263.00						
600-800	GS2AH160	4, 4X	Red/Yellow	263.00						

Table 8.32: Auxiliary Contacts for GS Switches▲

Switch Amperes	Catalog Number	Description	\$ Price
30-800	GS2AM110	Aux Contact 1 N.O.	14.70
30-800	GS2AM101	Aux Contact 1 N.C.	14.70
30	GS1AD10	Aux Contact Holder	46.70

▲ GS1DU3 and GS1DDU3 switches allow up to 4 auxiliary contacts without adding contact holder GS1AD10. For more than 4 contacts, GS1AD10 is required.



Auxiliary Contacts
GS1AD10 + GS2AM110

Table 8.33: Flange Handle Cable Operator Kits▲

Catalog Number	Description	\$ Price
GS2AH36F	Flange Handle and 36 in. Cable Operator Kit	417.00
GS2AH60F	Flange Handle and 60 in. Cable Operator Kit	432.00
GS2AH120F	Flange Handle and 120 in. Cable Operator Kit	476.00

▲ Compatible with 60 through 200 Amp switches.



Flange Handle
Cable Operator Kit

Table 8.34: Shorting Links

For use on	Shorting Links per Kit	Catalog No.	\$ Price
GS2, 60 A	3	GS1AU203	29.60
GS2, 100 A	3	GS1AU303	41.90
GS2, 200 A	3	GS1AU403	62.10
GS2, 400 A	3	GS1AU503	93.00
GS2, 600-800 A	3	GS1AU803	156.00



Shorting Links

Table 8.35: Terminal Shrouds for GS Switches, Line or Load▲

Switch Amperes	Catalog Number	Description	\$ Price
30-100	—	Standard on product	—
200	GS2AP43	GS2, 3-Pole, 200 A	101.00
400	GS2AP53	GS2, 3-Pole, 400 A	101.00
600-800	GS2AP73	GS2, 3-Pole, 600-800 A	140.00

▲ Order one terminal shroud per side. For example, order one terminal shroud for either the line side or load side; order two terminal shrouds for both the line side and load side.

Accessories



Terminal Lugs

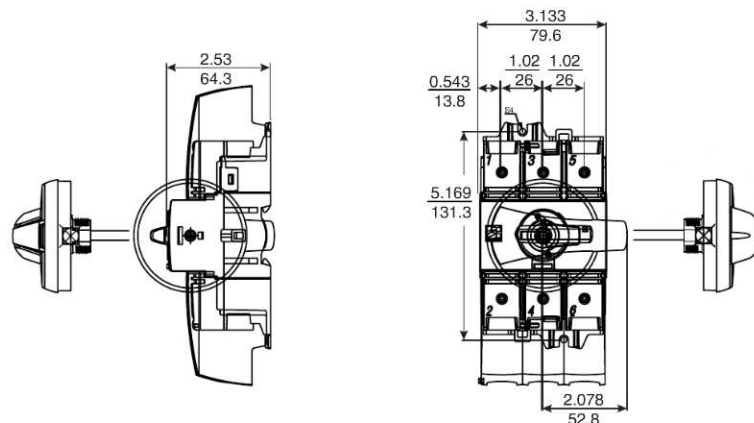
Table 8.36: Terminal Lugs

For Use On	Rating	No. of Wires per Lug	No. of Lugs per Terminal	Lug Size (AWG)	Wire Type	Lugs per Kit	Lug Kit Catalog Number
LK4DU3CN	30	1	1	#12-2/0	Cu	—	Standard
LK4GU3CN	60	1	1	#12-2/0	Cu	—	Standard
LK4JU3N	100	1	1	6-300 kcmil	Cu/Al	6	GS1AW403
LK4MU3N	200	1	1	6-300 kcmil	Cu/Al	6	GS1AW403
LK4QU3N	400	1	1	600MCM	Cu/Al	6	GS1AW603
LK4SU3N	600	2	1	2 x 350MCM	Cu/Al	6	GS1AW606
LK4TU3N	800	2	2	2 x 2-600 kcmil	Cu/Al	6	GS1AW503
LK4UU3N	1000	2	2	2 x 2-600 kcmil	Cu/Al	12	GS1AW903
LK4WU3N	1200	2	2	2 x 2-600 kcmil	Cu/Al	12	GS1AW903
GS1DDU3	30	1	1	#14-#10	Cu	—	Standard
GS1DU3	30	1	1	#14-#10	Cu	—	Standard
GS2GU3N	60	1	1	#10-#6	Cu	—	Standard
GS2JU3N	100	1	1	#12-#1	Cu	—	Standard
GS2MU3N	200	1	1	6-300 kcmil	Cu/Al	6	GS1AW403
GS2QU3N	400	1	1	600MCM	Cu/Al	6	GS1AW603
GS2SU3	600	2	1	2 x 350MCM	Cu/Al	6	GS1AW606
GS2TU3	800	2	1	2 x 2-600 kcmil	Cu/Al	6	GS1AW503

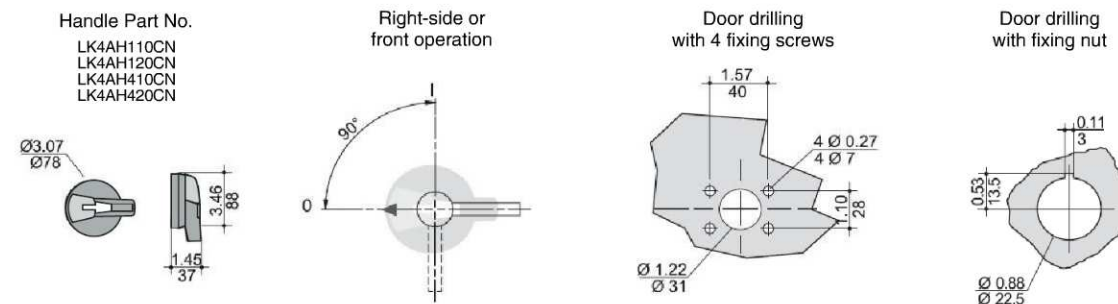
Table 8.37: Power Distribution Lugs

For Use On	Rating	No. of Wires per Lug	Lug Size (AWG)	Wire Type	Lugs per Kit	Lug Kit Catalog Number
GS2JU3N	100	6	#14-#6	Cu	3	GS1AW306
GS2MU3N	200	12	#14-#4	Cu	3	GS1AW406
GS2QU3N	400	6	#12-2/0	Cu	3	GS1AW506

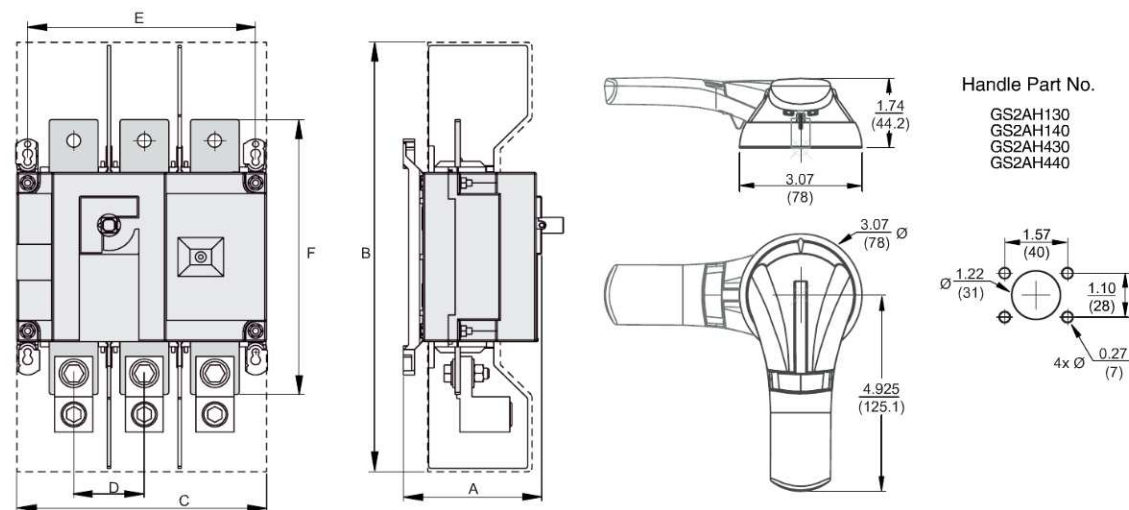
LK4DU3CN and LK4GU3CN, 30–60 A Compact Nonfusible Disconnect Switches



Handle for 30–60 A Compact Nonfusible Disconnect Switches



LK4JU3N / LK4MU3N / LK4QU3N, 100–400 A Nonfusible Disconnect Switches—Dimensions

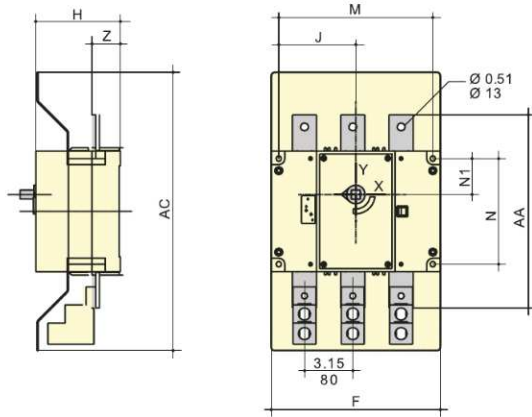


Handle Part No.
GS2AH130
GS2AH140
GS2AH430
GS2AH440

Rating (A)	Dimensions = in. (mm)					
	A	B	C	D	E	F
100–200	3.72 (94.6)	10.1 (256)	7.09 (1.80)	1.97 (50)	6.3 (160)	6.3 (160)
400	4.92 (128)	16 (406)	9.05 (230)	2.56 (65)	8.26 (210)	10.2 (260)

Dimensions: $\frac{\text{in.}}{\text{mm}}$

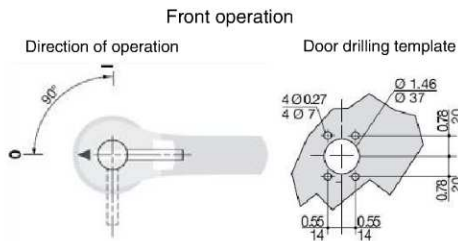
LK4SU3N, 600 A Nonfusible Disconnect Switches—Dimensions



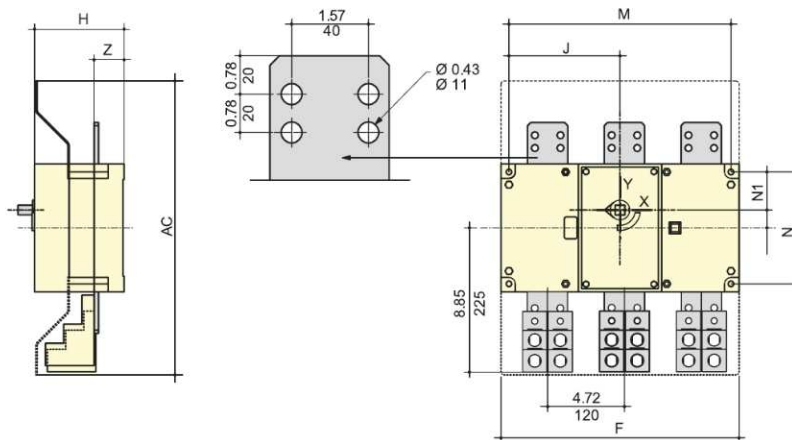
Rating (A)	Dimensions = in. (mm)								
	AC	F	H	J	M	N	N1	AA	Z
600	18.12 (460)	11 (280)	5.5 (140)	5.0 (127.5)	10.03 (255)	6.88 (175)	2.34 (59.5)	12.6 (320)	1.85 (47)

Handle for 600 A and 800 A Fusible Disconnect Switches

Handle Part No.
GS2AH150
GS2AH160



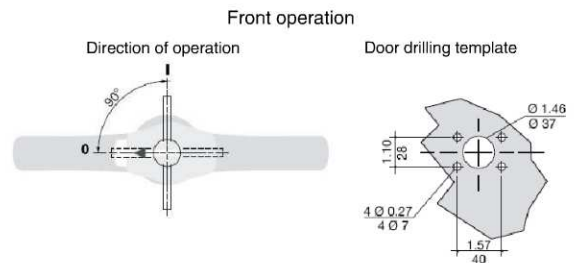
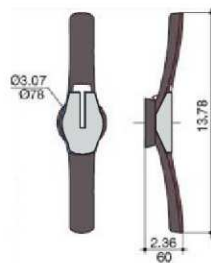
LK4TU3N / LK4UU3N / LK4WU3N, 800–1200 A Nonfusible Disconnect Switches—Dimensions



Rating (A)	Dimensions = in. (mm)							
	AC	F	H	J	M	N	N1	Z
800–1200	18.12 (460)	14.64 (372)	5.5 (140)	6.83 (173.5)	13.66 (347)	6.88 (175)	2.34 (59.5)	1.85 (47)

Handle for 800–1200 A Fusible Disconnect Switches

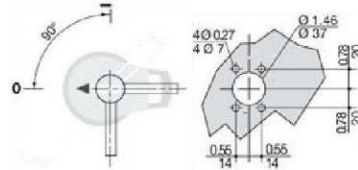
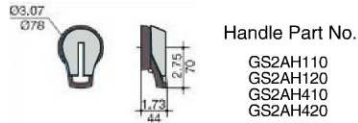
Handle Part No.
GS2AH170
GS2AH180



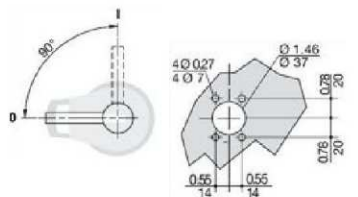
Dimensions: $\frac{\text{in.}}{\text{mm}}$

www.schneider-electric.us

Handle for 30 A and 60 A Fusible Disconnect Switches

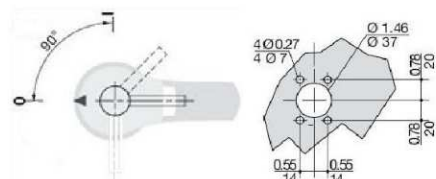
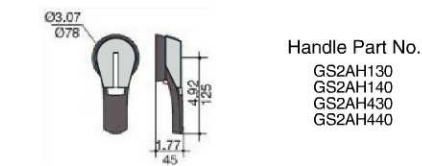


Front operation
Direction of operation Door drilling template

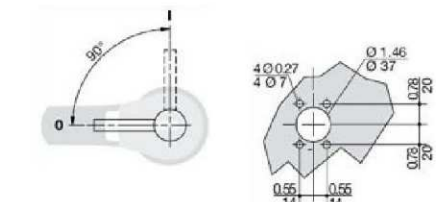


Side operation
Direction of operation Door drilling template

Handle for 100 A, 200 A, and 400 A Fusible Disconnect Switches

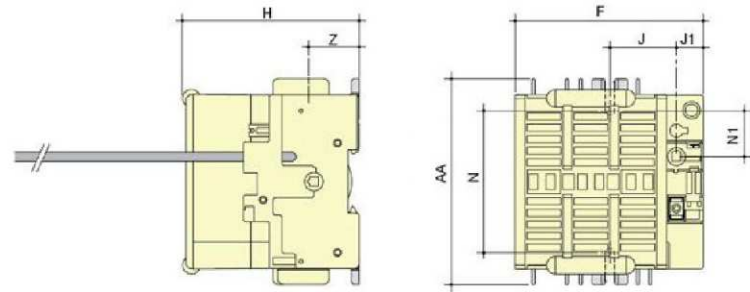


Front operation
Direction of operation Door drilling template



Side operation
Direction of operation Door drilling template

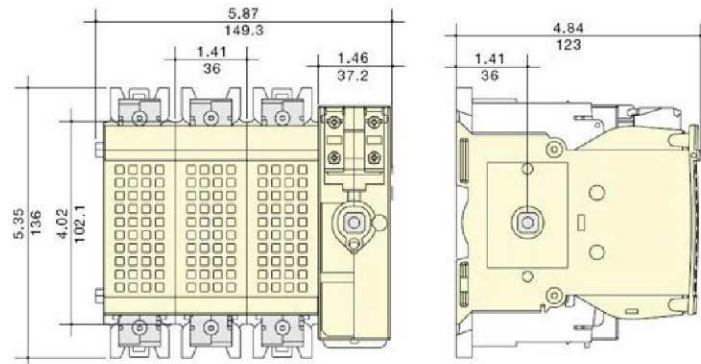
GS1DDU3, 30 A Fusible Disconnect Switches, Class CC Fuses and GS1DU3, 30 A Fusible Disconnect Switches, Class J Fuses—Dimensions



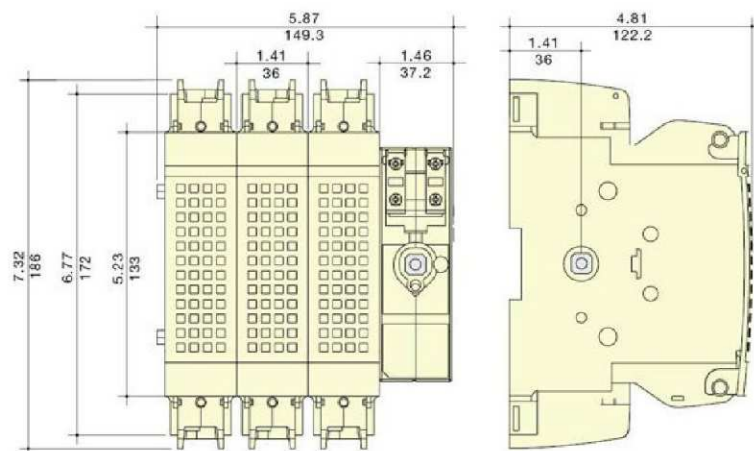
Example:
GS1DU3

Rating (A)	Dimensions = in. (mm)							
	F	H	J	J1	N	N1	AA	Z
30 / CC	3.78 (96)	3.28 (83.5)	1.47 (37.5)	0.59 (15)	3.13 (79.5)	1 (25.5)	4.56 (116)	1.12 (28.5)
30 / J	4.13 (105)	3.89 (99)	1.47 (37.5)	0.59 (15)	3.13 (79.5)	1 (25.5)	4.56 (116)	1.12 (28.5)

GS2GU3N, 60 A Fusible Disconnect Switches, Class J Fuses

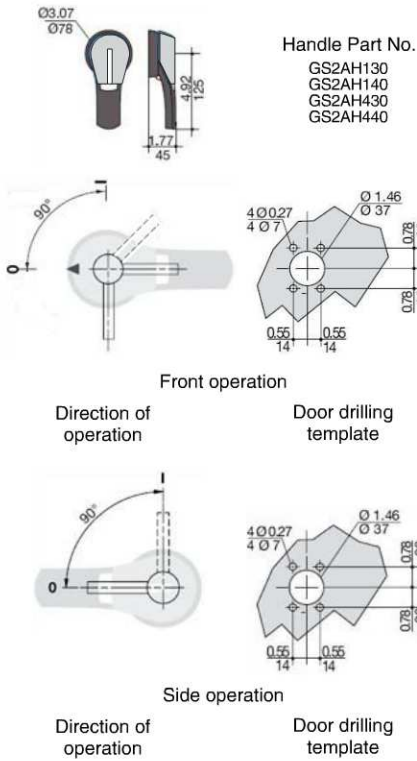


GS2JU3N, 100 A Fusible Disconnect Switches, Class J Fuses

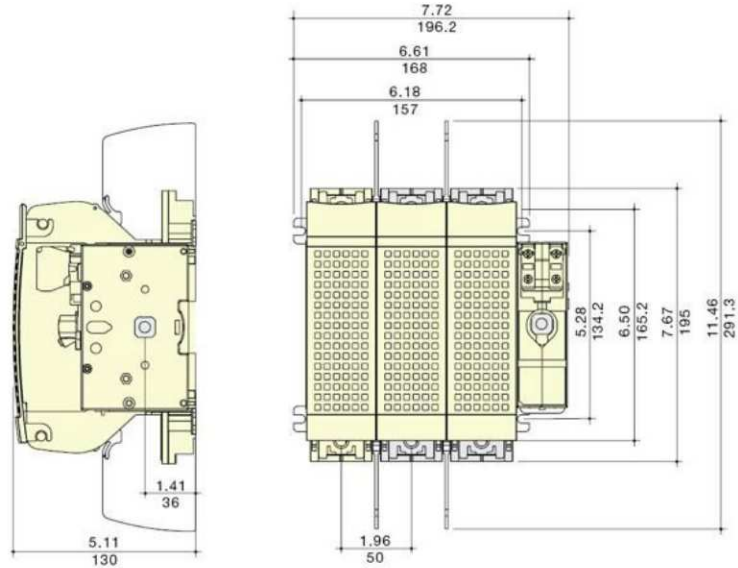


Dimensions: $\frac{\text{in.}}{\text{mm}}$

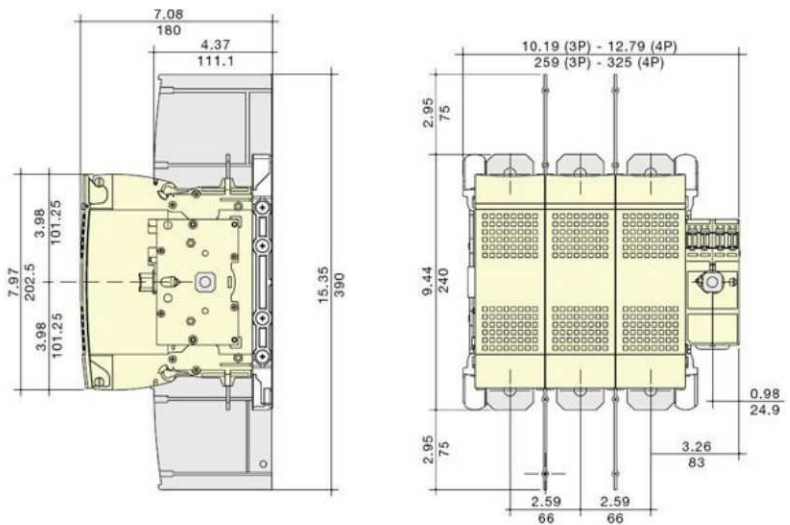
Handle for 100 A, 200 A, and 400 A
Fusible Disconnect Switches



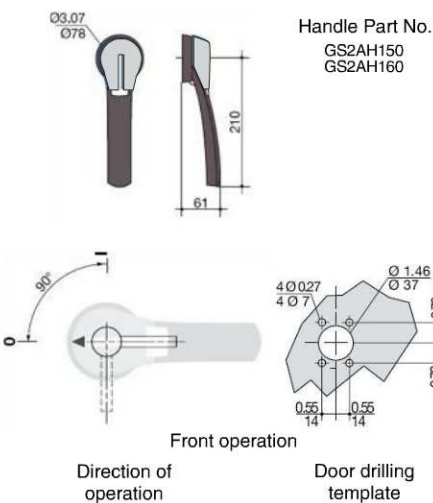
GS2MU3N, 200 A Fusible Disconnect Switches, Class J Fuses



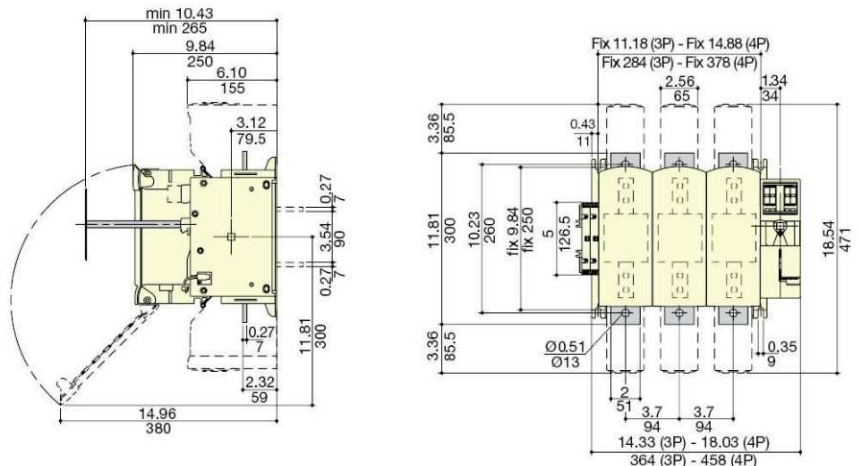
GS2QU3N, 400 A Fusible Disconnect Switches, Class J Fuses



Handle for 600 A and 800 A Fusible
Disconnect Switches



GS2SU3, 600 A Fusible Disconnect Switches, Class J Fuses
GS2TU3, 800 A Fusible Disconnect Switches, Class J Fuses



Dimensions: $\frac{\text{in.}}{\text{mm}}$