

## Datasheet

ENGLISH

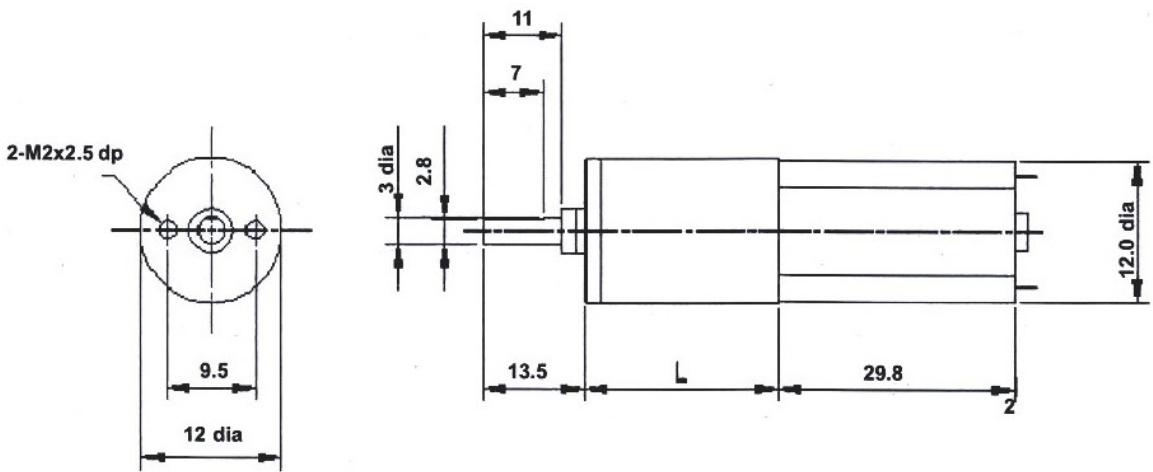
# RS PRO, 3 V dc, 845 gcm, Brushed DC Geared Motor, Output Speed 49 rpm

Stock No: 420-726



## Specifications:

Output Speed	49 rpm
Supply Voltage	3 V dc
Maximum Output Torque	845 g.cm
DC Motor Type	Brushed
Shaft Diameter	3mm
Power Rating	0.62 W
Gearhead Type	Planetary
Length	54.5mm
Width	12mm
Current Rating	450 mA
Weight	31g



Operating relative humidity 20% ~ 85%  
 Operating temperature range -10°C ~ +60°C

Ratio	L
256:1	24.7mm

Gearbox Housing material	Metal
Backlash at no-load	< 3°
Bearing at output	Sleeve bearings
Radial load (10mm from flange)	< 0.5 kgf
Shaft axial load	< 0.5 kgf
Shaft press fit force max	< 1.5 kgf
Radial play of shaft	< 0.05mm
Thrust play of shaft	< 0.20mm

Reduction Ratio	Rated tolerance Torque	Max momentary Tolerance Torque	Efficiency
1/256	1.8 kgf-cm Max.	5.4 kgf-cm	55%

Reduction Table RPM	3v
SUPPLY VOLTAGE	
420-726	49

Note: Motor speeds may vary by (+) or (-) 12.5%