

Datasheet

RS PRO RS-H16A Heavy Duty Housing



The RS PRO Heavy-Duty Connector series is a full range of heavy-duty inserts, housings, crimps and accessories. The housing is produced from corrosion resistant, powder coated, die cast Aluminium with locking levers made from galvanized Iron. These are available in standard or tall variations with both single and double locking options and offer IP65 protection. Created for applications that are subjected to harsh environments or where high vibration can cause standard connectors to fail makes these connectors ideal for food & beverage manufacturing, packaging machines, conveyor belt systems, railway, oil & gas processing and other industrial automation. The entire range of connectors are RoHS compliant and as with all RS PRO products, offer exceptional value for money.

Features & Benefits:

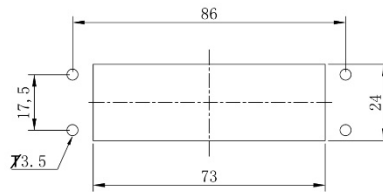
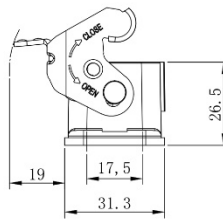
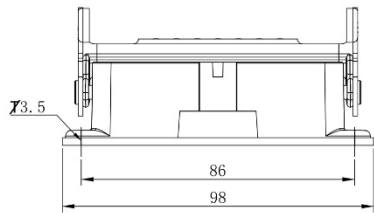
- Aluminium Die Cast Housing
- Powder Coated Surface
- IP65
- For use with PG or M style Cable Glands
- Fits RS PRO Heavy Duty Inserts

Quality Standards

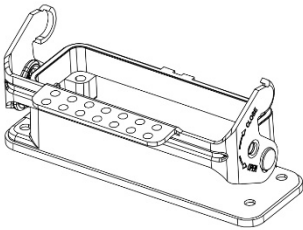


Dimensional line drawings

Bulkhead Mount 1 Locking Lever 208-4884



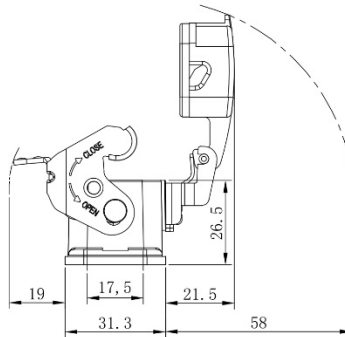
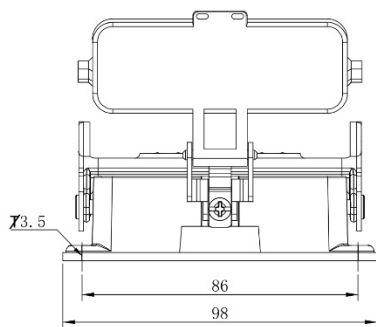
Panel cut out



- Technical specification:
- Material: Aluminium die-cast
 - Surface: powder-coated
 - Colour: (grey)
 - Temperature range: -40°C - +125°C
 - Degree of Protection: IP65 (acc.to IEC 60529 for coupled connector)
 - Locking element:
 - locking type: single locking latch
 - material: metal galvanized/nickel plating
 - Cable entry: bottom entry
 - Hoods/Housings sealing: NBR

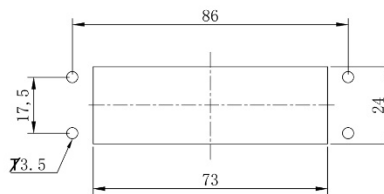
Dimensional line drawings

Bulkhead Mount 1 Locking Lever with Plastic Cover 208-4885

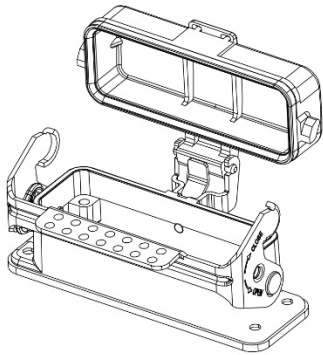


Technical specification:

- Material: Aluminium die-cast
- Material, cover: PC
- Surface: powder-coated
- Colour: (grey)
- Temperature range:
 - 40°C - +125°C
- Degree of Protection: IP65
(acc. to IEC 60529 for coupled connector)
- Locking element:
 - locking type: single locking latch
 - material: metal galvanized/nickel plating
- Cable entry: bottom entry
- Hoods/Housings sealing: NBR



Panel cut out

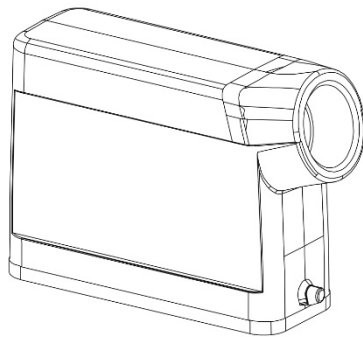
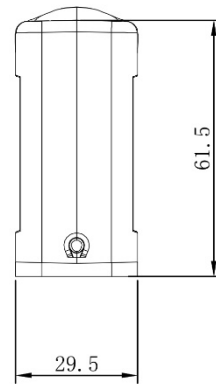
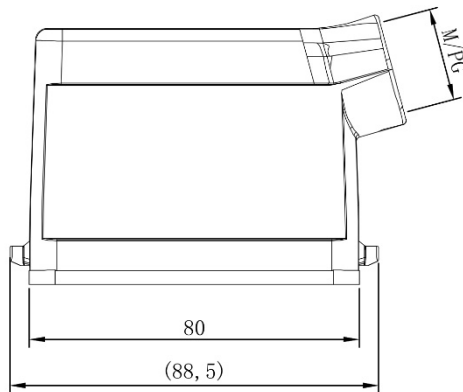


Dimensional line drawings

Side Entry Hood 2 Locking Points

M20 = 208-4887

PG16 = 208-4888



Technical specification:

- Material: Aluminium die-cast
- Surface: powder-coated
- Colour: (grey)
- Temperature range:
 - 40°C - +125°C
- Degree of Protection: IP65
(acc.to IEC 60529 for coupled connector)
- Cable entry: side entry
- No. of cable entries: 1
- Thread size: M/PG
- Hoods/Housings sealing: NBR

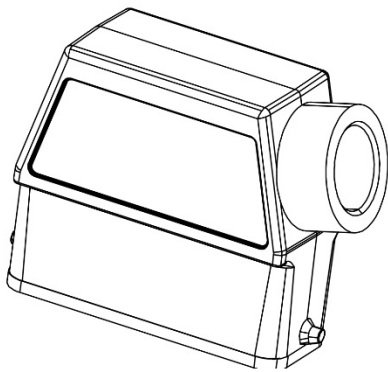
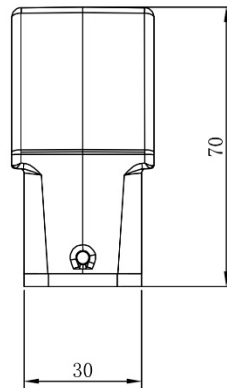
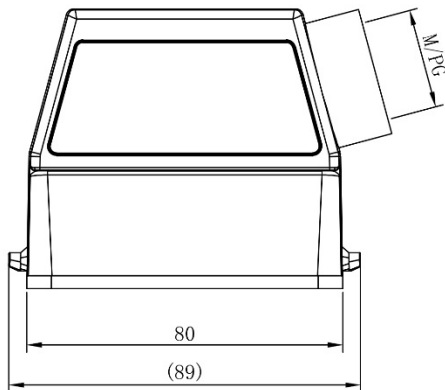
Dimensional line drawings

Side Entry High Hood 2 Locking Points

M25 = 208-4889

PG16 = 208-4890

PG21 = 208-4891



- Technical specification:
- Material: Aluminium die-cast
 - Surface: powder-coated
 - Colour: (grey)
 - Temperature range: -40°C - $+125^{\circ}\text{C}$
 - Degree of Protection: IP65
(acc.to IEC 60529 for coupled connector)
 - Cable entry: side entry
 - No. of cable entries: 1
 - Thread size: M/PG
 - Hoods/Housings sealing: NBR

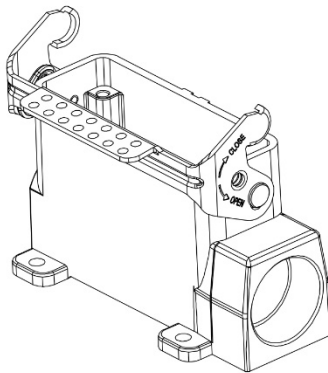
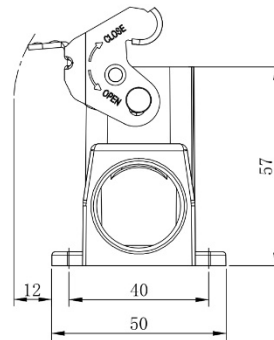
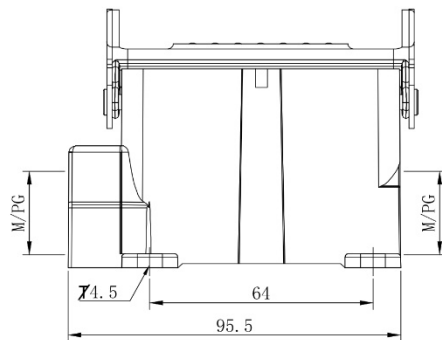
Dimensional line drawings

Surface Mount 1 Locking Lever 2 Cable Openings

2xM20 = 208-4893

2xM25 = 208-4894

2xPG16 = 208-4895



Technical specification:

- Material: Aluminium die-cast
- Surface: powder-coated
- Colour: (grey)
- Temperature range:
 - 40°C - +125°C
- Degree of Protection: IP65
(acc.to IEC 60529 for coupled connector)
- Locking element:
 - locking type: single locking latch
 - material: metal galvanized/nickel plating
- Cable entry: side entry
- No. of cable entries: 1
- Thread size: M/PG

Dimensional line drawings

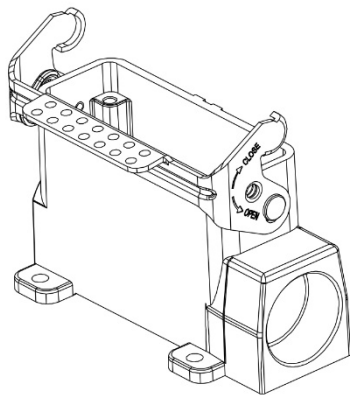
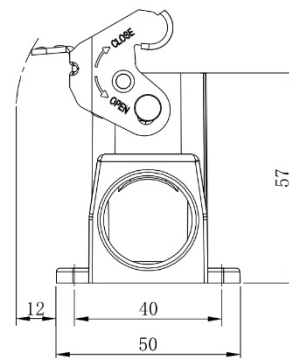
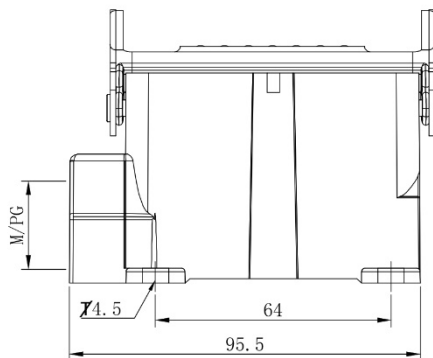
Surface Mount 1 Locking Lever Single Cable Opening

M20 = 208-4903

M25 = 208-4904

PG16 = 208-4905

PG21 = 208-4906



Technical specification:

- Material: Aluminium die-cast
- Surface: powder-coated
- Colour: (grey)
- Temperature range:
 - 40°C - +125°C
- Degree of Protection: IP65
(acc. to IEC 60529 for coupled connector)
- Locking element:
 - locking type: single locking latch
 - material: metal galvanized/nickel plating
- Cable entry: side entry
- No. of cable entries: 1
- Thread size: M/PG

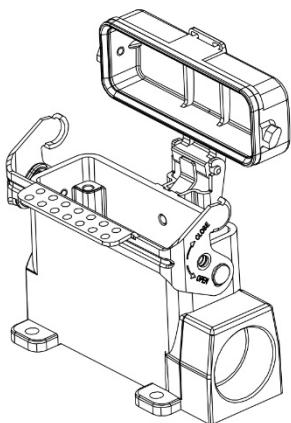
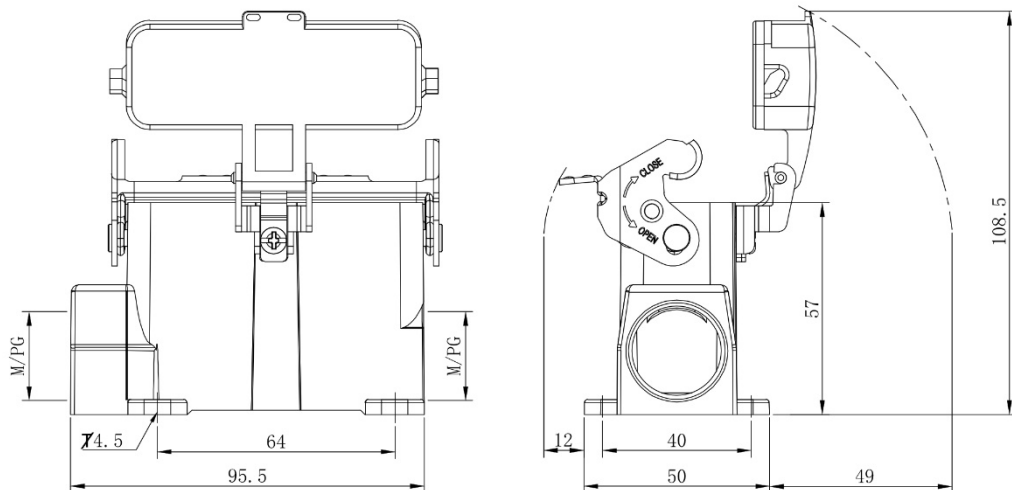
Dimensional line drawings

Surface Mount 1 Locking Lever 2 Cable Openings with Plastic Cover

2xM20 = 208-4896

2xM25 = 208-4897

2xPG16 = 208-4898



Technical specification:

- Material: Aluminium die-cast
- Material, cover: PC
- Surface: powder-coated
- Colour: (grey)
- Temperature range:
 - 40°C - +125°C
- Degree of Protection: IP65
(acc.to IEC 60529 for coupled connector)
- Locking element:
 - locking type: single locking latch
 - material: metal galvanized/nickel plating
- Cable entry: side entry
- No. of cable entries: 2
- Thread size: M/PG
- Hoods/Housings sealing: NBR

Dimensional line drawings

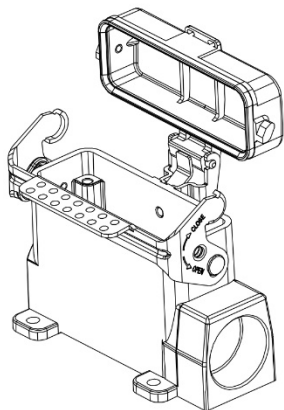
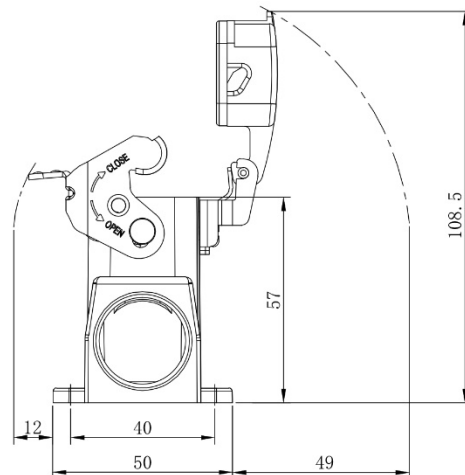
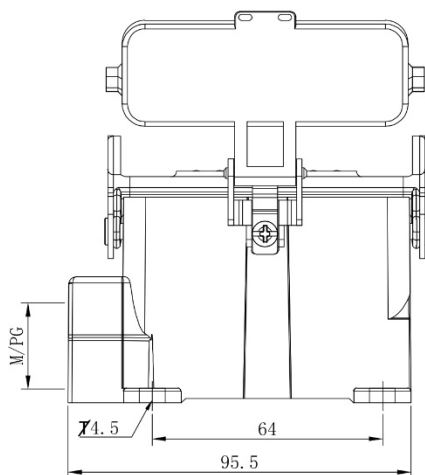
Surface Mount 1 Locking Lever Single Cable Opening with Plastic Cover

M20 = 208-4899

M25 = 208-4900

PG16 = 208-4901

PG21 = 208-4902



Technical specification:

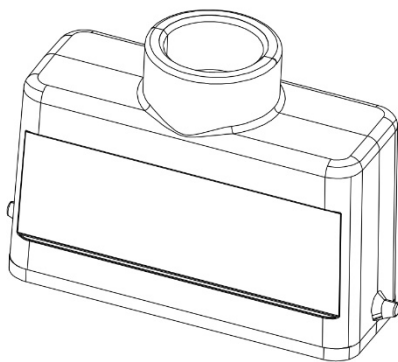
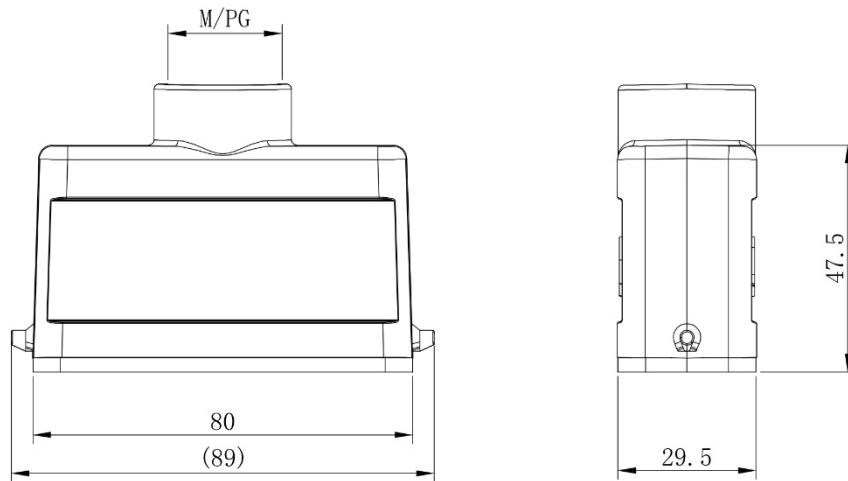
- Material: Aluminium die-cast
- Material, cover: PC
- Surface: powder-coated
- Colour: (grey)
- Temperature range:
 - 40°C - +125°C
- Degree of Protection: IP65
(acc.to IEC 60529 for coupled connector)
- Locking element:
 - locking type: single locking latch
 - material: metal galvanized/nickel plating
- Cable entry: side entry
- No. of cable entries: 1
- Thread size: M/PG
- Hoods/Housings sealing: NBR

Dimensional line drawings

Top Entry Hood 2 Locking Points

M20 = 208-4907

PG16 = 208-4908



Technical specification:

- Material: Aluminium die-cast
- Surface: powder-coated
- Colour: (grey)
- Temperature range:
 - 40°C - +125°C
- Degree of Protection: IP65
(acc.to IEC 60529 for coupled connector)
- Cable entry: top entry
- No. of cable entries: 1
- Thread size: M/PG
- Hoods/Housings sealing: NBR

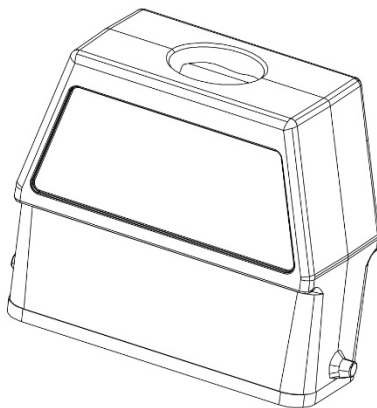
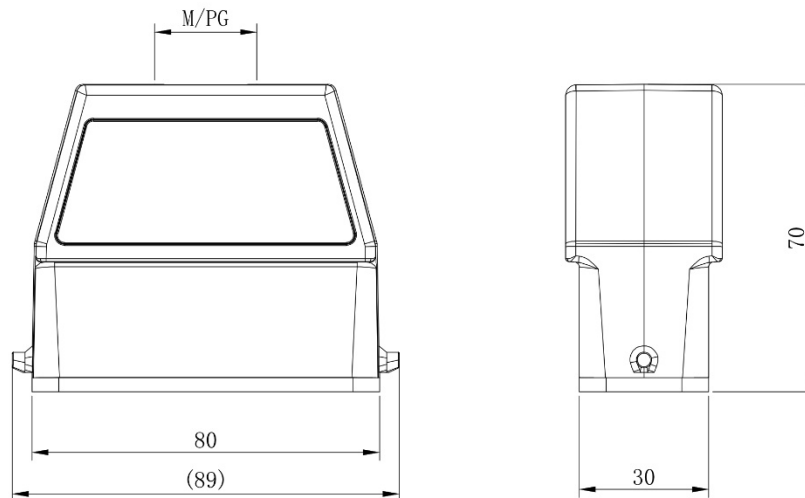
Dimensional line drawings

Top Entry High Hood 2 Locking Points

M25 = 208-4909

PG16 = 208-4910

PG21 = 208-4911



- Technical specification:
- Material: Aluminium die-cast
 - Surface: powder-coated
 - Colour: (grey)
 - Temperature range:
-40°C - +125°C
 - Degree of Protection: IP65
(acc.to IEC 60529 for coupled connector)
 - Cable entry: top entry
 - No. of cable entries: 1
 - Thread size: M/PG
 - Hoods/Housings sealing: NBR