

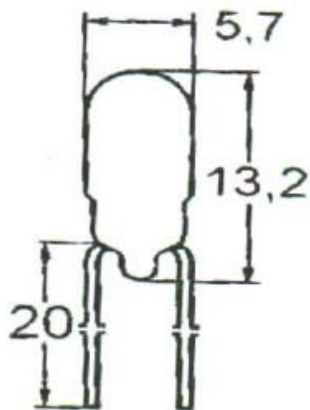
## Datasheet

### Wire Terminal Filament Indicator Lamp

RS Stock number 655-9390



#### Dimensions: (mm)



| Structure     |            | Design Characteristics |             |
|---------------|------------|------------------------|-------------|
| Bulb Type     | T3/4 Clear | Voltage                | 6V          |
| Bulb Diameter | 5.7±0.1mm  | Amperage               | 200mA±10%   |
| Length        | 13.2±0.1mm | Filament Type          | Vacuum Type |
| Base Type     | W.T        | Luminous Flux          | 5.0Lm±20%   |
|               |            | Life Hours             | 20,000Hours |