

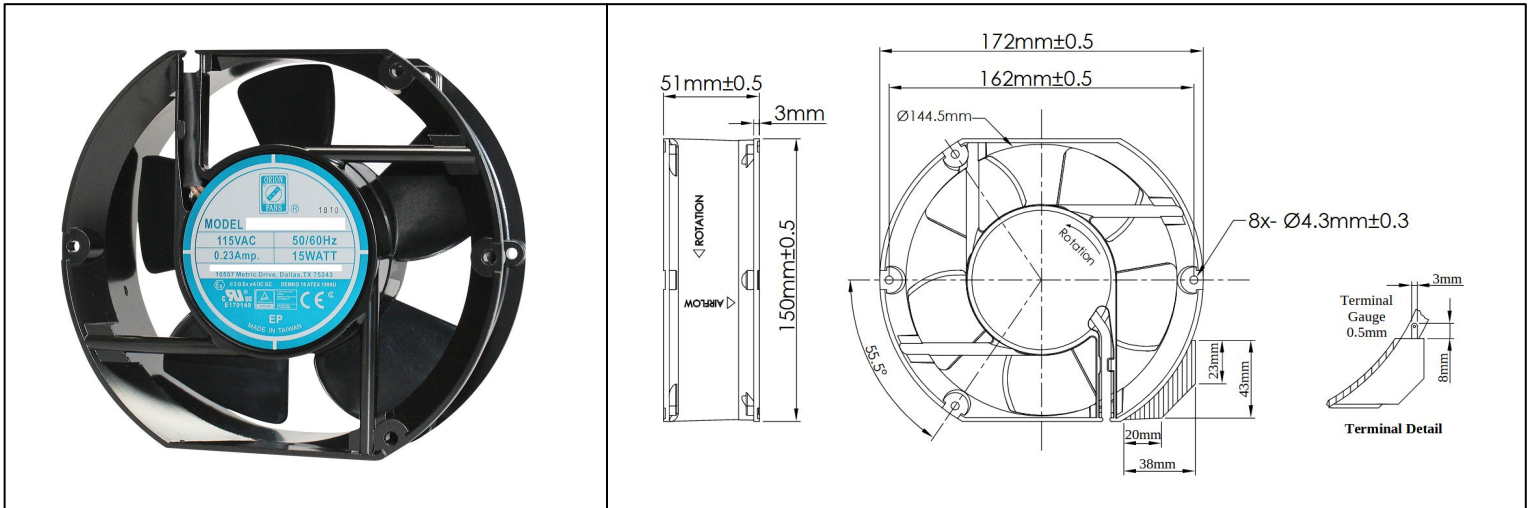


Datasheet

RS PRO EC FAN 172x150x51mm

Stock Number: 230-3029

EN



Frame	Die Cast Aluminum	<u>Operating Temperature</u> -20°C ~ +70°C	
Impeller	PBT, UL94 V-0 Plastic	<u>Storage Temperature</u> -30°C ~ +75°C	
Connection	Terminals	<u>Life Expectancy</u> 50,000 hours (L10 at 40°C)	
Motor	Brushless EC, Auto Cutoff, Auto Restart, Electronically Protected, Class A Insulation, IP68 with ATEX	Weight: 0.7Kgs (1.54 lbs)	
Bearing System	Dual Ball Bearings		
Dielectric Strength	1500VAC/min, <1mA		
Insulation Resistance	≥10M Ohm @ 500 VDC		

Model Number	
Rated Voltage	230 VAC ± 10%
Rated Power (Watts)	15 ± 15%
Rated Current (A)	0.14 ± 15%
Rated Speed (RPM)	3000 ± 15%
Airflow (CFM)	220 ± 15%
Noise Level (dB)	57
Max. Static Pressure	0.62" H ₂ O ± 15%