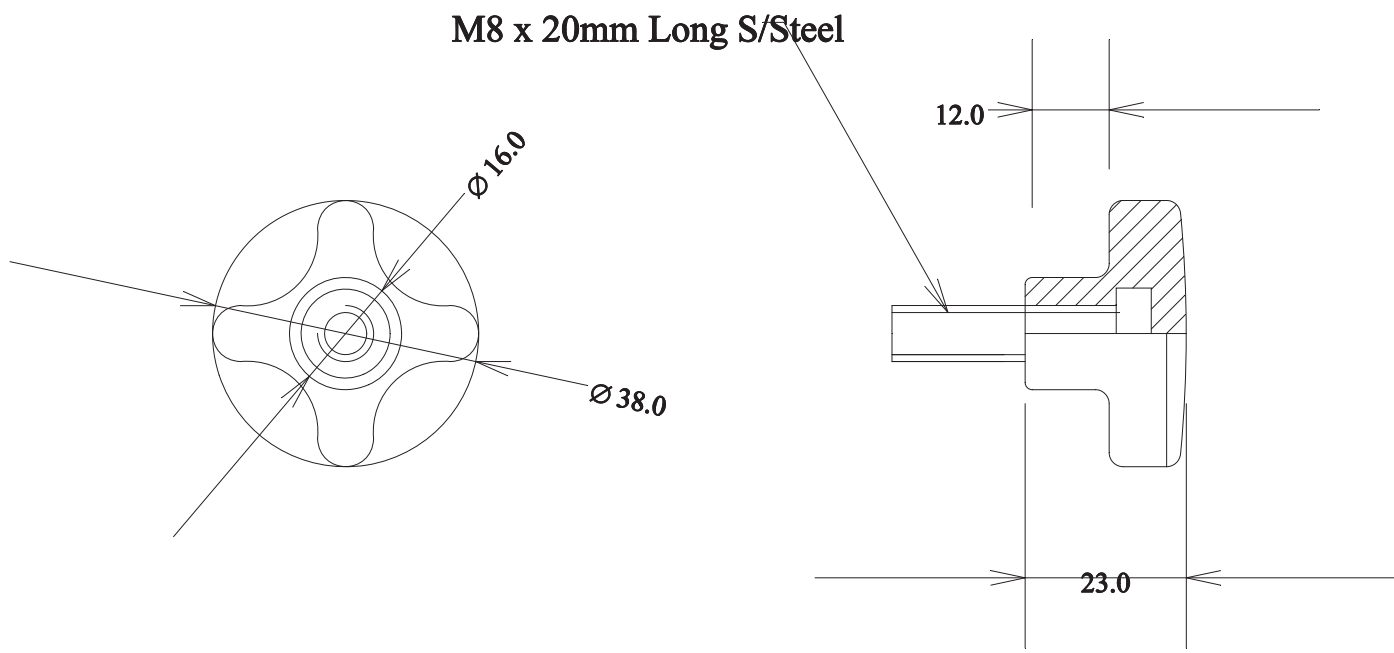




RevNo	Revision note	Date	Signature	Checked
-------	---------------	------	-----------	---------

A
B
C
D
E
F

A
B
C
D
E
F



Quantity	Title Star Knob - Polypropylene REV.2			Article No./Reference	
Designed by	Checked by	Approved by - date	Filename	Date	Scale
				06/04/10	1:1
			RS 7027730		
			Edition	Sheet	
			1	1/1	

1 2 3 4 5 6 7 8