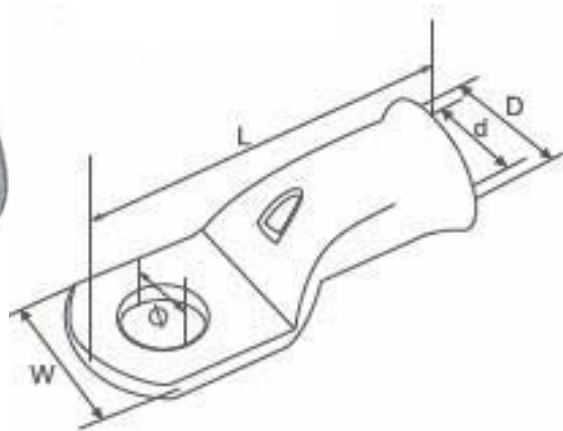




Product Datasheet

ENGLISH

FLARED ENTRY COPPER TUBE TERMINALS



Specification

MATERIAL: HIGH CONDUCTIVITY COPPER TO BS2871

PURITY: >99.9%

COATING: TIN

Features: FLARED ENTRY

Dimensions



RS CODE	SIZE	STUD	Φ	D	d	W	L
	(mm) ²						
8417601	10	5	5.3	6.6	4.5	11	30
8417605		6	6.5	6.6		11	30
8417614		8	8.3	6.6		12.5	30
8417617	16	6	6.5	7.5	5.5	11	30.7
8417611		8	8.3	7.5		12.5	30.7
8417620	25	6	6.5	9.1	6.7	13	32.2
8417623		8	8.3			13	32.2
8417627		10	10.3			16	36.9
8417636	35	8	8.3	11	8.6	16	37.6
8417639		10	10.3			17	41.5
8417633	50	10	10.3	12.4	9.5	18	44
8417642		12	12.7			19	44
8417645	70	10	10.3	15	12	22.5	52.4
8417649		12	12.7			22.5	52.4
8417658	95	10	10.3	17	13.4	25	54.7
8417651		12	12.7			25	54.7
8417655	120	10	10.3	19	15	27.5	60
8417664		12	12.7			27.5	60
8417667	150	10	10.3	21.2	16.5	30.8	67
8417661		12	12.7			30.8	67