



Datasheet

RS PRO Fan Mount Rivet 32,3mm 40A

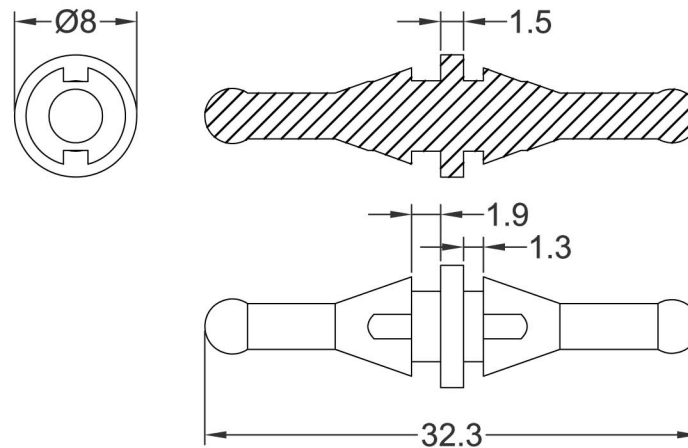
Stock number: 172-0881

EN



DIMENSIONS	TOLERANCE
<4mm	±0.20
4mm~15mm	±0.30
15mm~30mm	±0.40
30mm~50mm	±0.50

REVISIONS			
REV	DESCRIPTION	DATE	BY
01	NEW DRAWING	2012-4-21	Jack Xu



Unit:mm

Hole Dia.x2	Fan Thickness	Panel Thickness
5.0	Max. 2.0	Max.1.4

SCALE	2:1	PART NAME	Fan Snap Rivet
COLOR	BLACK	PART NO.	172-0881
DRAWN	ALEX	MATERIAL	EPDM 40 Shore A
CHECK	JACK	DRAWING NO.	KS180711-9
APPROVED	GARY	DRAWING DATE	2012-4-21