

Datasheet IP67 Rated Limit Switch Box

RS Stock No: 7605722



Standard IP67

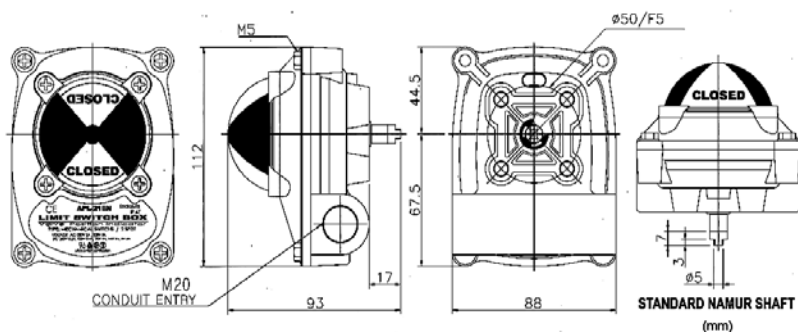
Materials

Housing cover & Body	=	Aluminium
Shaft	=	Stainless Steel
Indicator cover	=	Polycarbonate
Indicator	=	ABS/Polycarbonate
Cam	=	Polycarbonate
Spring	=	Stainless Steel
Housing cover bolt	=	Stainless Steel
O-ring	=	NBR
Bushing	=	Bronze
E-ring (Shaft)	=	Stainless Steel
Earth lug	=	Stainless Steel
Bracket	=	Stainless Steel

Dimensions



Typical Installation



SPECIFICATION	STANDARD	OPTION
Enclosure	Weatherproof IP67/NEMA4 & 4X	IP 68
Ambient temperature	-20°C – 80°C	
Conduit entries	2 x M20	PF1/2", PT1/2", PG13.5
Terminal Strips	8 points (0.08-2.5mm ²)	
Position indicator	Closed: red Open: yellow	Closed: red Open: yellow
Switches	Mechanical switch x2	
	Proximity sensor x2	
External coating	Polyester powder coating (black)	red, green, blue, yellow, silver colour Nylon coated
Shaft	Standard shaft (17mm)	Long shaft