

Datasheet

RS PRO VINYL SLEEVE

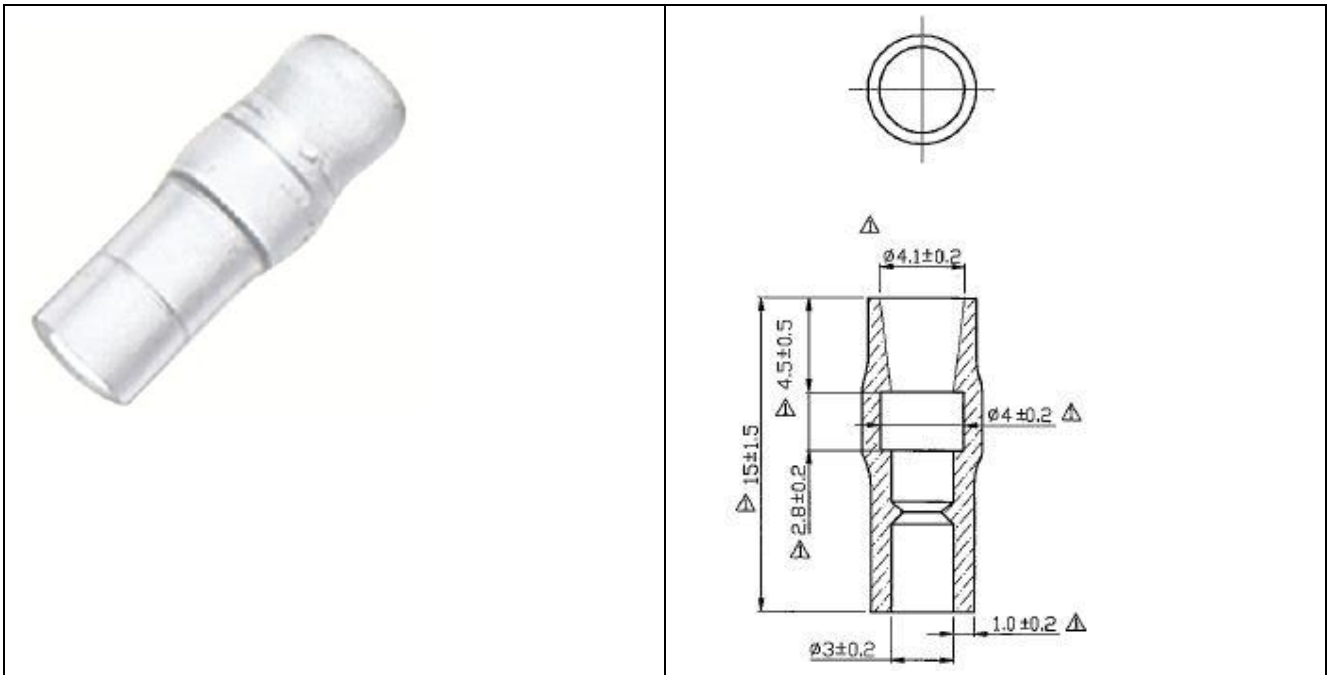
Stock number: 178-7169

MATERIAL: PVC

TEMPERATURE RANGE: UNDER 80 ° C

MELTING: 160 ° C

MAX. VOLTAGE: 500V



MATCHING: Ø 4.0 OPEN BARREL MALE DISCONNECTORS (178-7173)

