



# Datasheet

# RS200 Aluminium Housed Resistors



ENGLISH

Stock No: 1742545,1742546,1742547,  
1742548,1742549,1742550,1742551,1742552,17425  
53,1742554,1742555,1742556,1742557,1742558



## Product details:

Manufactured in line with the requirements of MIL 18546 and IEC 115, designed for direct heatsink mounting with thermal compound to achieve maximum performance

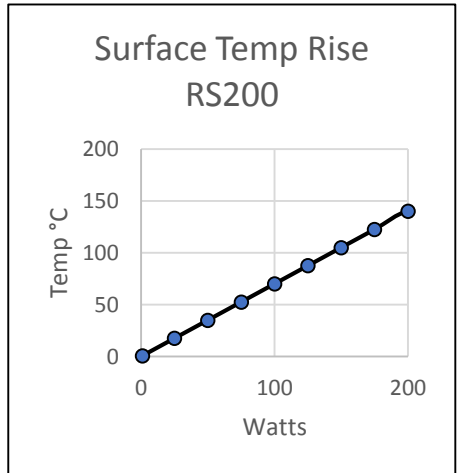
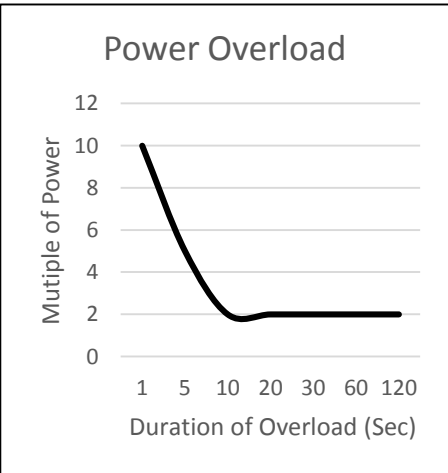
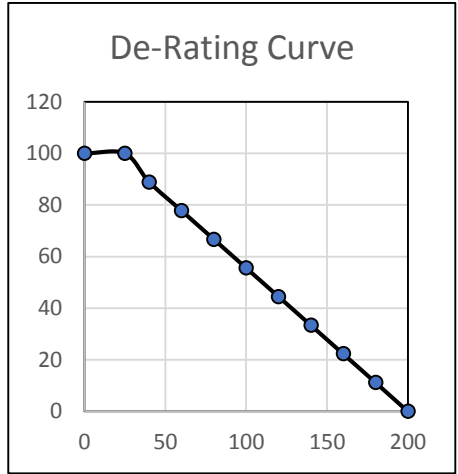
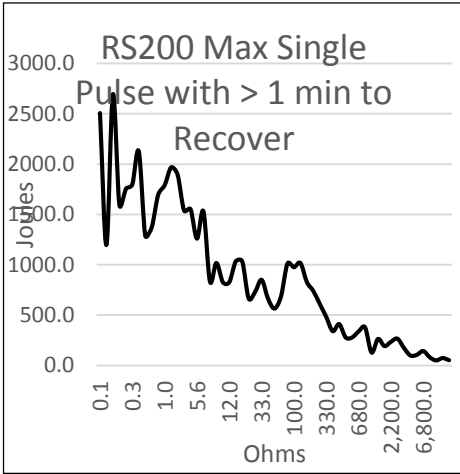
- **High Power to Volume**
- **Wound to maximize High Pulse Capability**
- **Values from R01 to 50K**
- **Custom designs welcome**
- **RoHS Compliant**

## Heat dissipation:

Whilst the use of proprietary heat sinks with lower thermal resistances is acceptable, uprating is not recommended. For maximum heat transfer it is recommended that a heat sink compound be applied between the resistor base and heat sink chassis mounting surface. It is essential that the maximum hot spot temperature of 200°C is not exceeded, therefore, the resistor must be mounted on a heat sink of correct thermal resistance for the power being dissipated.



# Overload/De-rating & Temperature Rise

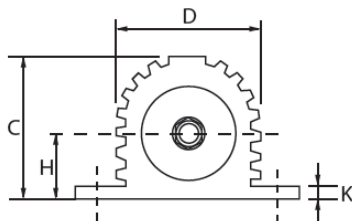
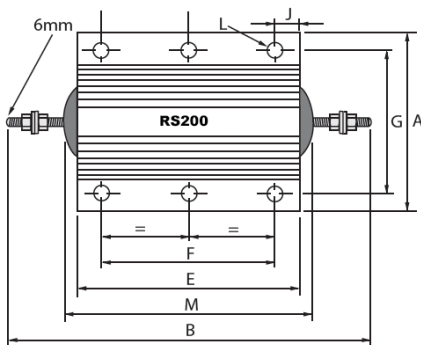




## Specifications:

Power rating on std heatsink @25°C	200 Watts	
Watts with no heatsink@25°C	55 Watts	
Resistance range	R01 – 50K	
Limiting Element Voltage	2200	
Voltage proof AC Peak	7070	
Voltage proof AC RMS	5000	
Approx. weight GMS	600	
Typical surface rise RS300 Mounted	0.7°C/W	
Standard heatsink	Area	4765CM <sup>2</sup>
	Thickness	3mm

## RS200 Dimensions (mm):



A Max	B Max	C Max	D Max	E Max	F±0.3	G±0.3	H Max	J Max	K Max	L±0.45	M Max
72.5	145.7	41.8	45.5	89.7	70.0	57.2	20.5	10.4	5.5	5.1	103.4