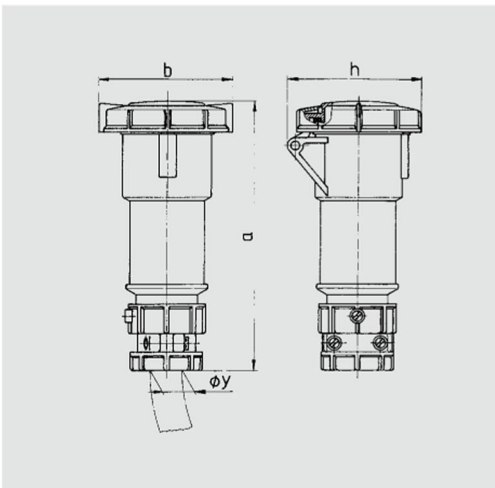
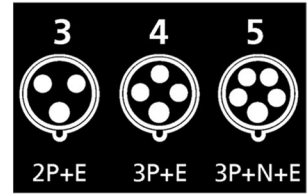


Connector Part no.3875



■ screw terminals

Protection type IP 67
 Ampere 16A
 Poles 4p
 Voltage 440V
 Hertz 60Hz
 Earth position 11h
 Contact Standard
 Connection technology Screw terminals



Drawing	Amp.	16			32		
		Poles			3	4	5
3 MB 48/3		3	4	5	3	4	5
Dim. in mm	a	171	182	194	217	217	229
	b	78	85	96	103	103	110
	h	79	88	95	99	99	105
	y	19	19	22	24,5	24,5	28,5
Terminal for cond. cr	oss	1	1	1	2,5	2,5	2,5
section (mm ²) min.-max.		—2,5	—2,5	—2,5	—6	—6	—6

