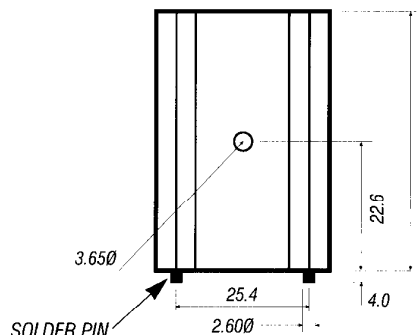
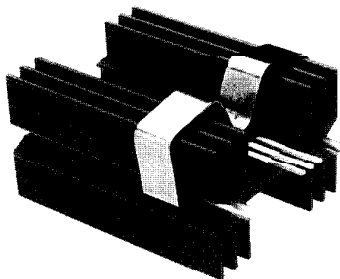
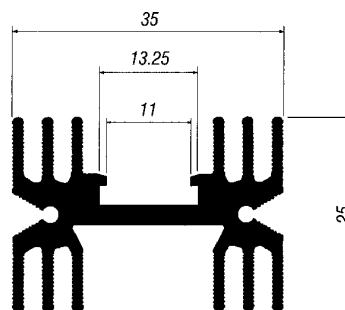


BOARD MOUNTING SERIES

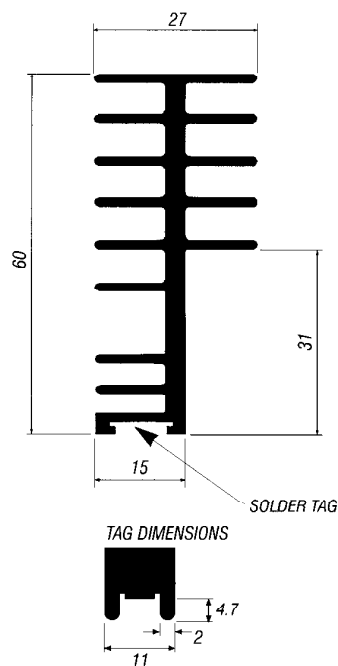
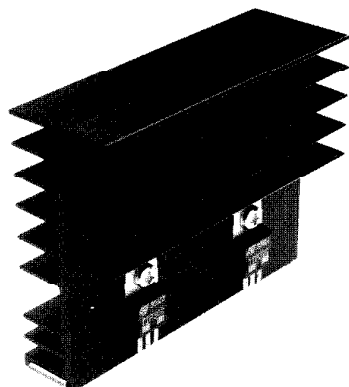
PPD (T0220, T03P, etc) (DEVICE CLIPS AVAILABLE WITH THIS HEATSINK - CLIP 03)



Length mm L	Part Number	Holes	Thermal Rating °C/W
38	PPD38P	NO	7.00
38	PPD38PH	YES	7.00
50	PPD50P	NO	5.5
50	PPD50PH	YES	5.5
63	PPD63P	NO	4.5
63	PPD63PH	YES	4.5



PPH (T0220, T03P, etc) AVAILABLE WITH OR WITHOUT SOLDER TAGS



Length mm L	Part Number without Solder Tags	Part Number with Solder Tags	Thermal Rating °C/W
50	PPH0500B	PPH0500B-TAG 02	2.75
75	PPH0750B	PPH0750B-TAG 02	2.30
100	PPH1000B	PPH1000B-TAG 02	2.00
150	PPH1500B	PPH1500B-TAG 02	1.60