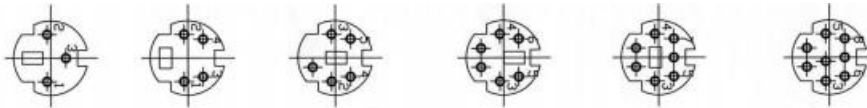


Datasheet

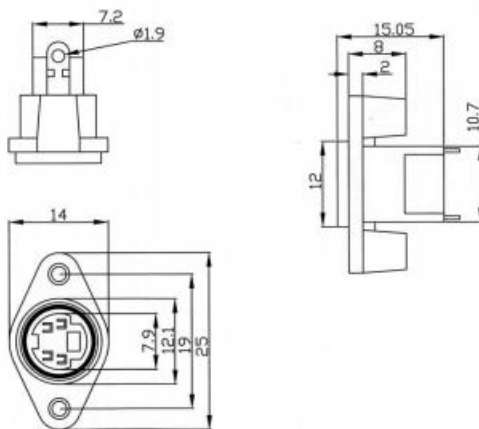
Pole Female Straight Miniature DIN Connector

RS Stock number [183-1798](#)

Dimensions: (mm)



GTT P/N	MDR603	MDR604	MDR605	MDR606	MDR607	MDR608
RS P/N	183-1760	183-1782		183-1798		183-1805
No of pins	3	4	5	6	7	8



Specification

- Rating: 100V 1A
- Contact Resistance: 30m ohm max
- Insulator: PBT UL84V-0
- Insertion Force: 4.5kg Max
- Withdrawal Force: 0.9kg-3kg