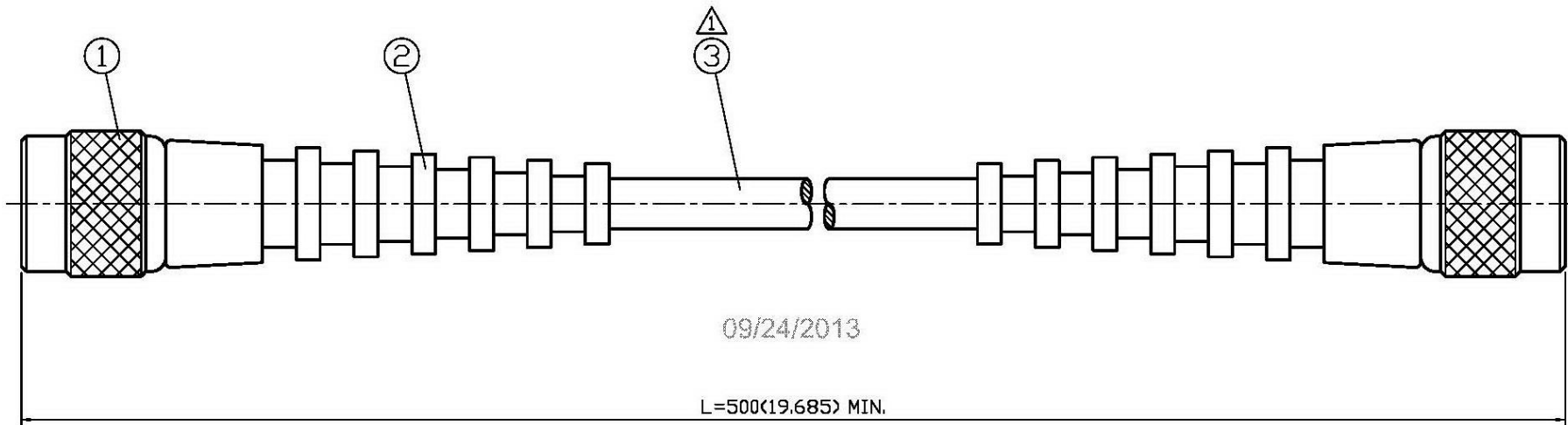


NO	DESCRIPTION	DATE
⚠	CE02-01 → YE02-03 MODIFICATION PART ③	12.28.06'
⚠	ADD CABLE RETENTION ADD ENVIRONMENTAL ADD WORKING VOLTAGE ADD PROOF VOLTAGE	08.16.10'
⚠	DEL PROOF VOLTAGE WORKING VOLTAGE → VOLTAGE RATING	09.24.13'



### 1.0 ELECTRICAL

- 1.1 FREQUENCY RANGE: DC-1 GHz
- 1.2 NOMINAL IMPEDANCE: 50 OHMS
- 1.3 VOLTAGE RATING: 500 VOLTS MAX. ⚠⚠

### 2.0 MATERIALS

- 2.1 BODIES: BRASS PER JIS-C3604
- 2.2 CENTER CONTACT: BRASS PER JIS-C3604
- 2.3 CRIMP FERRULE: BRASS PER JIS-C2700

### 3.0 FINISHES AND OTHERS

- 3.1 SEE BELOW TABLE FOR DETAILS.

### 4.0 MECHANICAL

- 4.1 INTERFACE IN ACCORDANCE WITH: MIL-STD-348A
- 4.2 CABLE RETENTION 40 lbs MIN. ⚠

### 5.0 ENVIRONMENTAL ⚠

- 5.1 OPERATING TEMPERATURE RANGE: -40° C TO +60° C

3	CABLE	1	RG-58C/U	⚠
2	BOOT	2	PVC (BLACK)	
1	15-10-4 58U (50Ω)	2	D.G.N	
NO	DESCRIPTION	Q'TY	FINISH	



APPROVED

by \_\_\_\_\_ DATE: \_\_\_\_\_

DESCRIPTION		TNC PLUG CRIMP ST.+TNC PLUG CRIMP ST.+RG-58C/U	
製圖	DRAWN <i>Kristina</i>	TOLERANCE .X ±0.2	品名 YE02-03 ⚠ ROHS COMPLIANT
檢圖	CHECK <i>Ivan</i>	.XX ±0.1	UNIT mm(in)
認定	APPROVAL <i>Angela</i>	.XXX ±0.05 ANGLE ±5°	SCALE 2:1
DATE	09.02.05'	版次	A-3
DWG.NO.	99-0176		