

ABT-462-RC PIEZO TRANSDUCER

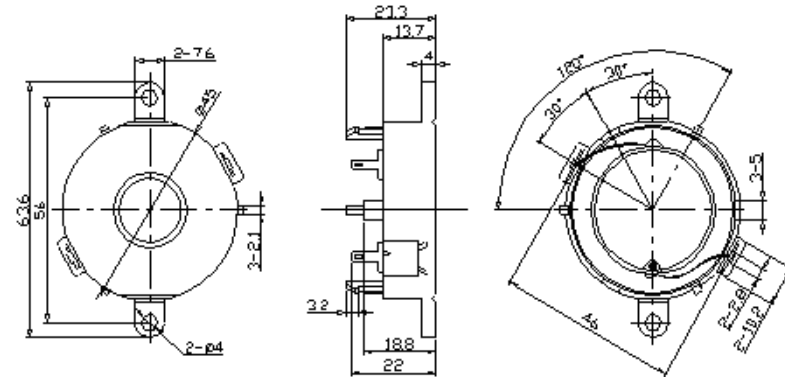
SOUNDERS & BUZZERS

Specifications

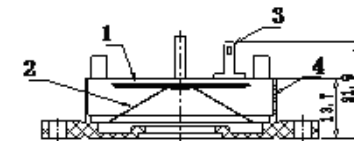
ABT-462-RC

Rated voltage(Vp-p square wave)	12Vp-p
Sound output at 30cm, 12Vp-p square wave, 3000Hz (min)	≥100dB
Frequency response*	2200-4000Hz
Capacitance at 120Hz	140±30%nF
Continuous drive voltage (max)	50Vp-p (50% duty cycle)
Intermittent drive voltage (max)	60Vp-p (50% duty cycle)
Operating temperature	-40~+105°C
Storage temperature	-40~+105°C

*Value applying at rated voltage (AC)
Requires additional electronic circuitry to operate as a sounder



1. Piezo element - brass
2. Film
3. Lead pin - Red copper (DSn)
4. Housing - Nylon PA46



Features

- ROHS compliant
- Lead pin material: Red copper (DSn)

All data at 25°C unless otherwise specified

Dimensions Unit: mm Tolerance: ±0.5mm



ALAN BUTCHER COMPONENTS LTD

Alan Butcher Components Ltd

Unit 1 Beechwood Clump Farm Industrial Estate Tin Pot Lane Blandford Dorset DT11 7TD

Telephone 01258 456360 Facsimile 01258 459194 Email sales@abcomponents.co.uk

www.abcomponents.co.uk