

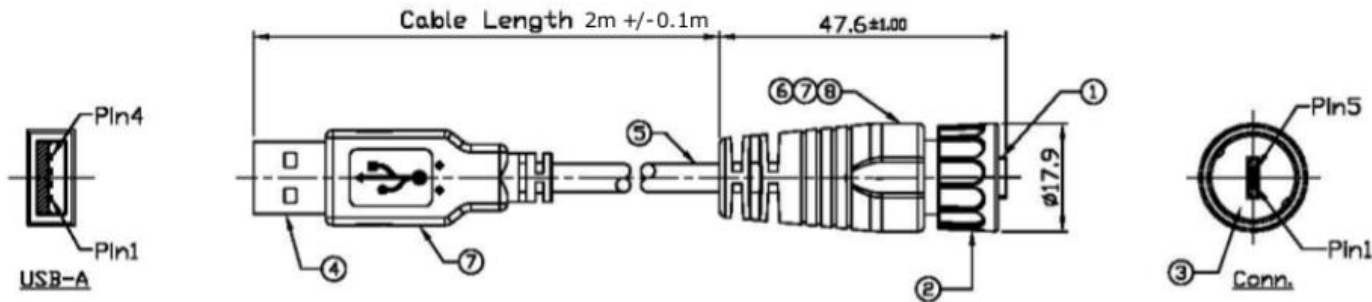


1 | 2 | 3 | 4

Notes (Unless Otherwise Specified)

- 1. Waterproof Rate: IP67.
- 2. RoHS Compliant.

REV	ECN#	DESCRIPTION OF REVISION	DRAW BY DATE	CHECK BY DATE	APPROVE BY DATE
01			Hank 12/23/15	Lucas 12/23/15	Ray 12/23/15



8	PCB	FR-4 Color: -	1
7	Over Mold	PVC Color: Black	2
6	Inner Mold	Thermoplastic Color: Black	1
5	Cable	UL2725 #1828AWG+20K24AWG+4/17y+3+3 Color: Black, OD=5.0mm	1
4	USB-A Plug	Housing: Thermoplastic, Color: Black Contact: Copper Alloy, Finish: Au Plated Shell: Cold Roll Steel, Finish: Ni Plated	1
3	Rubber Pad	Silicone Color: Black	1
2	Lock Nut	Thermoplastic Color: Black	1
1	Micro USB-B Plug	Housing: Thermoplastic, Color: Black Contact: Copper Alloy, Finish: Au Plated Shell: Cold Roll Steel, Finish: Ni Plated	1
Item	Part Name	Material / Finish	QTY

1	Red	1
2	White	2
3	Green	3
	N/C	4
4	Black	5
Shell	Drain	Shell

USB-A                      Conn.

Wiring Diagram

Mating Parts:  
111-6750  
111-6751

TITLE						REV.
Micro USB-B Plastic C2 Cable End Lock With USB-A Plug						01
	B	1:1	Hank 12/23/15	Lucas 12/23/15	Ray 12/23/15	XX ± 0.5 XXX ± 0.2
THIRD ANGLE PROJECTION	SIZE	SCALE	DRAW / DATE	CHECK / DATE	APPROVE / DATE	XXXX ± 0.05 ANGLES ± 1°
						mm 1/1
						TOLERANCES UNIT SHEET

RS Stock No  
122-3018

1 | 2 | 3 | 4