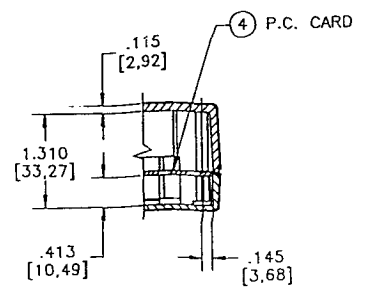
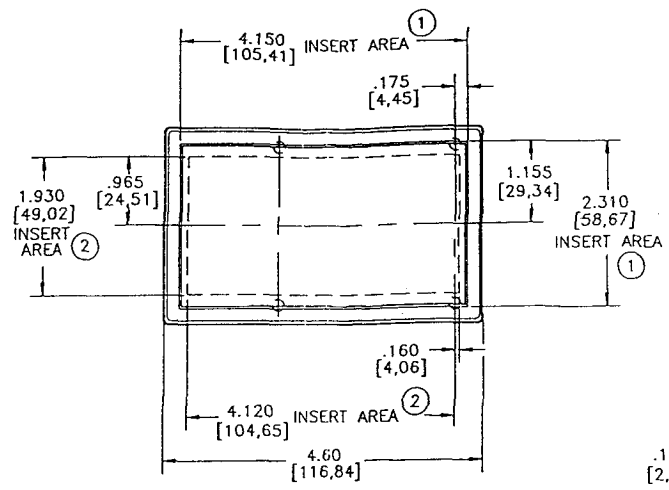
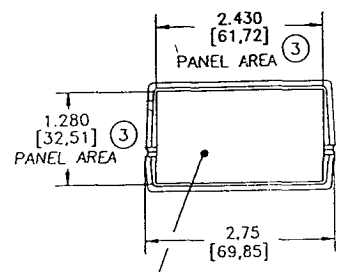
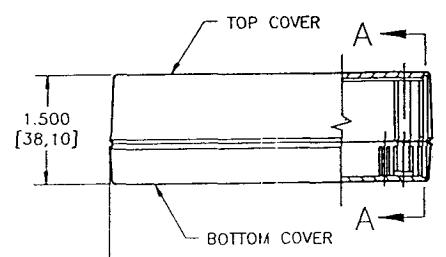
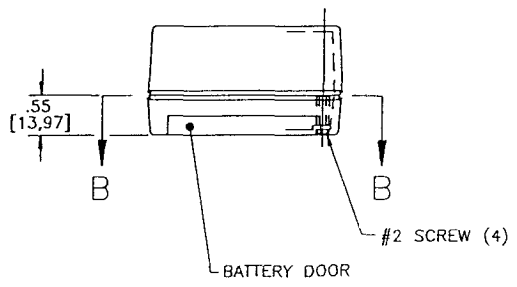
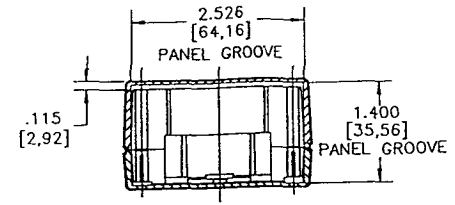


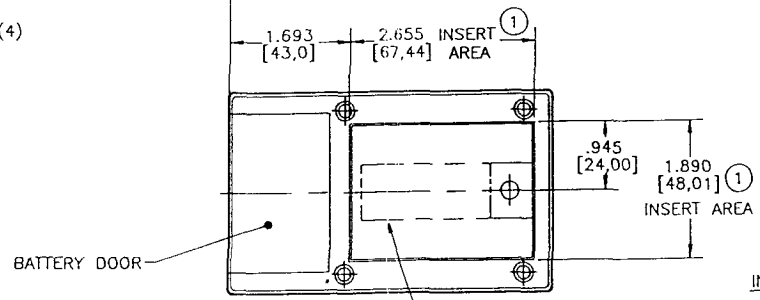
SECTION B-B



SECTION A-A



PANEL
 1.400 ± .002 [35,56 ± 0,05] H
 X 2.526 ^{+0,03} _{-.002} [64,16 ^{+0,08} _{-0,05}] W
 X .062 ± .003 [1,57 ± 0,08] THK.,
 IN PANEL GROOVE AREA



INCHES
[MM]

- ① EXTERIOR INSERT AREA, FOR IN MOLD MODIFICATION.
- ② INTERIOR INSERT AREA, FOR IN MOLD MODIFICATION.
- ③ USABLE PANEL AREA, PANEL THICKNESS .100 ± .005 [2,54 ± 0,13].
- ④ PC CARD 2.95 [74,93] L X 2.51 [63,75] W X .062 [1,57] THK.

BELT CLIP OPTIONAL
SEE SCHEDULE

1/17/94

MODEL HML-ET-9VB			
USERS DIAGRAM			
SIZE	QTY. DET. NO.	MANUFACT. NO.	REV.
C		66825	A
SCALE 1/1		SHEET 1	OF 1

