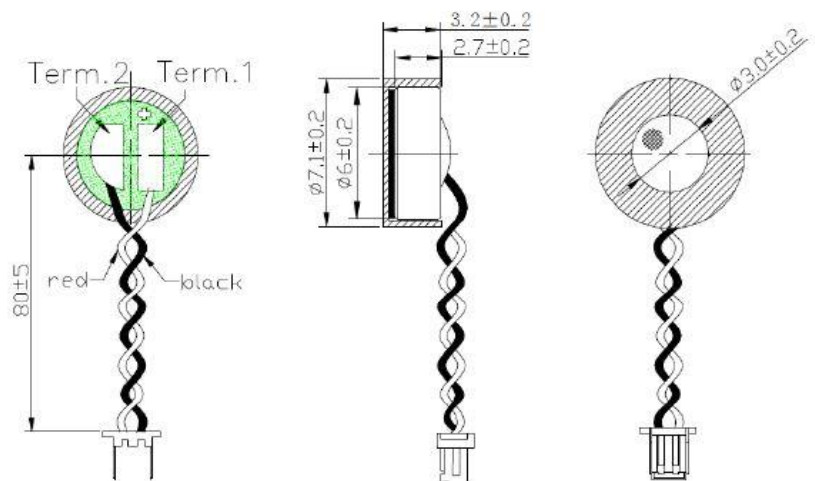


Datasheet

RS Pro Electret Condenser Microphone

RS Stock No: 171-0902



RS Pro Electret Condenser Microphone

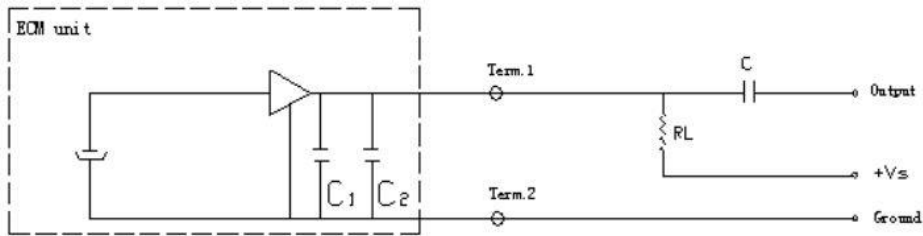
RS Pro Electret Condenser Microphone. These component microphones are widely used for audio recording, voice recognition and audio sensing products.

Features and Benefits

- Omnidirectional
- Through Hole
- Wire leads and connector

Application Information

RS Pro Electret Microphone. Typical applications for electret condenser microphones include PDAs, recording devices, computers, telephones, hearing aids and security entry panels.



Attribute	Value
Sensitivity	-42dB
Directivity	Omni-Directional
Standard Operating Voltage	2V
Mounting Type	Through Hole
Output Impedance	2.2k Ω
Signal to Noise Ratio	60dB
Maximum Supply Current	0.5mA
Dimensions	4 x 1.5mm
Diameter	4mm
Height	1.5mm
Maximum Frequency	16kHz
Maximum Operating Temperature	+60°C
Minimum Frequency	50Hz
Minimum Operating Temperature	-20°C

Typical Frequency Response Curve

