



ENGLISH

Datasheet  
**Stock No.184-5575**  
**RS PRO Capacitive Sensor**



**Specifications:**

Mounting: Non-flush

Rated distance  $S_n$ : .....

Assured distance  $S_a$ : .....

Shape size: 34\*33\*20mm

Output way: NPN

Output status: NO

Supply voltage: 10...30 VDC

Applicable pipeline (tube): Non-metal, O. D.:  $\varnothing$  12...26; Wall thickness <1.0mm

Switch point offset [%/Sr]:  $\leq \pm 20\%$

Hysteresis range [%/Sr]: 3...20%

Repeated error:  $\leq 3\%$

Load current:  $\leq 200\text{mA}$

Residual voltage:  $\leq 2.5\text{V}$

Current consumption:  $\leq 15\text{mA}$

Protection circuit: Short-circuit, overload and Reverse polarity

Output indicator: Yellow LED

Ambient temperature:  $-10^\circ\text{C} \sim 55^\circ\text{C}$

Ambient humidity: 35-95%RH

Switch frequency: 60 Hz

High pressure resistance: 1000V/AC 50/60Hz 60s

Insulation resistance:  $\geq 50\text{M}\Omega(500\text{VDC})$

15/10/2019

Vibration resistance: Complex amplitude 1.5mm 10...50Hz(2H per X,Y,Z direction)

Protection degree: IP67

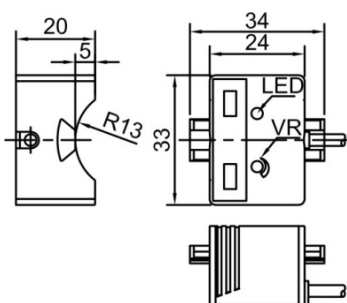
Housing material: PBT

Connection: 2m PVC cable

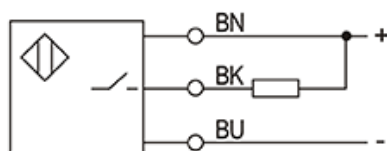
### Features:

- ◆ To detect various liquid level in nonmetal tubes / pipelines, U type design for easier installation and detection;
- ◆ Be able to detect various media via nonmetallic container;
- ◆ Widely applied in container detecting;

### Dimensions:



### Wiring diagram:



### Installation:

Non-flushed type cannot be mounted into metal plate. If there is metal plate opposite to sensor face, make sure distance between them should be  $\geq 3S_n$ . The distance between two parallel mounted sensor should be  $\geq 2D$ .

