

FEATURES

- Anodised aluminium construction
- Can be mounted in any orientation
- 120Cycles/min switching frequency
- Long mechanical life (10⁶ cycles at 70bar)
- 0.5A maximum load (at 25 VAC)
- Accuracy $\pm 1\%$ of set pressure
- Fixed Hysteresis 15% of full-scale reading
- Mechanical stops pressurisation
- Wide adjustment range

RS PRO Pressure Switch, G 1/4 5bar to 100 bar

RS Stock No.: 296-9995



RS Professionally Approved Products bring to you professional quality parts across all product categories. Our product range has been tested by engineers and provides a comparable quality to the leading brands without paying a premium price.

Product Description

From the trusted RS PRO brand, a series of adjustable pressure switches designed for hydraulic and pneumatic applications. Designed to detect a rise or fall in fluid pressure, the durable switches provide an electrical signal once the set point pressure is reached. Pre-set pressure is adjusted via a graduated knob which can be locked with a grub screw. Clockwise to increase the pressure and anti-clockwise to decrease the pressure. Mechanical stops protect both the spring and the micro-switch from over pressurisation.

General Specifications

Pressure Type	Positive Pressure
Suitable Media	Oil
Output Type	NO/NC
Connection	G1/4
Type	Adjustable
Manufacturer Series	K5
Connection Thread Standard	G
Contact Operation	Normally Closed; Normally Open;
LED Indicator	No
Applications	Pumps, Compressed air systems, Machine tools, Process control equipment, Sensors, Hydraulics and Pneumatics, Valves and switches

Electrical Specifications

Voltage Rating	250V ac
Contact Rating (ac)	5A @ 250V
Contact Rating (dc)	0.25 @ 250V
Maximum Load	0.5Ampere at 250 Volt AC

Mechanical Specifications

Body	Anodised aluminium construction
Switching Frequency	120cycles/min
Connection Thread Size	1/4in
Maximum Pressure Setting	300bar
Pressure Setting Range	0 to 300 bar
Minimum Pressure Setting	0bar
Switching Accuracy	Accuracy \pm 1% of set pressure
Mechanical Life	Long mechanical life (10 ⁶ cycles at 70bar)
Fixed Hysteresis	Fixed Hysteresis 15% of full-scale reading

Operation Environment Specifications

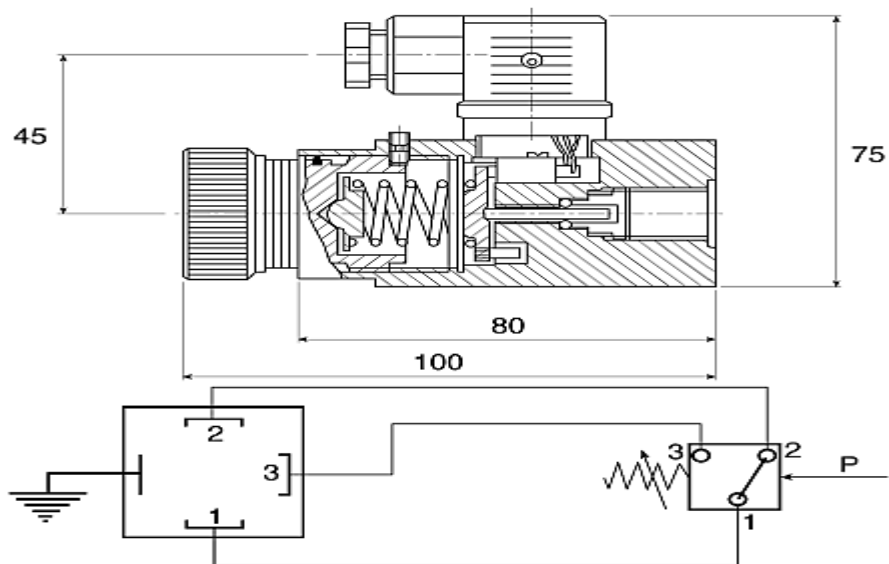
Minimum Operating Pressure	5bar
Maximum Operating Pressure	100bar
Minimum Operating Temperature	-20°C
Maximum Operating Temperature	80°C

Protection Category

IP Rating	IP65
Electric Protection	DIN43650

Approvals

Standard Met	RoHS Compliant
---------------------	----------------



Electrical Connection