

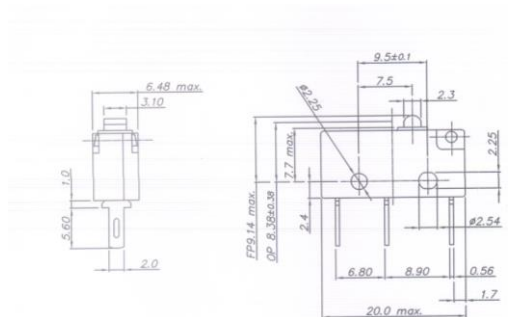
RS PRO Miniature Micro Switch

RS STOCK NUMBER - 2496858

FEATURES

- DESIGNED FOR APPLICATIONS WHERE STANDARD OPERATING FORCE IS REQUIRED.
- MOULDED FROM GLASS FILLED FLAME RETARDANT THERMOPLASTIC.
- CONFORM TO IEC 1508-1 STANDARD.

-  /  /  APPROVED.



RS Professionally Approved Products bring to you professional quality parts across all product categories. Our product range has been tested by engineers and provides a comparable quality to the leading brands without paying a premium price.

Product Description ATTRIBUTE 1

- *Plunger operated miniature micro switch.*
- *Single pole change over.*
- *Snap action mechanism.*
- *Fine silver contacts.*
- *Long mechanical & electrical life.*

General Specifications

Contact Configuration	SPDT
Contact Arrangement	1No + 1NC, snap action.
Contacts	Fine silver contacts.
Terminals	Copper alloy, silver plated.
Plunger	Thermoplastic.
Case	Glass filled flame retardant thermoplastic(UL94-V0).

Electrical Specifications

Electrical Rating		
	Load	Rating
	AC(Resistive)	5 A at 250V.
	DC(Resistive)	0.5 A at 125V or 0.25 A at 250V.
	DC(Inductive)	0.06 A at 125V or 0.03 A at 250V.
Contact Resistance		10 milliohms(max.).
Insulation Resistance		1000 Megaohms(min.).
Dielectric Strength		1 KV AC for one minute.
Electrical life		50,000 Operations.
Mechanical life		500,000 Operations.

Mechanical Specifications

Actuating Force (AF)	142gms. (max).
Release Force (RF)	28gms. (min.).
Free Position (FP)	9.14mm. (max.).
Operating Position (OP)	8.38±0.38 mm.
Pretravel	0.76 mm.(max).
Overtravel	Depress to case.
Movement Differential (MD)	0.10 mm.(max),
Mounting	Switches should be mounted on a flat surface using two M2 or #2 unified thread screws.
Unit Weight	1.8gms. Approx.
Salient Feature	Plain plunger actuator, 2 mm quick-connect tabs.

Operation Environment Specifications

Operating Temperature Range	-10°C to +70°C.
------------------------------------	-----------------

Protection Category

IP Rating	IP40(enclosure).
------------------	------------------

Approvals

Compliance/Certifications	 CE/c us/ UK/CA
----------------------------------	-------------------------------------------------------------------------------------------------------------