

Features

- Toggle Switch
- On-Off-On positions
- PCB Mount
- Solder tag termination
- Make and break cycle

RS PRO Sealed Miniature Toggle Switch

RS Stock No.: 734-7000



RS PRO Professionally Approved Products bring to you professional quality parts across all product categories. Our product range has been tested by engineers and provides a comparable quality to the leading brands without paying a premium price.

Product Description

RS PRO SPST PCB Mount Water Resistant Miniature Toggle Switch 250V is a high-quality sealed water-resistant toggle switch with a Single Pole Single Throw (SPST) configuration designed for an On-Off-On action. Constructed with a strong Stainless Steel case within a flame retardant Dially Phthalate housing holding a Chrome plated Brass switch for a tough toggle switch fit for industrial and commercial environments.

General Specifications

Case	Dially phthalate (DAP) UL94v-0)
Actuator	Brass, chrome plated
Bushing	Brass, nickel plated
Housing	Stainless steel
Contact/ Terminal	Silver or gold plated
Switch Support	Brass, tin plated

Electrical Specifications

Mechanical Life	20,000 make-and-break cycles.
Contact resistance	10m Ω max. Initial @ 2-4VDC 100mA for both silver and gold plated contacts.
Insulation Resistance	500V 500M Ω m
Dielectric Strength	1,000Vrms min. @ sea leve

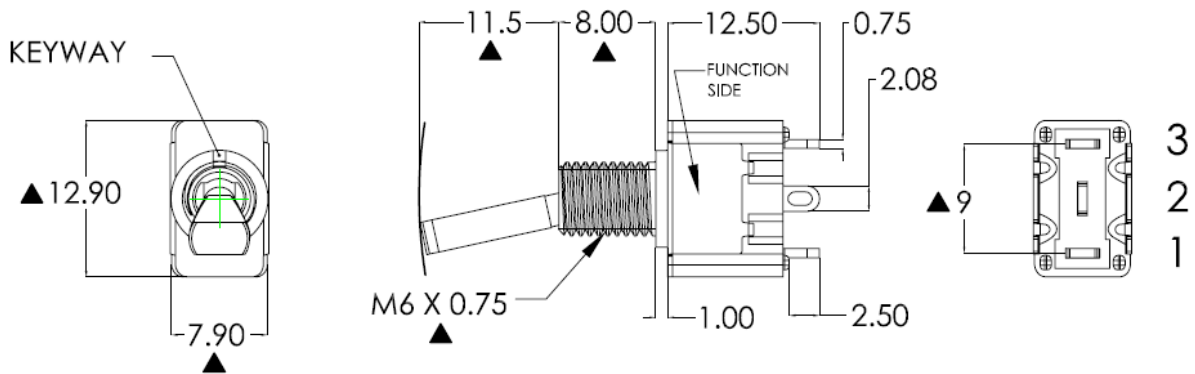
Operation Environment Specifications

Operating Temperature	-30°C to 85°C.
Water Resistance	100 make-and-break cycles min. at 10cm depth

Approvals

Compliance/ Certifications	RoHS; 2002/95/EC
----------------------------	------------------

Dimensions - inch
mm



Model No.	POS.1	POS.2	POS.3
1FS3	ON	OFF	ON
Term. Comm.	2-3	OPEN	2-1
SCHEMATIC			

SWITCH FUNCTION