

FEATURES

- Finished in stylish, smooth anodised aluminium

- Reverse panel fixing

- Professional looking design

- Easy to clean and maintain

- Made up of durable diecast aluminium

RS PRO Anodised Silver Aluminium Concealed Fixings Drawer Handle, 140mm

RS Stock No.: 456-539



RS Professionally Approved Products bring to you professional quality parts across all product categories. Our product range has been tested by engineers and provides a comparable quality to the leading brands without paying a premium price.

Product Description

Introducing the excellent quality Drawer Handles from RS PRO. These stylish looking handles are made from quality diecast aluminium. Finished in anodised aluminium, a smooth, slim rectangular shaped face that sits on robust rectangular feet to provide sturdy and secure fixing to drawer or door fronts. These aluminium cupboard handles are suitable to be used in a wide range of application. Machined threads for fixing with M6 screws ensure safe operation and ease of mounting.

General Specifications

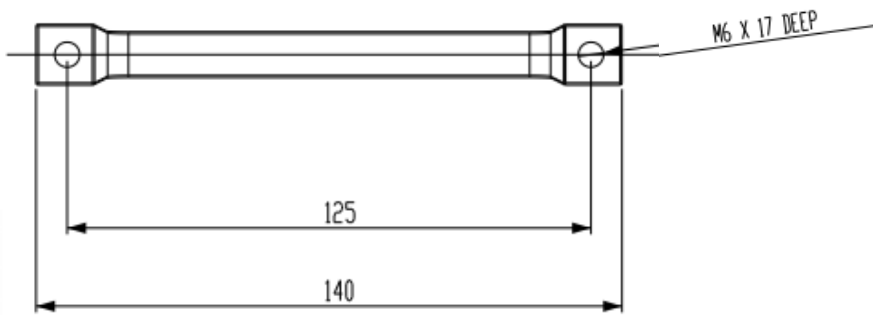
Material	Aluminium
Finish	Anodised
Concealed Fixings	Yes
Colour	Silver
Application	They can be used as drawer handles or door handles with wooden, metal or any other type of furniture

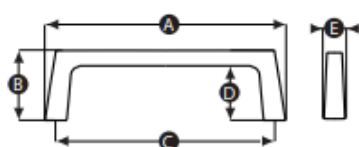
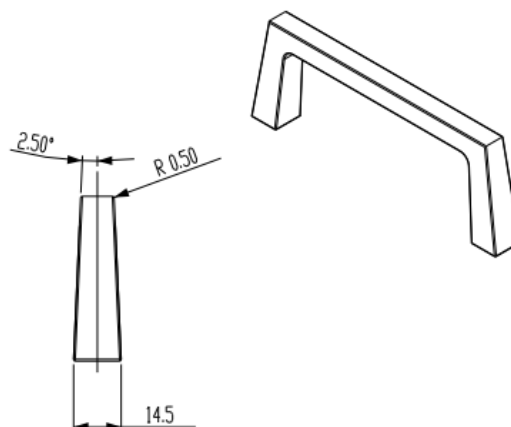
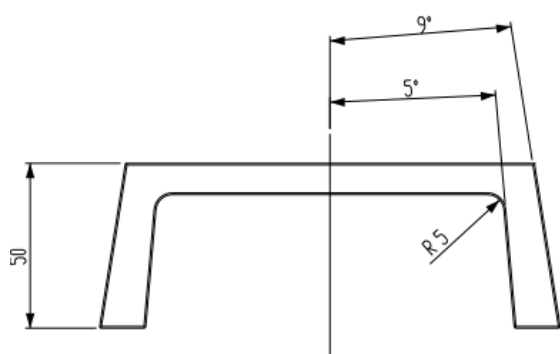
Mechanical Specifications

Length	140mm
Height	50mm
Width	14.5mm
Fixing Centres	125mm
Thread Type	Machined threads/M6

Approvals

Compliance/Certifications	2011/65/EU and 2015/863
----------------------------------	-------------------------





Part No.	A	B	C	D	E	Thread size
456535	110.5	32	100	25	11	M6
456539	140	50	125	40	15	M6
456573	148	40	130	30	19	M6